

SOURIAU

JBX SERIES



Push-Pull Coupling Mechanism







## Contents

### Overview

Typical Applications .....	06
Features & Benefits .....	07
Range Overview .....	08
Layouts .....	10
General Technical Characteristics .....	12

### Connector

2 contacts .....	16
3 contacts .....	36
4 contacts .....	56
5 contacts .....	80
6 contacts .....	96
7 contacts .....	112
8 contacts .....	132
9 contacts .....	158
10 contacts .....	164
12 contacts .....	184
14 contacts .....	194
16 contacts .....	198
18 contacts .....	204
19 contacts .....	214
22 contacts .....	220
30 contacts .....	224

### Contacts

Description .....	230
Packaging .....	230
Solder Contacts .....	231
Crimp Contacts .....	232
Straight PCB Contacts .....	233
90° PCB Contacts .....	234
Tooling .....	235

### Technical Information

Receptacle Assembly Instructions .....	240
Plug Assembly Instructions .....	245
Collets Selection According to Cable Diameters .....	251
Rated Current & Working Voltage .....	252
UL94 + UL1977 .....	253
What is NEMA Rating ? .....	257
Ethernet for the Layman .....	258

### Appendices

Glossary of Terms .....	262
Drilling Pattern .....	263
Part Number Index .....	271

# JBX SERIES

# Overview

■ Typical Applications .....	06
■ Features & Benefits .....	07
■ Range Overview .....	08
■ Layouts .....	10
■ General Technical Characteristics .....	12

## Typical Applications



Medical



Robotics - Machine tools



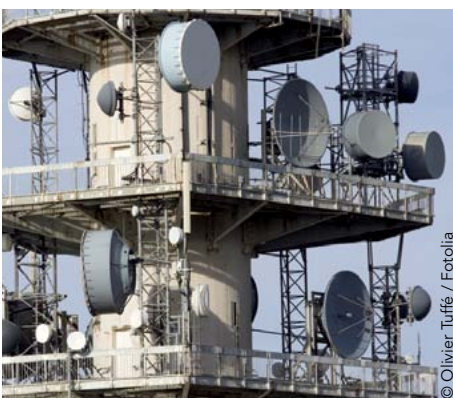
Building Automation & Control



Instrumentation / Measurement



Off road - Mining - Railway



Telecom - Data infrastructure

## Features & Benefits

### WATER PROOF

#### IP68 in Mated and Unmated Conditions

Ideal for outdoor applications with temporary or continuous water immersion and dust protection.

### SIGNAL INTEGRITY

#### 360° EMI Shielded

Less than 5mΩ: Qualified and Compatible to be used in electromagnetic radiation areas and ensures proper signal integrity and transmission.

### SPACE SAVING

#### High Density Layouts

Ideal for compact devices due to small footprint. The use of 0.5mm contacts along with miniature housing makes it suitable for tight applications.

### RELIABLE MATING

#### Push Pull Locking Mechanism

Only requires two fingers to mate/unmate securely with an audible, tactile and visual indicator, capable of mating over 5,000 times.

### COST SAVINGS

#### Mixed Power & Signal Layouts

Power supply and transmission can be combined in a unique interconnection solution to reduce system complexity and minimize component/installation costs.

**JBX IP40**

**Protective Boot**



**Choice of Contact termination**

- Crimp
- Solder

**Plug**



FC: Right Angle Plug



FD: Straight Plug



FG: Breakaway Plug



FF: Straight Plug no Latch with Black Boot



FN: Straight Plug with Lanyard



FM: Right Angle Plug with Lanyard

**Receptacle**



EA: Double Nut Receptacle\*



ED: Protuding Front Mount



EP: Rear Mount Receptacle\*



ER: Front Mount Receptacle



EZ: Rear Mount Receptacle with Mounting Pins



PC: In Line Cable Receptacle



SA: Rear Mount Cable Receptacle



SR: Front Mount Cable Receptacle

**Choice of Contact termination**

- Crimp
- Straight PCB Tails
- Solder
- 90° PCB Tails

**Protective Boot**



\* available with 90° PCB tails

Overview

### JBX IP68

#### Protective Boot



#### Choice of Contact termination

- Crimp
- Solder

#### Plug

(Available in size 0 and 2)



FH: Straight Plug

#### Receptacle

(Available in size 0 and 2)

HC: Rear Mount Receptacle\*  
Available size 0



HD: Protuding Front Mount Receptacle  
Available size 0



HH: Front Mount Extended Receptacle  
Available size 0 & 2



EC: Double Nut, Front or Rear Mount Receptacle \*  
Available size 2



#### Choice of Contact termination

- Crimp
- Straight PCB Tails
- Solder
- 90° PCB Tails

Available for JBX IP40 and JBX IP68



**Boot Version**

Example: JBXFG0G02MCSDSMR

+





















**Boot**

Example: JBX0MPR

=



**Layouts** (Electrical parameter according to UL1977)

Shell size	Contact Ø 0.5	Contact Ø 0.7	Contact Ø 0.9	Contact Ø 01.3	Contact Ø 1.6	Contact Ø 2.0
00	<p>2 contacts 2A 500V</p>  <p>Page 16</p>					
	<p>4 contacts 2A 500V</p>  <p>Page 56</p>					
0	<p>6 contacts 2.5A 320V</p>  <p>Page 96</p>	<p>4 contacts 7A 660V</p>  <p>Page 60</p>	<p>2 contacts 10A 660V</p>  <p>Page 20</p>			
	<p>7 contacts 2.5A 320V</p>  <p>Page 112</p>	<p>5 contacts 6.5A 400V</p>  <p>Page 80</p>	<p>3 contacts 8A 600V</p>  <p>Page 36</p>			
	<p>8 contacts 2A 190V</p>  <p>Page 132</p>					
1	<p>10 contacts 2.5A 300V</p>  <p>Page 164</p>	<p>6 contacts 7A 660V</p>  <p>Page 102</p>	<p>4 contacts 10A 900V</p>  <p>Page 66</p>	<p>2 contacts 15A 760V</p>  <p>Page 26</p>		
	<p>12 contacts 2.5A 170V</p>  <p>Page 184</p>	<p>7 contacts 7A 660V</p>  <p>Page 118</p>	<p>5 contacts 9A 660V</p>  <p>Page 86</p>	<p>3 contacts 12A 600V</p>  <p>Page 42</p>		
			<p>8 contacts 5A 600V</p>  <p>Page 138</p>			

Note: Contacts are numbered Counterclockwise in the plug and clock wise in the receptacle.



# JBX Series | Overview

Contacts Ø 0.5:  
Solder wire: 30 maxi

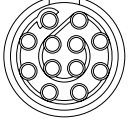
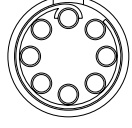
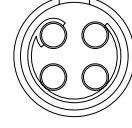

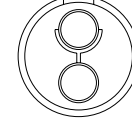
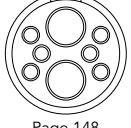
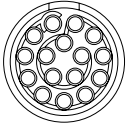
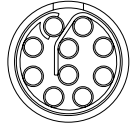
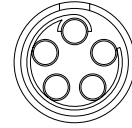


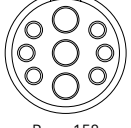

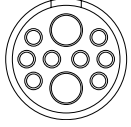
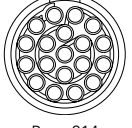
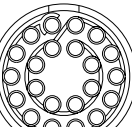
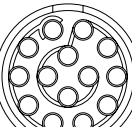

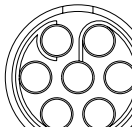
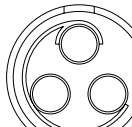
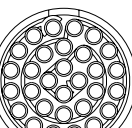

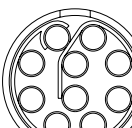
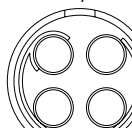
Contacts Ø 0.7:  
Solder wire: 26 maxi  
Crimp wire: 22 maxi

Contacts Ø 0.9:  
Solder wire: 24 maxi  
Crimp wire: 20 maxi

Contacts Ø 1.3:  
Solder wire: 20 maxi  
Crimp wire: 18 maxi

Contacts Ø 1.6:  
Solder wire: 18 maxi  
Crimp wire: 14 maxi

Contacts Ø 2.0:  
Solder wire: 16 maxi  
Crimp wire: 12 maxi

Shell size	Contact Ø 0.7	Contact Ø 0.9	Contact Ø 1.3	Contact Ø 1.6	Contact Ø 2.0	Mixed Contact
2	12 contacts 7A 830V  Page 188	8 contacts 10A 830V  Page 142	4 contacts 15A 1,000V  Page 70	3 contacts 17A 830V  Page 46	2 contacts 30A 1,000V  Page 30	8 contacts 26A 700V 6 x Ø 0.7 2 x Ø 2.0  Page 148
	16 contacts 6A 730V  Page 198	10 contacts 8A 830V  Page 168	5 contacts 14A 900V  Page 90	6 contacts 12A 900V  Page 106	7 contacts 11A 730V  Page 122	9 contacts 26A 700V 6 x Ø 0.7 3 x Ø 1.3  Page 158
	18 contacts 5.5A 660V  Page 204					10 contacts 17A 700V 8 x Ø 0.7 2 x Ø 1.6  Page 174
	19 contacts 5A 660V  Page 214					
3	22 contacts 5.5A 560V  Page 220	14 contacts 9A 830V  Page 194	8 contacts 12A 830V  Page 154	7 contacts 15A 1,000V  Page 128	3 contacts 25A 1,600V  Page 52	
	30 contacts 3.5A 400V  Page 224	18 contacts 7A 660V  Page 210	10 contacts 12A 600V  Page 180		4 contacts 25A 1,100V  Page 76	

JBX Sealed in Unmated Condition

All dimensions are in mm

## General technical characteristics



### Materials

- **Outer shell and collet nut:** Brass
- **Latching sleeve:** Brass
- **Shielding ring:** Brass
- **Nut:** Brass
- **Half bushes:** Brass
- **Clip:** Beryllium copper
- **Insert:** PEEK
- **Collet:** PA 6/6 + MoS2
- **Cable seal:** Silicon rubber
- **Contacts:** See every layout pages
- **Halogen free**
- **ROHS compliant**



### Environmental

- **Operating temperature:**  
from -40°C to +125°C
- **Flammability rating:**  
UL94 V-0
- **Salt spray:**  
per MIL-STD-202 method 101  
- 48 h (nickel chrome)  
- 96 h (black anodized coupling ring)  
Higher salt spray resistance (200/500 h) upon request
- **Sealing:**  
- Dynamic IP40 / IP68 in mated condition  
- Sealed IP68 connectors in unmated condition are marked with the symbol "▲". Please refer to the connector section.
- **Fluid resistance:**  
- Gas and oil  
- Mineral oil  
- Acid bath  
- Basic bath
- **Shielding effectiveness:**  
55 dB up to 100 MHz

### Electrical



- **In accordance with:**  
- UL 1977: Certificate ECBT2  
File number: E169916  
- CSA C22.2: Certificate ECBT8  
File number E169916
- Also see pages 10 & 11

### Mechanical

- **Durability:**  
> 5,000 cycles per IEC 61984 group B
- **Vibration resistance:**  
10 - 2,000 Hz, acceleration 15 g, contact Ø 0.7 mm and 0.9 mm  
10 - 2,000 Hz, acceleration 20 g, contact Ø 1.3 mm - 1.6 mm and 2 mm  
Per MIL-STD-1344A method 2005.1
- **Thermal shock:**  
5 cycles 30 min. from -40°C to 105°C  
Per MIL-STD-202 method 207
- **Mechanical shock:**  
50 g, duration 6 ms ; contact Ø 0.7 mm and 0.9 mm  
100 g, duration 6 ms ; contact Ø 1.3 mm - 1.6 mm and 2 mm  
Per MIL-STD-1344A method 20004.1
- **Discrimination/Keying:**  
To eliminate mismatching, JBX connectors are offered with discrimination keys to avoid interconnection system errors.  
Please consult us for more information.



# JBX SERIES

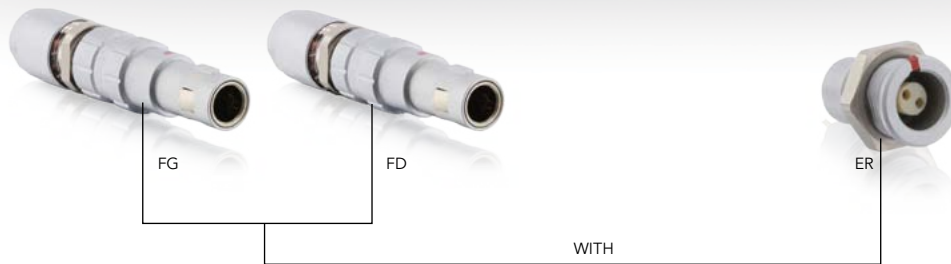
## JBX Series

# Connector

2 contacts	JBX00-02:	2A	500V	16
	JBX0-02:	10A	660V	20
	JBX1-02:	15A	760V	26
	JBX2-02:	30A	1,000V	30
3 contacts	JBX0-03:	8A	600V	36
	JBX1-03:	12A	600V	42
	JBX2-03:	17A	830V	46
	JBX3-03:	25A	1,600V	52
4 contacts	JBX00-04:	2A	500V	56
	JBX0-04:	7A	660V	60
	JBX1-04:	10A	900V	66
	JBX2-04:	15A	1,000V	70
	JBX3-04:	25A	1,100V	76
5 contacts	JBX0-05:	6.5A	400V	80
	JBX1-05:	9A	660V	86
	JBX2-05:	14A	900V	90
6 contacts	JBX0-06:	2.5A	320V	96
	JBX1-06:	7A	660V	102
	JBX2-06:	12A	900V	106
7 contacts	JBX0-07:	2.5A	320V	112
	JBX1-07:	7A	660V	118
	JBX2-07:	11A	730V	122
	JBX3-07:	15A	1,000V	128
8 contacts	JBX0-08:	2A	190V	132
	JBX1-08:	5A	600V	138
	JBX2-08:	10A	830V	142
	JBX2-001:	26A	700V	148
	JBX3-08:	12A	830V	154
9 contacts	JBX2-002:	26A	700V	158
10 contacts	JBX1-10:	2.5A	300V	164
	JBX2-10:	8A	830V	168
	JBX2-003:	17A	700V	174
	JBX3-10:	12A	600V	180
12 contacts	JBX1-12:	2.5A	170V	184
	JBX2-12:	7A	830V	188
14 contacts	JBX3-14:	9A	830V	194
16 contacts	JBX2-16:	6A	730V	198
18 contacts	JBX2-18:	5.5A	660V	204
	JBX3-18:	7A	660V	210
19 contacts	JBX2-19:	5A	660V	214
22 contacts	JBX3-22:	5.5A	560V	220
30 contacts	JBX3-30:	3.5A	400V	224

Electrical parameters according to UL1977

**JBX00-02 - IP40 (2 x Ø 0.5mm)**



Layout



**Connector IP40 Part Number**

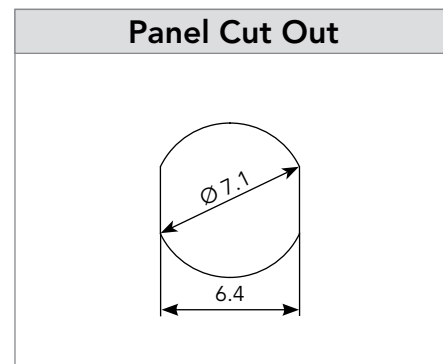
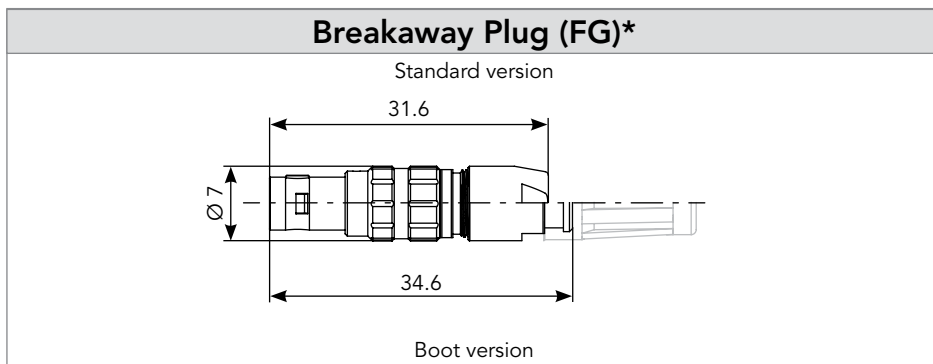
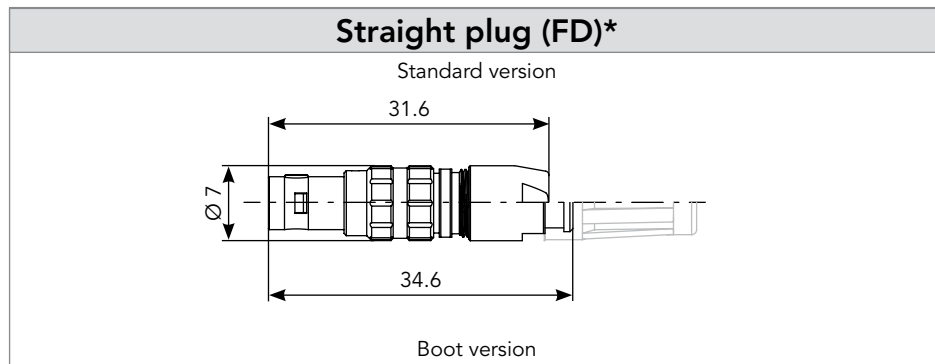
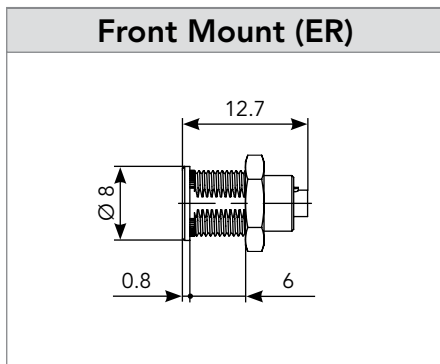
Contact type	Connector type	Description	Part number <sup>(1)</sup>	
			Male insert	Female insert
Solder contacts see page 19	Receptacle	Front mount (ER)	<b>JBXER00G02MSSDSR</b>	<b>JBXER00G02FSSDSR</b>
	Plug	Straight plug (FD) *	<b>JBXFD00G02MSSDSR</b>	<b>JBXFD00G02FSSDSR</b>
		Breakaway plug (FG) *	<b>JBXFG00G02MSSDSR</b>	<b>JBXFG00G02FSSDSR</b>

\* In order to get the back nut for protective boot please add «M» after the last «S». Example: JBX Straight Plug, size 00, 2 solder contacts, male insert = JBXFD00G02MSSDSMR. The protective boot need to be ordered separately, see page accessories.

(1): In order to get a black Chrome over Nickel please replace «S» before the «D» by one «N». Example: JBX Straight Plug, size 00, 2 solder contacts, male insert = JBXFD00G02MSNDSR.

**JBX00-02 - IP40** (2 x Ø 0.5mm)

**Dimensions** (For mated connector lengths see page 19)



**JBX00-02 - IP40 (2 x Ø 0.5mm)**

**Accessories**

**Receptacle Dust Cap**




Part number  
**JBXBR00**

**Plug Dust Cap**




Part number  
**JBXBF00**

**Grounding Washer**



Part number  
**JAXRA00251**

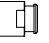
**Insulating Washer**




Part number	Color
<b>JBX00RIA</b>	Blue
<b>JBX00RIB</b>	White
<b>JBX00RIG</b>	Grey
<b>JBX00RIJ</b>	Yellow
<b>JBX00RIM</b>	Brown
<b>JBX00RIN</b>	Black
<b>JBX00RIR</b>	Red
<b>JBX00RIV</b>	Green
<b>JBX00RIO</b>	Orange

Note : Insulating washers are not compatible with the IP68 versions

**Protective Boot**

Available only for FD & FG, with back nut protective boot 



Part number	Color
<b>JBX00MPA</b>	Blue
<b>JBX00MPB</b>	White
<b>JBX00MPG</b>	Grey
<b>JBX00MPJ</b>	Yellow
<b>JBX00MPM</b>	Brown
<b>JBX00MPN</b>	Black
<b>JBX00MPR</b>	Red
<b>JBX00MPV</b>	Green
<b>JBX00MPO</b>	Orange

The overall length is 12 mm longer with the protective boot.

Note: The protective boot is not a sealing element.



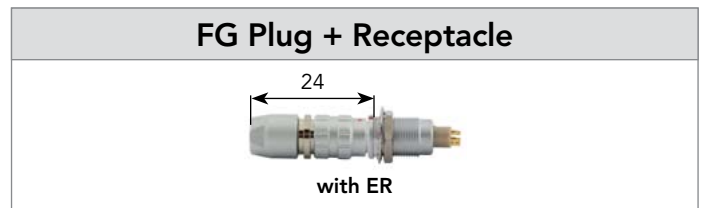
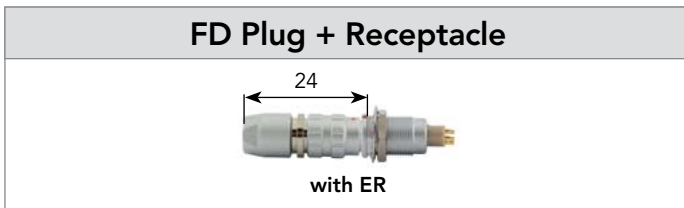
## JBX00-02 - IP40 (2 x Ø 0.5mm)

### Contacts

Ø 0.5 mm	Contact type	Plating	Contact locking type	AWG - Wire max.
Solder	Machined	0.5 µm gold over 3 to 5 µm Ni	Fixed	30

For more information see page 231

### Mated Connector Length

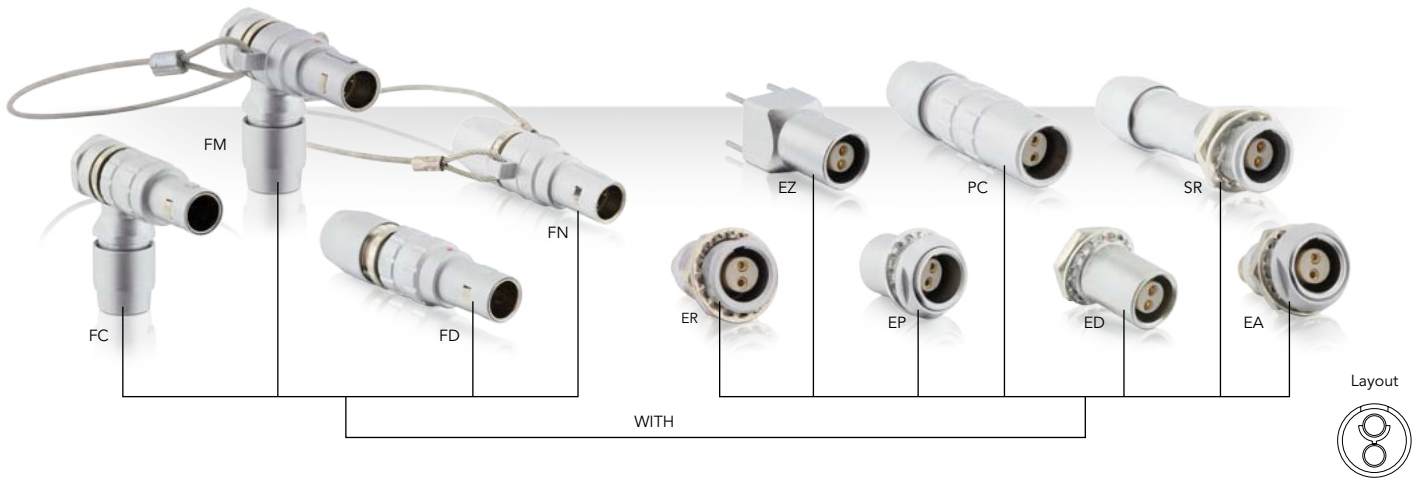


### Electrical Characteristics

**UL**  
2A 500V UL94 V-0

Note: all dimensions are in mm

**JBX0-02 - IP40 (2 x Ø 0.9 mm) - See waterproof IP68 version page 22**



**Connector Part Number**

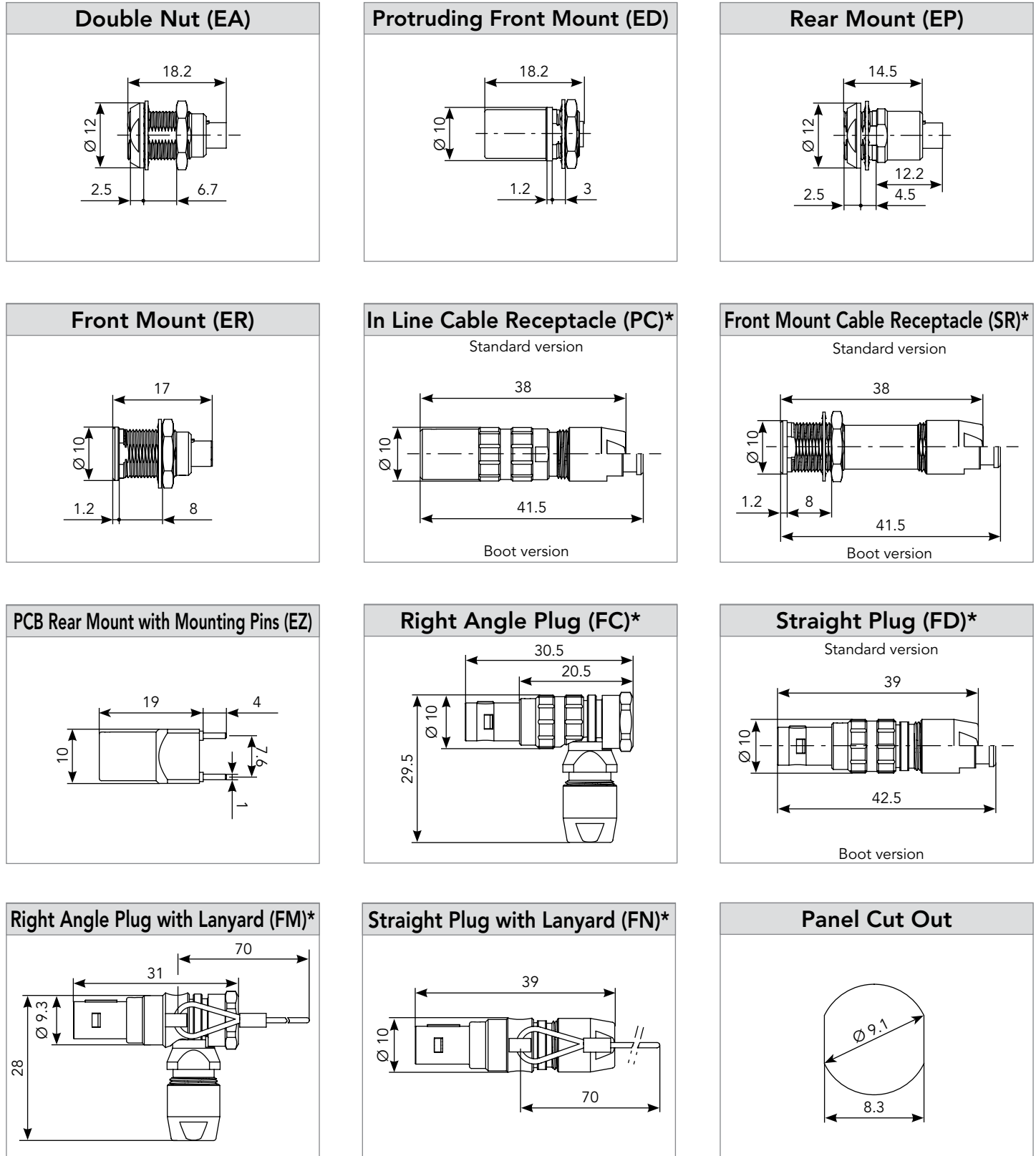
Contact type	Connector type	Description	Part number <sup>(1)</sup>	
			Male insert	Female insert
Solder contacts see page 25	Receptacle	Double nut (EA)	<b>JBXEA0G02MSSDS</b>	<b>JBXEA0G02FSSDS</b>
		Protruding front mount (ED)	<b>JBXED0G02MSSDSR</b>	<b>JBXED0G02FSSDSR</b>
		Rear mount (EP)	<b>JBXEP0G02MSSDS</b>	<b>JBXEP0G02FSSDS</b>
		Front mount (ER)	<b>JBXER0G02MSSDSR</b>	<b>JBXER0G02FSSDSR</b>
		In line cable (PC) *	<b>JBXPC0G02MSSDSR</b>	<b>JBXPC0G02FSSDSR</b>
	Plug	Right angle plug (FC) *	<b>JBXFC0G02MSSDSR</b>	<b>JBXFC0G02FSSDSR</b>
		Straight plug (FD) *	<b>JBXFD0G02MSSDSR</b>	<b>JBXFD0G02FSSDSR</b>
		Right Angle plug with lanyard (FM) *	<b>JBXFM0G02MSSDSR</b>	<b>JBXFM0G02FSSDSR</b>
Crimp contacts see page 25	Receptacle	Double nut (EA)	<b>JBXEA0G02MCSDS</b>	<b>JBXEA0G02FCSDS</b>
		Protruding front mount (ED)	<b>JBXED0G02MCSDSR</b>	<b>JBXED0G02FCSDSR</b>
		Rear mount (EP)	<b>JBXEP0G02MCSDS</b>	<b>JBXEP0G02FCSDS</b>
		Front mount (ER)	<b>JBXER0G02MCSDSR</b>	<b>JBXER0G02FCSDSR</b>
		In line cable (PC) *	<b>JBXPC0G02MCSDSR</b>	<b>JBXPC0G02FCSDSR</b>
	Plug	Front mount cable (SR) *	<b>JBXSR0G02MCSDSR</b>	<b>JBXSR0G02FCSDSR</b>
		Right angle plug (FC) *	<b>JBXFC0G02MCSDSR</b>	<b>JBXFC0G02FCSDSR</b>
		Straight plug (FD) *	<b>JBXFD0G02MCSDSR</b>	<b>JBXFD0G02FCSDSR</b>
Straight PCB contacts see page 25	Receptacle	Double nut (EA)	-	<b>JBXEA0G02FPSDS</b>
		Rear mount (EP)	-	<b>JBXEP0G02FPSDS</b>
		PCB rear mount with mounting pins (EZ)	-	<b>JBXEZ0G02FPSDSR</b>
90° PCB contacts see page 25	Receptacle	Double nut (EA)	-	<b>JBXEA0G02FQSDS</b>
		Protruding front mount (ED)	-	<b>JBXED0G02FQSDSR</b>
		Rear mount (EP)	-	<b>JBXEP0G02FQSDS</b>

\* In order to get the back nut for protective boot please add «M» after the last «S». Example: JBX Straight Plug, size 0, 2 solder contacts, male insert = JBXFD0G02MSSDSMR.   : First choice  
The protective boot need to be ordered separately, see page accessories.

(1): In order to get a black Chrome over Nickel please replace «S» before the «D» by one «N». Example: JBX Straight Plug, size 0, 2 solder contacts, male insert = JBXFD0G02MSNDSR.

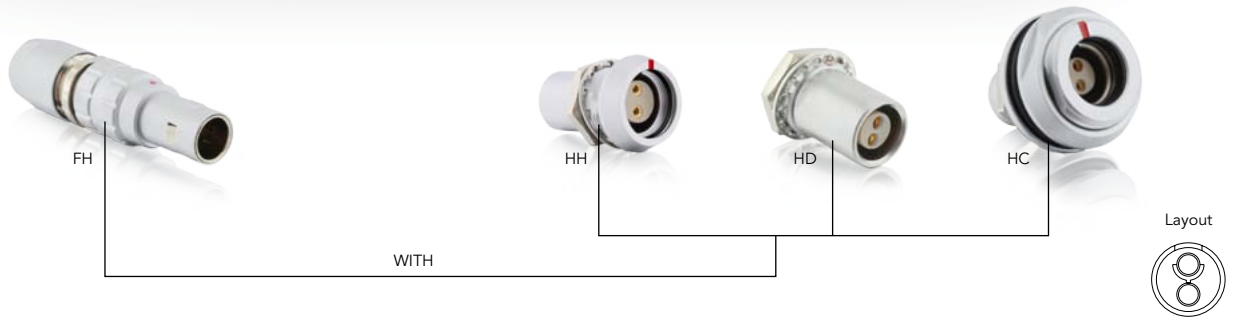
**JBX0-02 - IP40** (2 x Ø 0.9 mm) - See waterproof IP68 version page 22

**Dimensions** (For mated connector lengths see page 25)



Note: all dimensions are in mm

**JBX0-02 - IP68** (2 x Ø 0.9 mm) - See non sealed IP40 version page 20



**Connector Part Number**

Contact type	Connector type	Description	Part number <sup>(1)</sup>	
			Male insert	Female insert
Solder contacts see page 25	Receptacle	Rear mount (HC) ☁	<b>JBXHC0G02MSSDSR</b>	<b>JBXHC0G02FSSDSR</b>
		Protruding front mount (HD) ☁	<b>JBXHD0G02MSSDSR</b>	<b>JBXHD0G02FSSDSR</b>
		Front mount extended (HH) ☁	<b>JBXHH0G02MSSDSR</b>	<b>JBXHH0G02FSSDSR</b>
	Plug	Straight plug (FH) *	<b>JBXFH0G02MSSDSR</b>	<b>JBXFH0G02FSSDSR</b>
Crimp contacts see page 25	Receptacle	Protruding front mount (HD)	<b>JBXHD0G02MCSDSR</b>	<b>JBXHD0G02FCSDSR</b>
		Front mount extended (HH)	<b>JBXHH0G02MCSDSR</b>	<b>JBXHH0G02FCSDSR</b>
	Plug	Straight plug (FH) * ☁	<b>JBXFH0G02MCSDSR</b>	<b>JBXFH0G02FCSDSR</b>
Straight PCB contacts see page 25	Receptacle	Rear mount (HC) ☁	-	<b>JBXHC0G02FPSDSR</b>

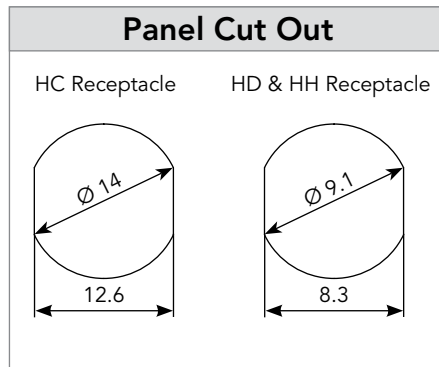
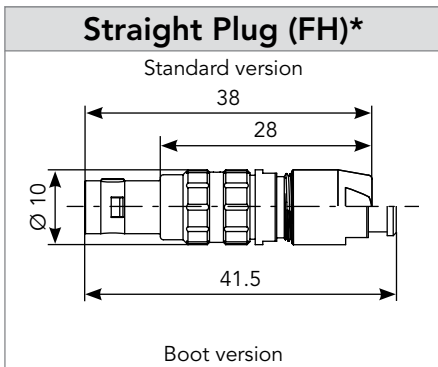
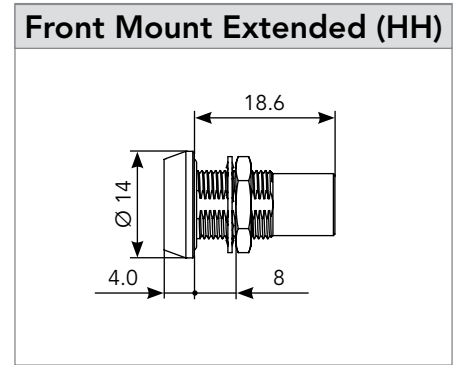
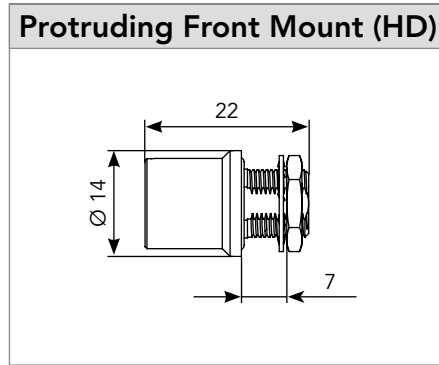
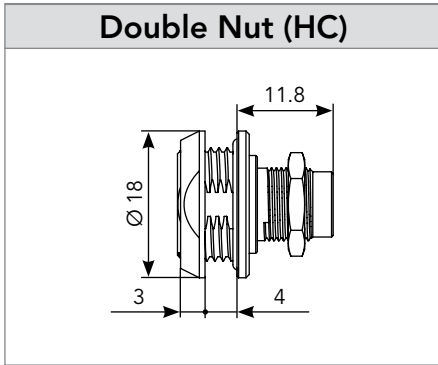
\* In order to get the back nut for protective boot please add «M» after the last «S». Example: JBX Straight Plug, size 0, 2 solder contacts, male insert = JBXFH0G02MSSDSMR. ☐ : First choice  
 The protective boot need to be ordered separately, see page accessories.

1: In order to get a black Chrome over Nickel please replace «S» before the «D» by one «N». Example: JBX Straight Plug, size 0, 2 solder contacts, male insert = JBXFH0G02MSNDSR.

☁ : Sealed in Unmated Condition

**JBX0-02 - IP68** (2 x Ø 0.9 mm) - See non sealed IP40 version page 20

**Dimensions** (For mated connector lengths see page 25)



Note: all dimensions are in mm

## JBX0-02 - IP40 & IP68 (2 x Ø 0.9 mm)

### Accessories

**Receptacle Dust Cap**




Part number
<b>JBXBRØ</b>

**Plug Dust Cap**




Part number
<b>JBXBFØ</b>

**Grounding Washer**



Part number
<b>JAXRAØ251</b>

**Insulating Washer**



Part number	Color
<b>JBXØRIA</b>	Blue
<b>JBXØRIB</b>	White
<b>JBXØRIG</b>	Grey
<b>JBXØRIJ</b>	Yellow
<b>JBXØRIM</b>	Brown
<b>JBXØRIN</b>	Black
<b>JBXØRIR</b>	Red
<b>JBXØRIV</b>	Green
<b>JBXØRIO</b>	Orange

Note : Insulating washers are not compatible with the IP68 versions

**Protective Boot**

Available only for PC - FC - FD - FM - FN - SR - FH, with back nut protective boot 



Part number	Color
<b>JBXØMPA</b>	Blue
<b>JBXØMPB</b>	White
<b>JBXØMPG</b>	Grey
<b>JBXØMPJ</b>	Yellow
<b>JBXØMPM</b>	Brown
<b>JBXØMPN</b>	Black
<b>JBXØMPR</b>	Red
<b>JBXØMPV</b>	Green
<b>JBXØMPO</b>	Orange

The overall length is 17 mm longer with the protective boot.  
Note: The protective boot is not a sealing element.


### Tooling

**Crimp Tooling**



Part number
<b>MIL-22520/7-01</b>

**Locator**



Part number	
Male	Female
<b>JBXØOUTLPØ9</b>	<b>JBXØOUTLSØ9</b>

**Extraction Tool**



Part number
<b>JBXOUTDCØ9</b>

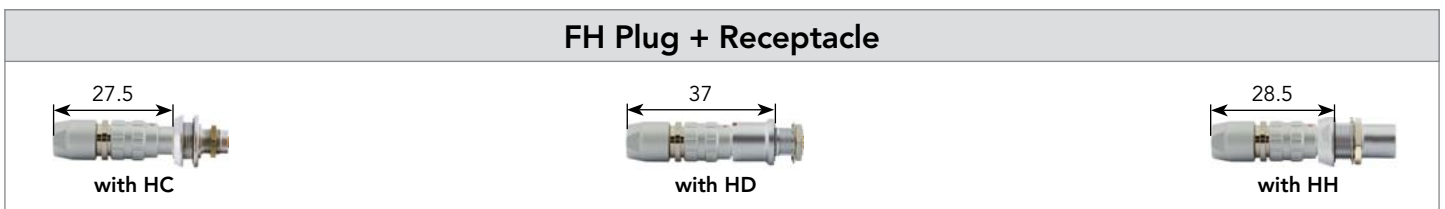
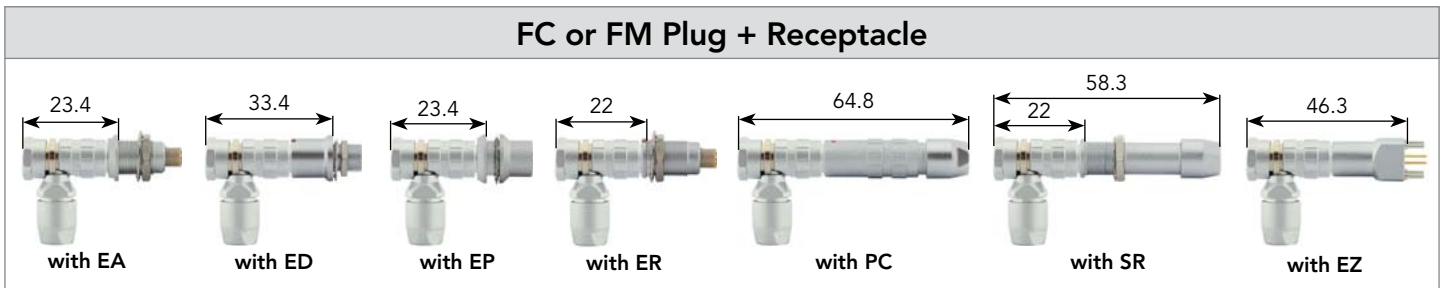
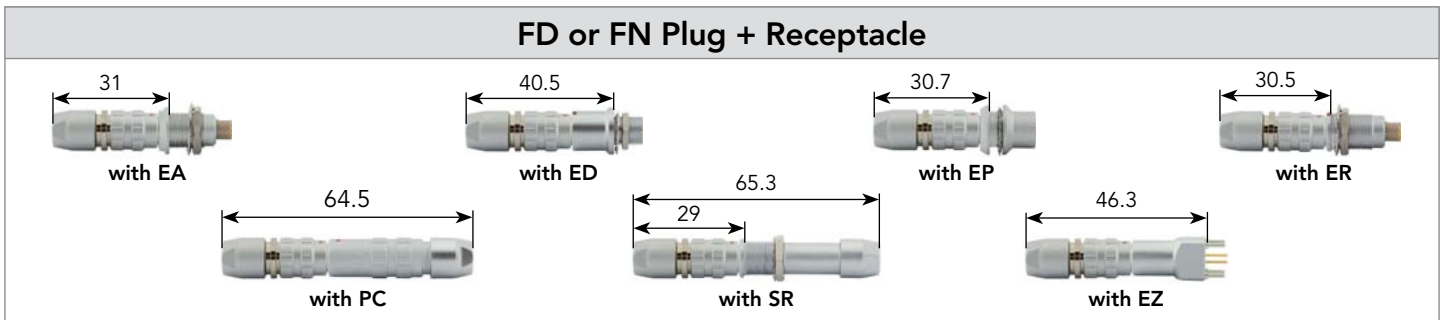
## JBX0-02 - IP40 & IP68 (2 x Ø 0.9 mm)

### Contacts

Ø 0.9 mm	Contact type	Plating	Contact locking type	AWG
Solder	Machined	0.5 µm gold over 3 to 5 µm Ni	Removable	24
Crimp	Machined	0.5 µm gold over 3 to 5 µm Ni	Removable	20 - 22 - 24
Straight PCB	Machined	0.5 µm gold over 3 to 5 µm Ni	Fixed	-
90° PCB	Machined	0.5 µm gold over 3 to 5 µm Ni	Removable	-

For more information see pages 231 to 234

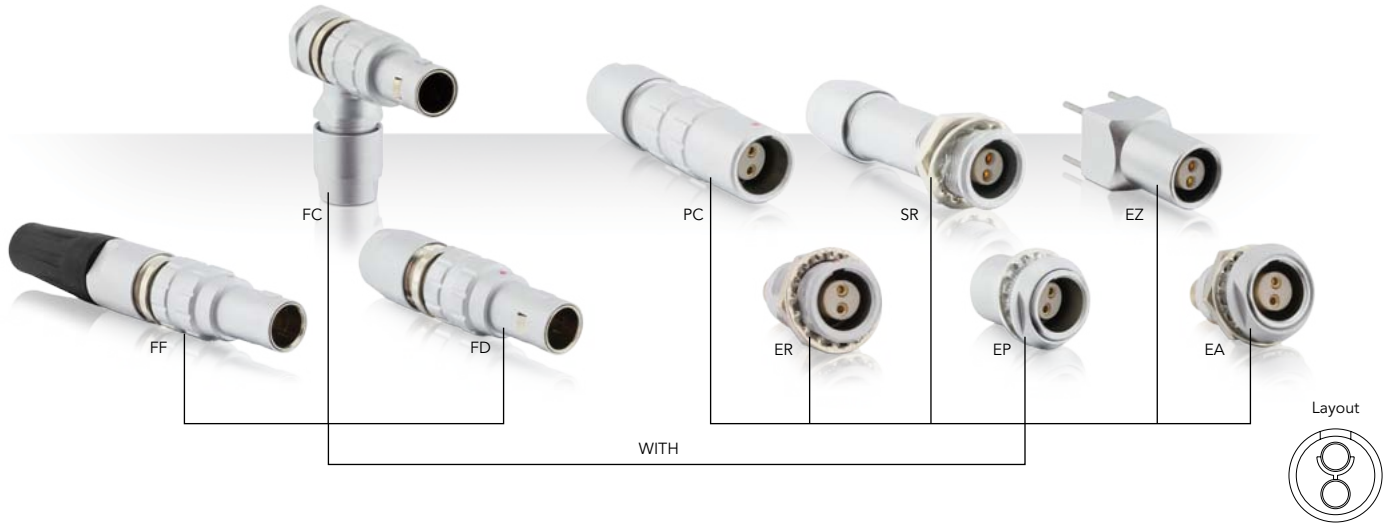
### Mated Connector Length



Electrical Characteristics
<p><b>UL</b> 10A 660V UL94 V-0</p>

Note: all dimensions are in mm

**JBX1-02 - IP40 (2 x Ø 1.3 mm)**



**Connector Part Number**

Contact type	Connector type	Description	Part number <sup>(1)</sup>	
			Male insert	Female insert
Solder contacts see page 29	Receptacle	Double nut (EA)	<b>JBXEA1G02MSSDS</b>	<b>JBXEA1G02FSSDS</b>
		Rear mount (EP)	<b>JBXEP1G02MSSDS</b>	<b>JBXEP1G02FSSDS</b>
		Front mount (ER)	<b>JBXER1G02MSSDSR</b>	<b>JBXER1G02FSSDSR</b>
		In line cable (PC) *	<b>JBXPC1G02MSSDSR</b>	<b>JBXPC1G02FSSDSR</b>
		Front mount cable (SR) *	<b>JBXSR1G02MSSDSR</b>	<b>JBXSR1G02FSSDSR</b>
	Plug	Straight plug (FD) *	<b>JBXFD1G02MSSDSR</b>	<b>JBXFD1G02FSSDSR</b>
Straight plug no latch with black protective boot (FF)		<b>JBXFF1G02MSSDSR</b>	<b>JBXFF1G02FSSDSR</b>	
Crimp contacts see page 29	Receptacle	Double nut (EA)	<b>JBXEA1G02MCSDS</b>	<b>JBXEA1G02FCSDS</b>
		Front mount (ER)	<b>JBXER1G02MCSDSR</b>	<b>JBXER1G02FCSDSR</b>
		In line cable (PC) *	<b>JBXPC1G02MCSDSR</b>	<b>JBXPC1G02FCSDSR</b>
	Plug	Right angle plug (FC) *	<b>JBXFC1G02MCSDSR</b>	<b>JBXFC1G02FCSDSR</b>
		Straight plug (FD) *	<b>JBXFD1G02MCSDSR</b>	<b>JBXFD1G02FCSDSR</b>
Straight PCB contacts see page 29	Receptacle	Double nut (EA)	-	<b>JBXEA1G02FPSDS</b>
		Front mount (ER)	-	<b>JBXER1G02FPSDSR</b>
		PCB rear mount with mounting pins (EZ)	-	<b>JBXEZ1G02FPSDSR</b>

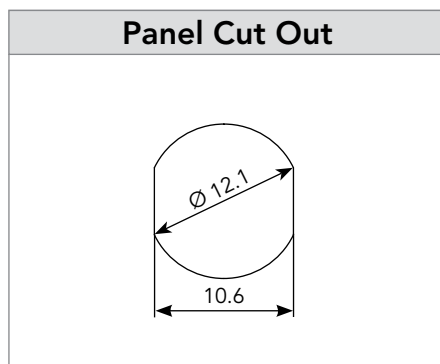
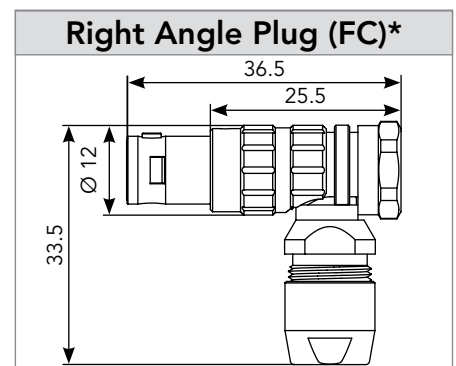
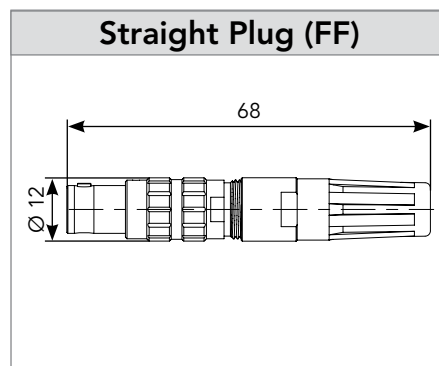
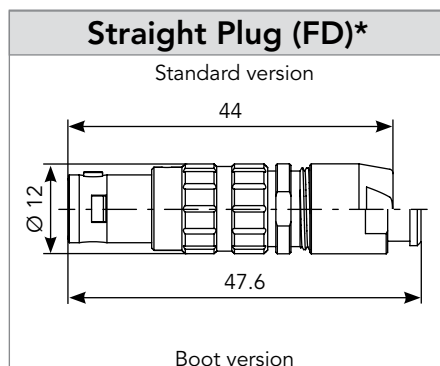
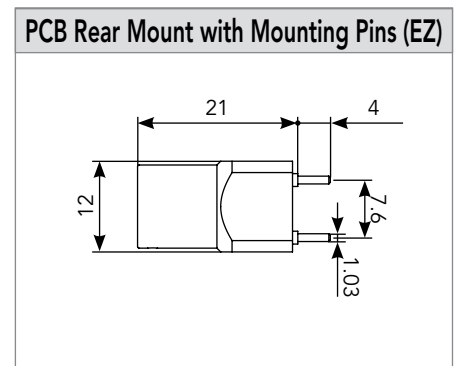
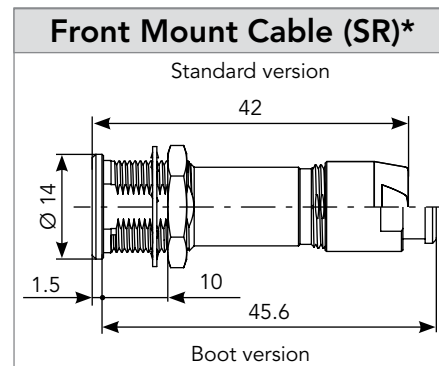
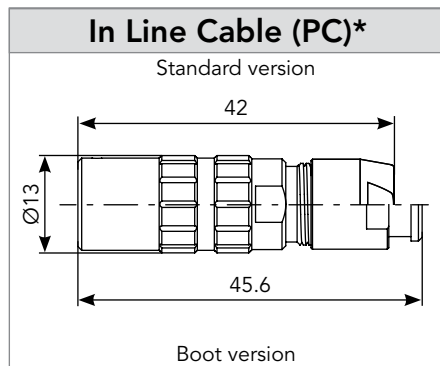
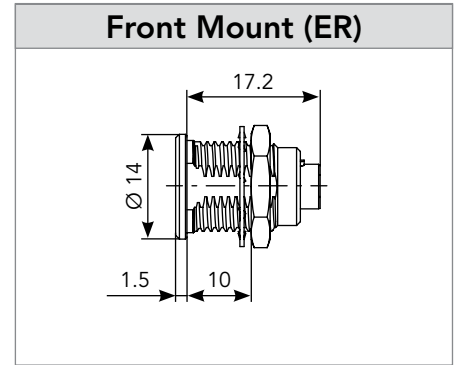
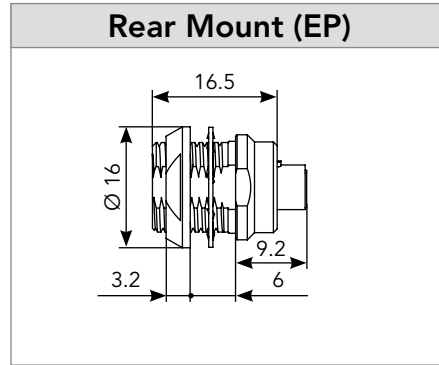
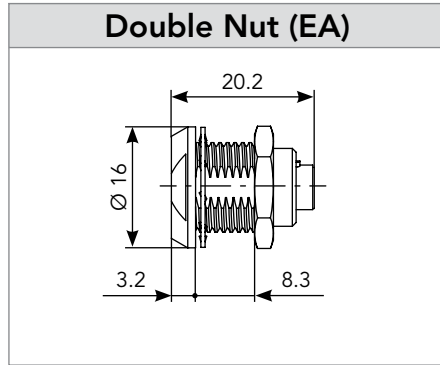
\* In order to get the back nut for protective boot please add «M» after the last «S». Example: JBX Straight Plug, size 1, 2 solder contacts, male insert = JBXFD1G02MSSDSMR.   : First choice  
The protective boot need to be ordered separately, see page accessories.

(1): In order to get a black Chrome over Nickel please replace «S» before the «D» by one «N». Example: JBX Straight Plug, size 1, 2 solder contacts, male insert = JBXFD1G02MSNDSR.



**JBX1-02 - IP40** (2 x Ø 1.3 mm)

**Dimensions** (For mated connector lengths see page 29)



Note: all dimensions are in mm

**JBX1-02 - IP40** (2 x Ø 1.3 mm)

**Accessories**

**Receptacle Dust Cap**




Part number
<b>JBXBR1</b>

**Plug Dust Cap**




Part number
<b>JBXBF1</b>

**Grounding Washer**



Part number
<b>JAXRA1251</b>


**Insulating Washer**




Part number	Color
<b>JBX1RIA</b>	Blue
<b>JBX1RIB</b>	White
<b>JBX1RIG</b>	Grey
<b>JBX1RIJ</b>	Yellow
<b>JBX1RIM</b>	Brown
<b>JBX1RIN</b>	Black
<b>JBX1RIR</b>	Red
<b>JBX1RIV</b>	Green
<b>JBX1RIO</b>	Orange

Note : Insulating washers are not compatible with the IP68 versions

**Protective Boot**

Available only for PC - FC - FD - SR, with back nut protective boot 



Part number	Color
<b>JBX1MPA</b>	Blue
<b>JBX1MPB</b>	White
<b>JBX1MPG</b>	Grey
<b>JBX1MPJ</b>	Yellow
<b>JBX1MPM</b>	Brown
<b>JBX1MPN</b>	Black
<b>JBX1MPR</b>	Red
<b>JBX1MPV</b>	Green
<b>JBX1MPO</b>	Orange

The overall length is 21 mm longer with the protective boot.  
Note: The protective boot is not a sealing element.


**Tooling**

**Crimp Tooling**



Part number
<b>MIL-22520/7-01</b>

**Locator**



Part number	
Male	Female
<b>JBX10UTLP13</b>	<b>JBX10UTLS13</b>

**Extraction Tool**



Part number
<b>JBXOUTDC13</b>

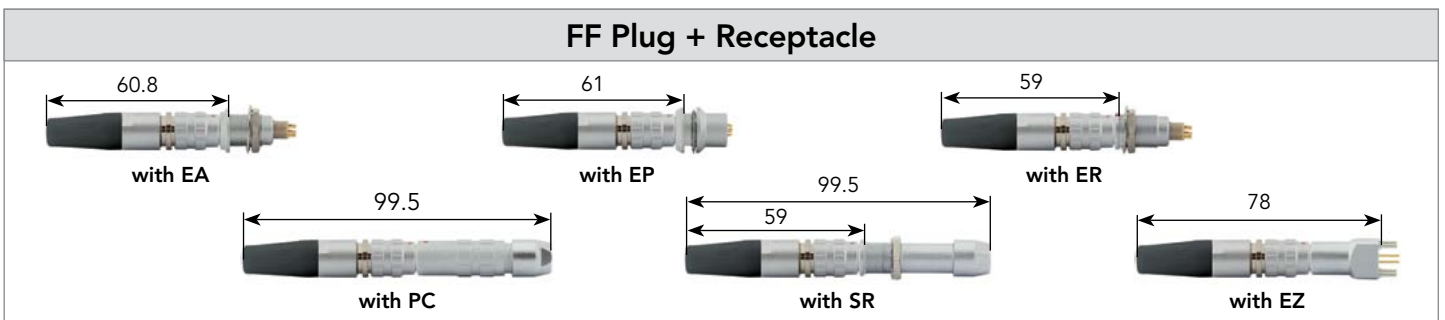
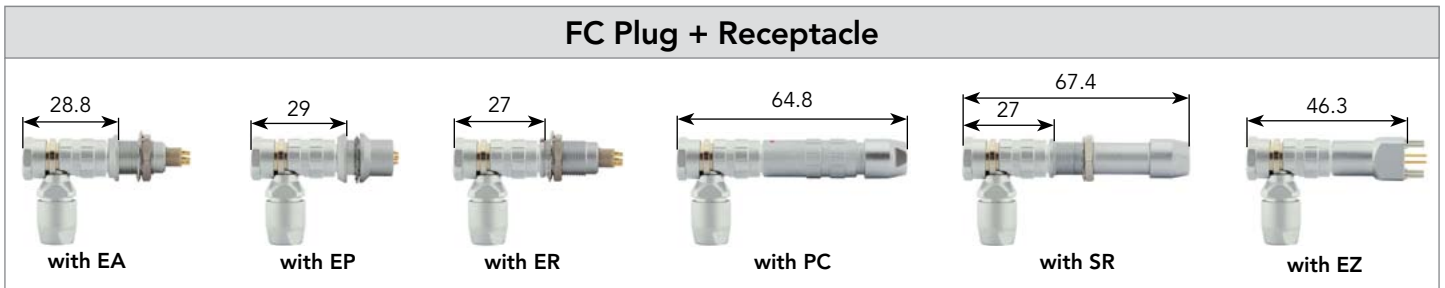
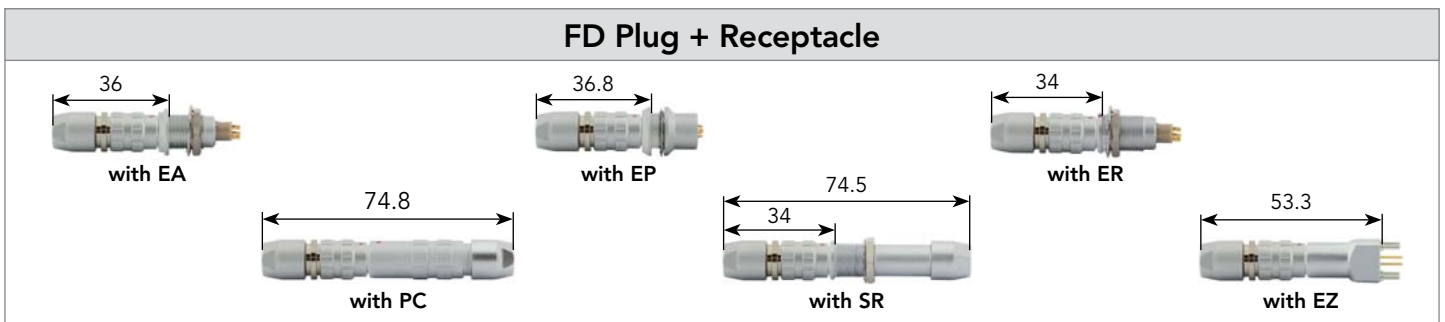
## JBX1-02 - IP40 (2 x Ø 1.3 mm)

### Contacts

Ø 1.3 mm	Contact type	Plating	Contact locking type	AWG
Solder	Machined	0.5 µm gold over 3 to 5 µm Ni	Removable	20
Crimp	Machined	0.5 µm gold over 3 to 5 µm Ni	Removable	18 - 20 - 22
Straight PCB	Machined	0.5 µm gold over 3 to 5 µm Ni	Fixed	-

For more information see pages 231 to 233

### Mated Connector Length

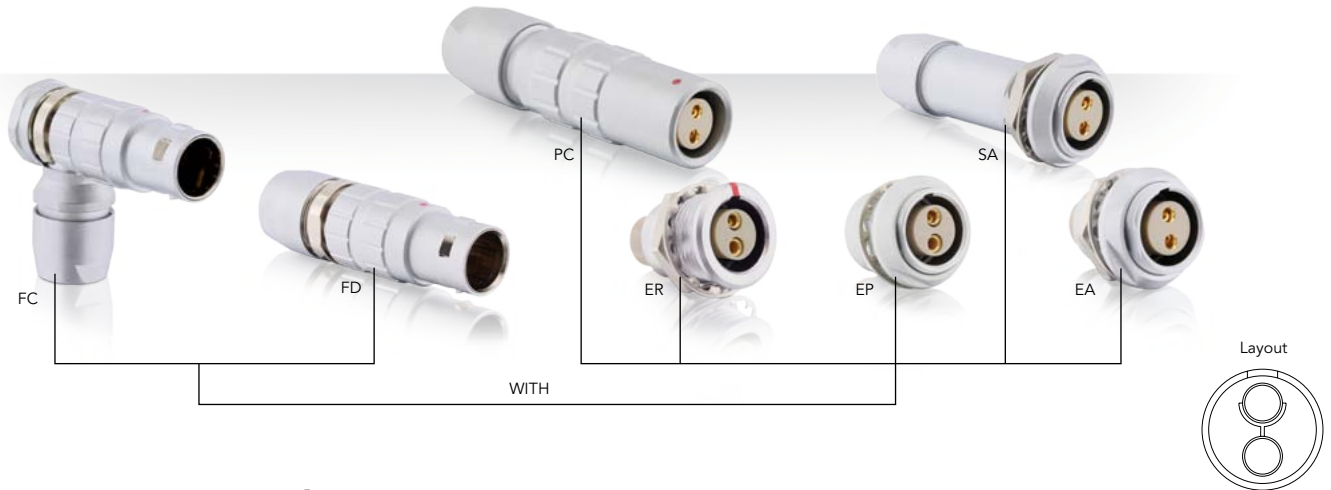


**Electrical Characteristics**

**UL**  
15A 760V UL94 V-0

Note: all dimensions are in mm

**JBX2-02 - IP40** (2 x Ø 2.0 mm) - See waterproof IP67/IP68 version page 32



**Connector Part Number**

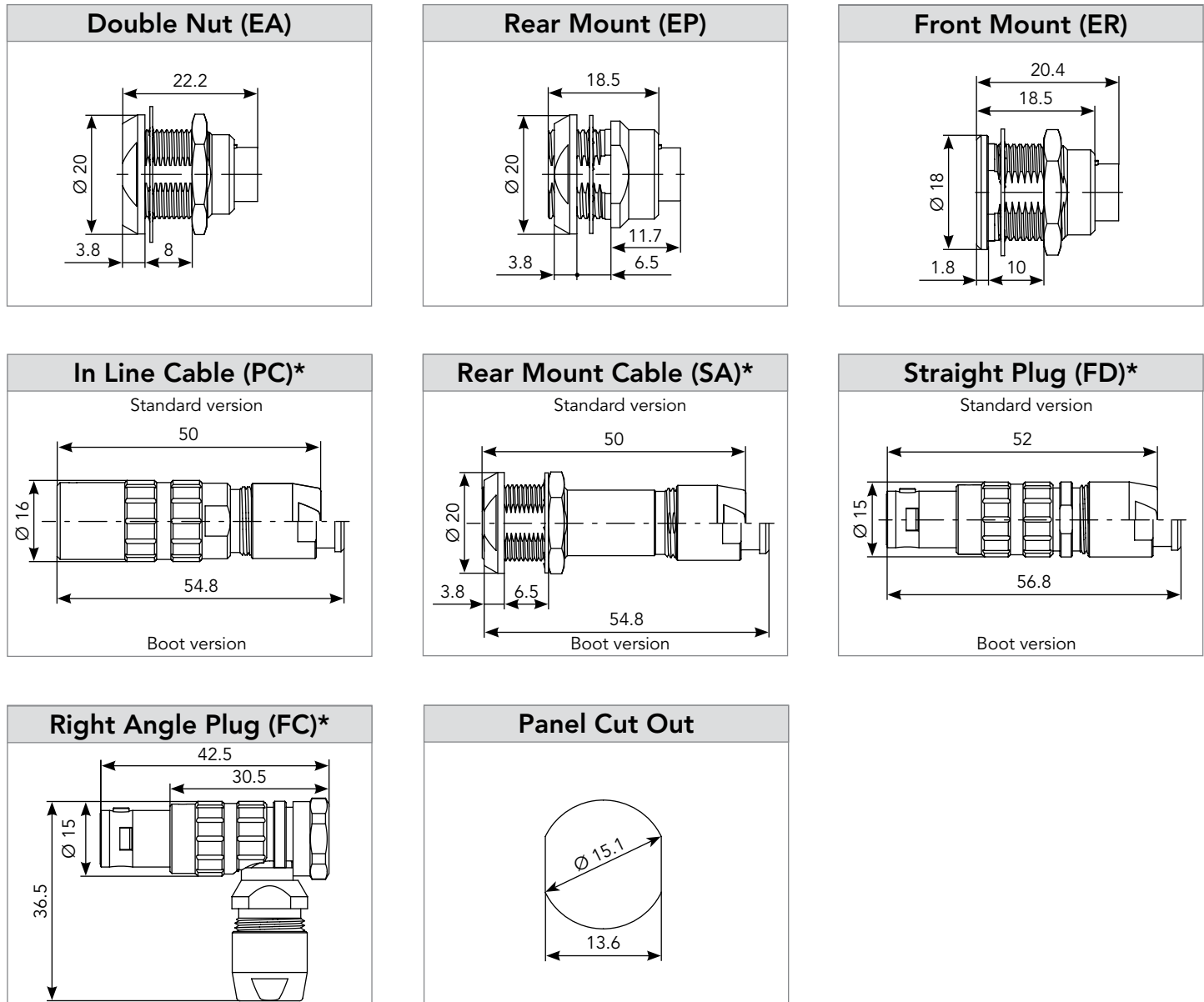
Contact type	Connector type	Description	Part number <sup>(1)</sup>	
			Male insert	Female insert
Solder contacts see page 35	Receptacle	Double nut (EA)	<b>JBXEA2G02MSSDS</b>	<b>JBXEA2G02FSSDS</b>
		Rear mount (EP)	<b>JBXEP2G02MSSDS</b>	<b>JBXEP2G02FSSDS</b>
		Front mount (ER)	<b>JBXER2G02MSSDSR</b>	<b>JBXER2G02FSSDSR</b>
		In line cable (PC) *	<b>JBXPC2G02MSSDSR</b>	<b>JBXPC2G02FSSDSR</b>
	Plug	Straight plug (FD) *	<b>JBXFD2G02MSSDSR</b>	<b>JBXFD2G02FSSDSR</b>
Crimp contacts see page 35	Receptacle	Double nut (EA)	<b>JBXEA2G02MCSDS</b>	<b>JBXEA2G02FCSDS</b>
		Rear mount (EP)	<b>JBXEP2G02MCSDS</b>	<b>JBXEP2G02FCSDS</b>
		Front mount (ER)	<b>JBXER2G02MCSDSR</b>	<b>JBXER2G02FCSDSR</b>
		In line cable (PC) *	<b>JBXPC2G02MCSDSR</b>	<b>JBXPC2G02FCSDSR</b>
		Rear mount cable (SA) *	<b>JBXSA2G02MCSDS</b>	<b>JBXSA2G02FCSDS</b>
	Plug	Right angle plug (FC) *	<b>JBXFC2G02MCSDSR</b>	<b>JBXFC2G02FCSDSR</b>
		Straight plug (FD) *	<b>JBXFD2G02MCSDSR</b>	<b>JBXFD2G02FCSDSR</b>

\* In order to get the back nut for protective boot please add «M» after the last «S». Example: JBX Straight Plug, size 2, 2 solder contacts, male insert = JBXFD2G02MSSDSMR. ■ : First choice  
The protective boot need to be ordered separately, see page accessories.

(1): In order to get a black Chrome over Nickel please replace «S» before the «D» by one «N». Example: JBX Straight Plug, size 2, 2 solder contacts, male insert = JBXFD2G02MSNDSR.

**JBX2-02 - IP40** (2 x Ø 2.0 mm) - See waterproof IP67/IP68 version page 32

**Dimensions** (For mated connector lengths see page 35)



Note: all dimensions are in mm

**JBX2-02 - IP68** (2 x Ø 2.0 mm) - See non sealed IP40 version page 30



**Connector Part Number**

Contact type	Connector type	Description	Part number <sup>(1)</sup>	
			Male insert	Female insert
Solder contacts see page 35	Receptacle	Double nut, front or rear mount (EC)	<b>JBXEC2G02MSSDS</b>	<b>JBXEC2G02FSSDS</b>
		Front mount extended (HH) ☁	<b>JBXHH2G02MSSDSR</b>	<b>JBXHH2G02FSSDSR</b>
	Plug	Straight plug (FH) *	<b>JBXFH2G02MSSDSR</b>	<b>JBXFH2G02FSSDSR</b>
Crimp contacts see page 35	Receptacle	Double nut, front or rear mount (EC)	<b>JBXEC2G02MCSDS</b>	<b>JBXEC2G02FCSDS</b>
		Front mount extended (HH)	<b>JBXHH2G02MCSDSR</b>	<b>JBXHH2G02FCSDSR</b>
	Plug	Straight plug (FH) *	<b>JBXFH2G02MCSDSR</b>	<b>JBXFH2G02FCSDSR</b>

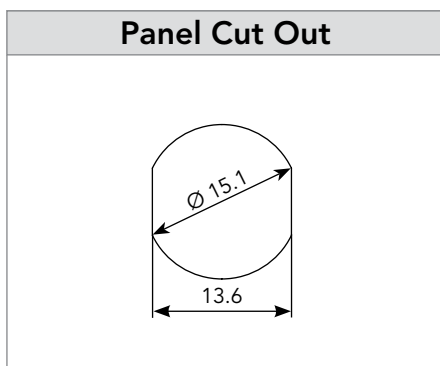
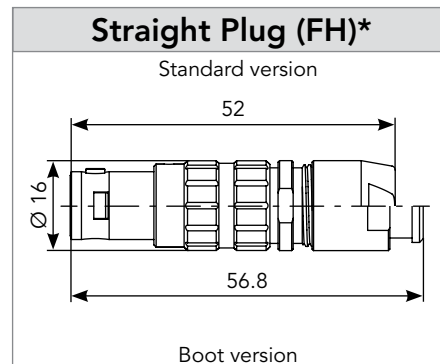
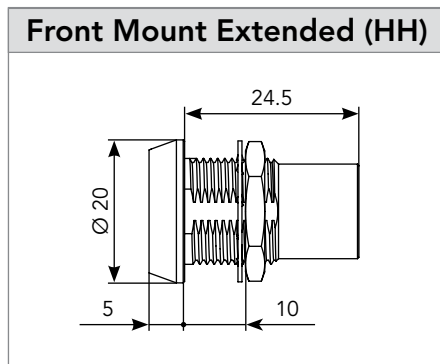
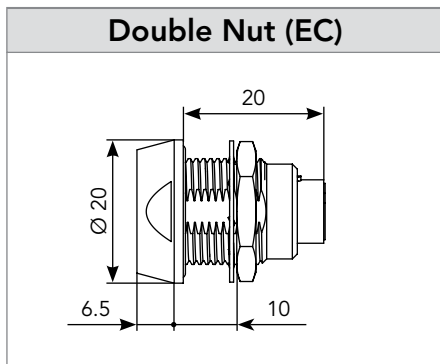
\* In order to get the back nut for protective boot please add «M» after the last «S». Example: JBX Straight Plug, size 2, 2 solder contacts, male insert = JBXFH2G02MSSDSMR. The protective boot need to be ordered separately, see page accessories.

1: In order to get a black Chrome over Nickel please replace «S» before the «D» by one «N». Example: JBX Straight Plug, size 2, 2 solder contacts, male insert = JBXFH2G02MSNDSR.

☁ : Sealed in Unmated Condition

**JBX2-02 - IP67/IP68** (2 x Ø 2.0 mm) - See non sealed IP40 version page 30

**Dimensions** (For mated connector lengths see page 35)



**JBX2-02 - IP40 & IP68 (2 x Ø 2.0 mm)**

**Accessories**

**Receptacle Dust Cap**




Part number
<b>JBXBR2</b>

**Plug Dust Cap**




Part number
<b>JBXBF2</b>

**Grounding Washer**



Part number
<b>JAXRA2252</b>

**Insulating Washer**



Part number	Color
<b>JBX2RIA</b>	Blue
<b>JBX2RIB</b>	White
<b>JBX2RIG</b>	Grey
<b>JBX2RIJ</b>	Yellow
<b>JBX2RIM</b>	Brown
<b>JBX2RIN</b>	Black
<b>JBX2RIR</b>	Red
<b>JBX2RIV</b>	Green
<b>JBX2RIO</b>	Orange

Note : Insulating washers are not compatible with the IP68 versions

**Protective Boot**

Available only for PC - FC - FD - SA - FH, with back nut protective boot 



Part number	Color
<b>JBX2MPA</b>	Blue
<b>JBX2MPB</b>	White
<b>JBX2MPG</b>	Grey
<b>JBX2MPJ</b>	Yellow
<b>JBX2MPM</b>	Brown
<b>JBX2MPN</b>	Black
<b>JBX2MPR</b>	Red
<b>JBX2MPV</b>	Green
<b>JBX2MPO</b>	Orange

The overall length is 25 mm longer with the protective boot.  
Note: The protective boot is not a sealing element.

**Tooling**

**Crimp Tooling**



Part number
<b>MIL-22520/1-01</b>

**Locator**



Part number
<b>JBX2OUTLP20</b>

**Extraction Tool**



Part number
<b>JBXOUTDC20</b>



## JBX2-02 - IP40 & IP68 (2 x Ø 2.0 mm)

### Contacts

Ø 2.0 mm	Contact type	Plating	Contact locking type	AWG
Solder	Machined	0.5 µm gold over 3 to 5 µm Ni	Removable	16
Crimp	Machined	0.5 µm gold over 3 to 5 µm Ni	Removable	12 - 14 - 16

For more information see pages 231 to 232

### Mated Connector Length

**FD Plug + Receptacle**

**FC Plug + Receptacle**

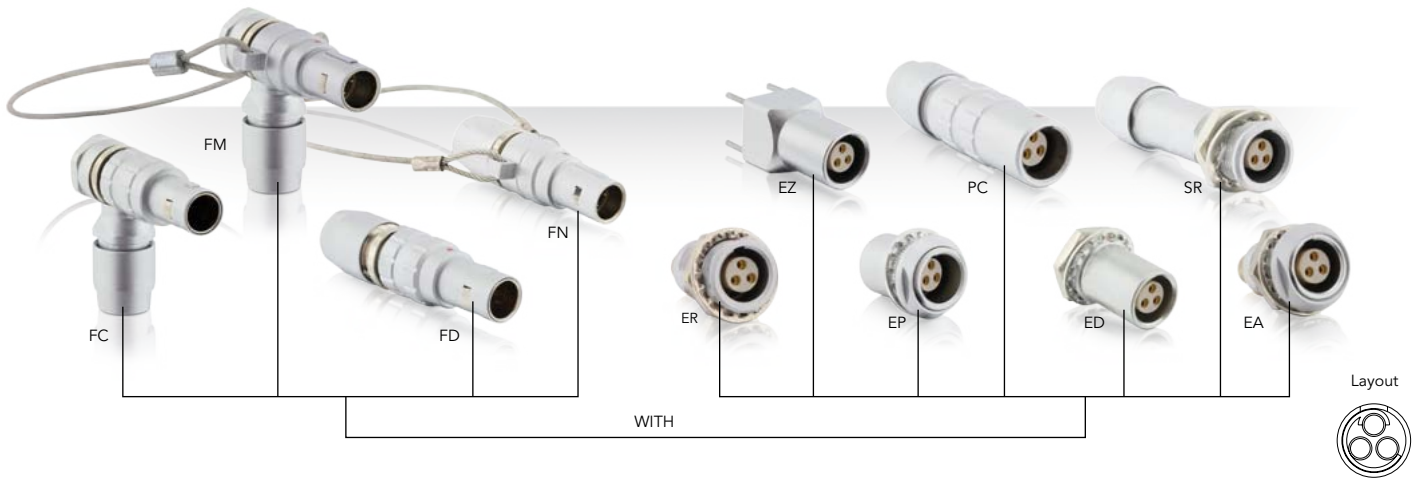
**FH Plug + Receptacle**

Connector

Electrical Characteristics
UL 30A 1,000V UL94 V-0

Note: all dimensions are in mm

**JBX0-03 - IP40** (3 x Ø 0.9 mm) - See waterproof IP68 version page 38



**Connector Part Number**

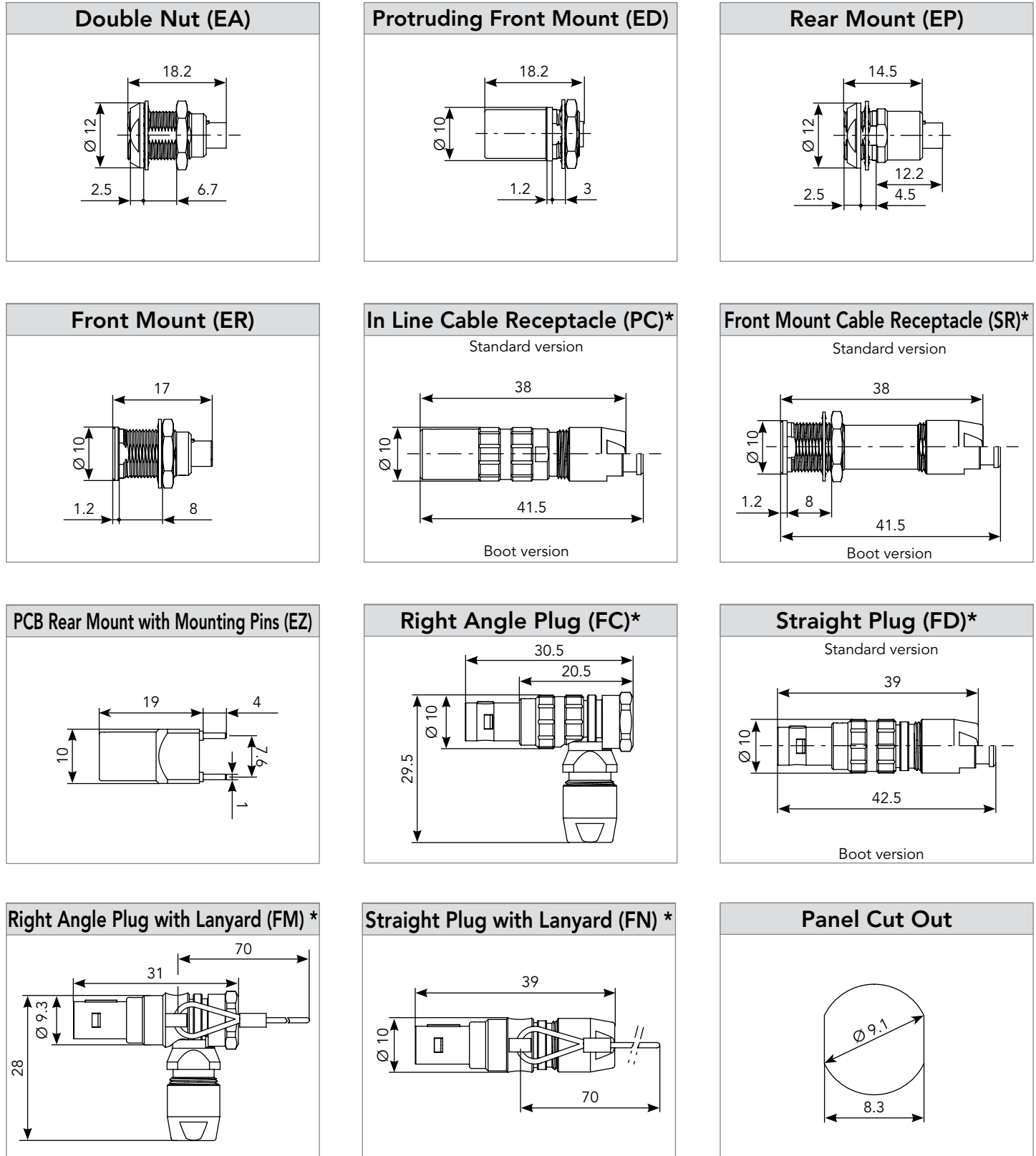
Contact type	Connector type	Description	Part number <sup>(1)</sup>	
			Male insert	Female insert
Solder contacts see page 41	Receptacle	Double nut (EA)	<b>JBXEA0G03MSSDS</b>	<b>JBXEA0G03FSSDS</b>
		Protruding front mount (ED)	<b>JBXED0G03MSSDSR</b>	<b>JBXED0G03FSSDSR</b>
		Rear mount (EP)	<b>JBXEP0G03MSSDS</b>	<b>JBXEP0G03FSSDS</b>
		Front mount (ER)	<b>JBXER0G03MSSDSR</b>	<b>JBXER0G03FSSDSR</b>
		In line cable (PC) *	<b>JBXPC0G03MSSDSR</b>	<b>JBXPC0G03FSSDSR</b>
	Plug	Right angle plug (FC) *	<b>JBXFC0G03MSSDSR</b>	<b>JBXFC0G03FSSDSR</b>
		Straight plug (FD) *	<b>JBXFD0G03MSSDSR</b>	<b>JBXFD0G03FSSDSR</b>
		Right Angle plug with lanyard (FM) *	<b>JBXFM0G03MSSDSR</b>	<b>JBXFM0G03FSSDSR</b>
	Straight plug with lanyard (FN) *	<b>JBXFN0G03MSSDSR</b>	<b>JBXFN0G03FSSDSR</b>	
Crimp contacts see page 41	Receptacle	Double nut (EA)	<b>JBXEA0G03MCSDS</b>	<b>JBXEA0G03FCSDS</b>
		Protruding front mount (ED)	<b>JBXED0G03MCSDSR</b>	<b>JBXED0G03FCSDSR</b>
		Rear mount (EP)	<b>JBXEP0G03MCSDS</b>	<b>JBXEP0G03FCSDS</b>
		Front mount (ER)	<b>JBXER0G03MCSDSR</b>	<b>JBXER0G03FCSDSR</b>
		In line cable (PC) *	<b>JBXPC0G03MCSDSR</b>	<b>JBXPC0G03FCSDSR</b>
	Plug	Front mount cable (SR) *	<b>JBXSR0G03MCSDSR</b>	<b>JBXSR0G03FCSDSR</b>
		Right angle plug (FC) *	<b>JBXFC0G03MCSDSR</b>	<b>JBXFC0G03FCSDSR</b>
		Straight plug (FD) *	<b>JBXFD0G03MCSDSR</b>	<b>JBXFD0G03FCSDSR</b>
Straight PCB contacts see page 41	Receptacle	Double nut (EA)	-	<b>JBXEA0G03FPDS</b>
		Rear mount (EP)	-	<b>JBXEP0G03FPDS</b>
		PCB rear mount with mounting pins (EZ)	-	<b>JBXEZ0G03FPDSR</b>
90° PCB contacts see page 41	Receptacle	Double nut (EA)	-	<b>JBXEA0G03FQSDS</b>
		Protruding front mount (ED)	-	<b>JBXED0G03FQSDSR</b>
		Rear mount (EP)	-	<b>JBXEP0G03FQSDS</b>

\* In order to get the back nut for protective boot please add «M» after the last «S». Example: JBX Straight Plug, size 0, 3 solder contacts, male insert = JBXFD0G03MSSDSMR. ■ : First choice  
The protective boot need to be ordered separately, see page accessories.

(1): In order to get a black Chrome over Nickel please replace «S» before the «D» by one «N». Example: JBX Straight Plug, size 0, 3 solder contacts, male insert = JBXFD0G03MSNDSR.

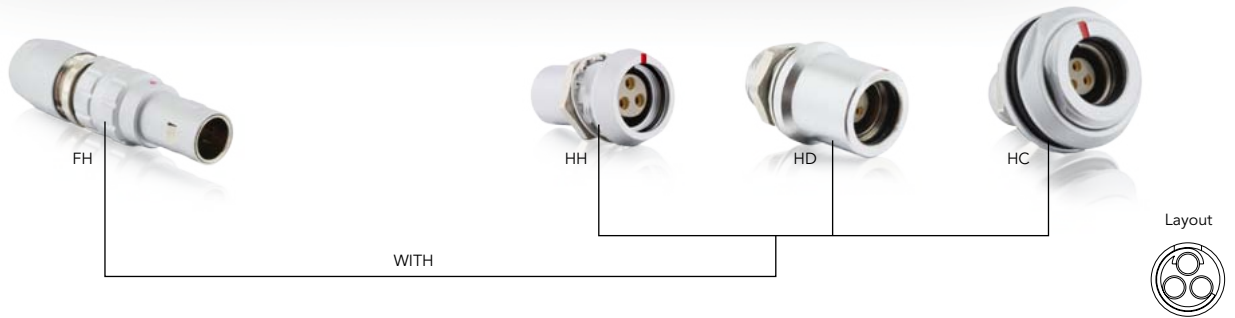
**JBX0-03 - IP40** (3 x Ø 0.9 mm) - See waterproof IP68 version page 38

**Dimensions** (For mated connector lengths see page 41)



Note: all dimensions are in mm

**JBX0-03 - IP68** (3 x Ø 0.9 mm) - See non sealed IP40 version page 36



**Connector Part Number**

Contact type	Connector type	Description	Part number <sup>(1)</sup>	
			Male insert	Female insert
Solder contacts see page 41	Receptacle	Rear mount (HC) ☁	<b>JBXHC0G03MSSDSR</b>	<b>JBXHC0G03FSSDSR</b>
		Protruding front mount (HD) ☁	<b>JBXHD0G03MSSDSR</b>	<b>JBXHD0G03FSSDSR</b>
		Front mount extended (HH) ☁	<b>JBXHH0G03MSSDSR</b>	<b>JBXHH0G03FSSDSR</b>
	Plug	Straight plug (FH) *	<b>JBXFH0G03MSSDSR</b>	<b>JBXFH0G03FSSDSR</b>
Crimp contacts see page 41	Receptacle	Protruding front mount (HD)	<b>JBXHD0G03MCSDSR</b>	<b>JBXHD0G03FCSDSR</b>
		Front mount extended (HH)	<b>JBXHH0G03MCSDSR</b>	<b>JBXHH0G03FCSDSR</b>
	Plug	Straight plug (FH) * ☁	<b>JBXFH0G03MCSDSR</b>	<b>JBXFH0G03FCSDSR</b>
Straight PCB contacts see page 41	Receptacle	Rear mount (HC) ☁	-	<b>JBXHC0G03FPSDSR</b>

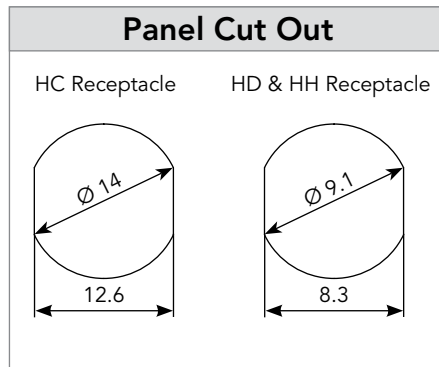
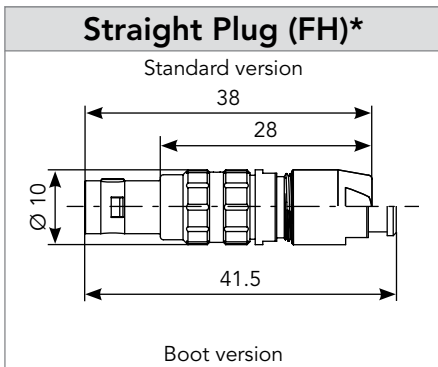
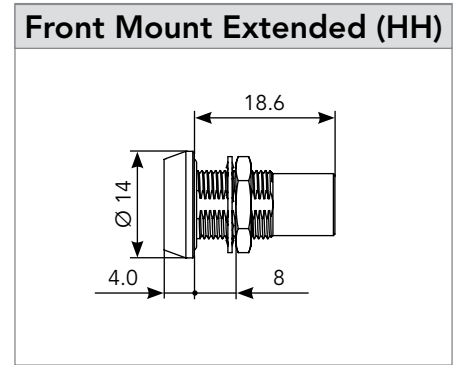
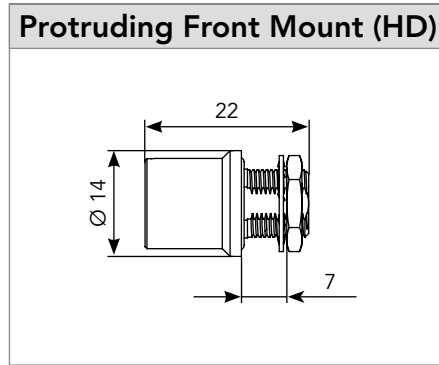
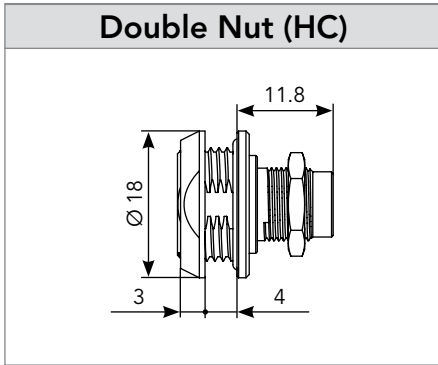
\* In order to get the back nut for protective boot please add «M» after the last «S». Example: JBX Straight Plug, size 0, 3 solder contacts, male insert = JBXFH0G03MSSDSMR. ☐ : First choice  
 The protective boot need to be ordered separately, see page accessories.

1: In order to get a black Chrome over Nickel please replace «S» before the «D» by one «N». Example: JBX Straight Plug, size 0, 3 solder contacts, male insert = JBXFH0G03MSNDSR.

☁ : Sealed in Unmated Condition

**JBX0-03 - IP68** (3 x Ø 0.9 mm) - See non sealed IP40 version page 36

**Dimensions** (For mated connector lengths see page 41)



Note: all dimensions are in mm

## JBX0-03 - IP40 & IP68 (3 x Ø 0.9 mm)

### Accessories

**Receptacle Dust Cap**




Part number
<b>JBXBRØ</b>

**Plug Dust Cap**




Part number
<b>JBXBFØ</b>

**Grounding Washer**



Part number
<b>JAXRAØ251</b>

**Insulating Washer**



Part number	Color
<b>JBXØRIA</b>	Blue
<b>JBXØRIB</b>	White
<b>JBXØRIG</b>	Grey
<b>JBXØRIJ</b>	Yellow
<b>JBXØRIM</b>	Brown
<b>JBXØRIN</b>	Black
<b>JBXØRIR</b>	Red
<b>JBXØRIV</b>	Green
<b>JBXØRIO</b>	Orange

Note : Insulating washers are not compatible with the IP68 versions

**Protective Boot**

Available only for PC - FC - FD - FM - FN - SR - FH, with back nut protective boot 



Part number	Color
<b>JBXØMPA</b>	Blue
<b>JBXØMPB</b>	White
<b>JBXØMPG</b>	Grey
<b>JBXØMPJ</b>	Yellow
<b>JBXØMPM</b>	Brown
<b>JBXØMPN</b>	Black
<b>JBXØMPR</b>	Red
<b>JBXØMPV</b>	Green
<b>JBXØMPO</b>	Orange

The overall length is 17 mm longer with the protective boot.  
Note: The protective boot is not a sealing element.


### Tooling

**Crimp Tooling**



Part number
<b>MIL-22520/7-01</b>

**Locator**



Part number	
Male	Female
<b>JBXØOUTLPØ9</b>	<b>JBXØOUTLSØ9</b>

**Extraction Tool**



Part number
<b>JBXOUTDCØ9</b>

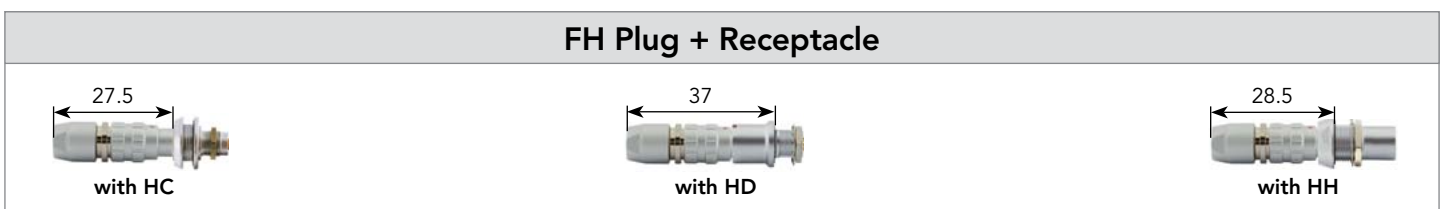
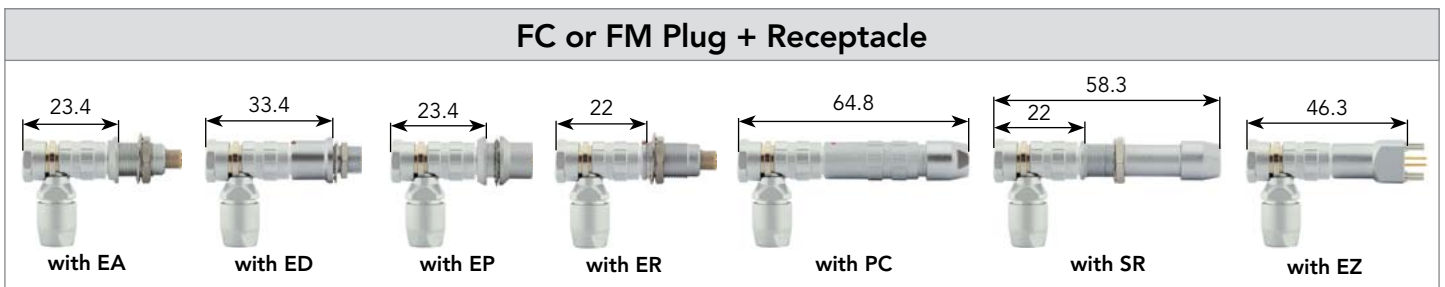
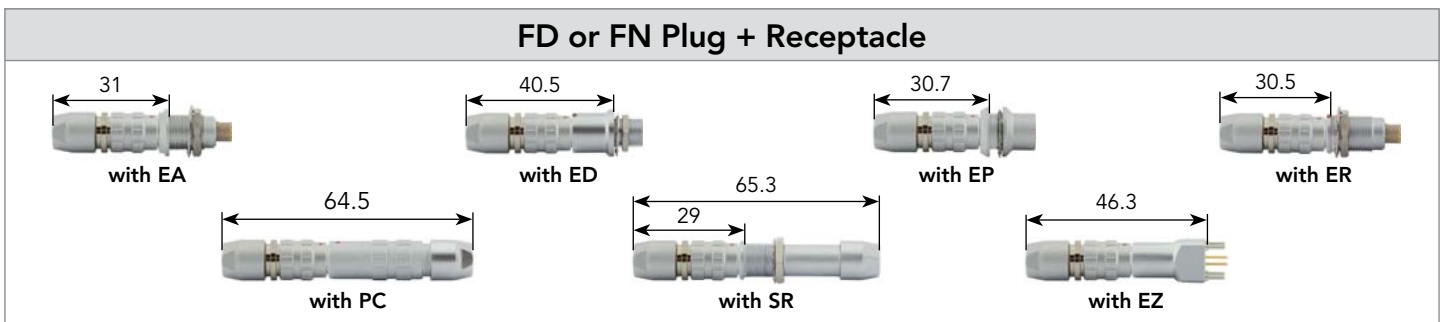
## JBX0-03 - IP40 & IP68 (3 x Ø 0.9 mm)

### Contacts

Ø 0.9 mm	Contact type	Plating	Contact locking type	AWG
Solder	Machined	0.5 µm gold over 3 to 5 µm Ni	Removable	24
Crimp	Machined	0.5 µm gold over 3 to 5 µm Ni	Removable	20 - 22 - 24
Straight PCB	Machined	0.5 µm gold over 3 to 5 µm Ni	Fixed	-
90° PCB	Machined	0.5 µm gold over 3 to 5 µm Ni	Removable	-

For more information see pages 231 to 234

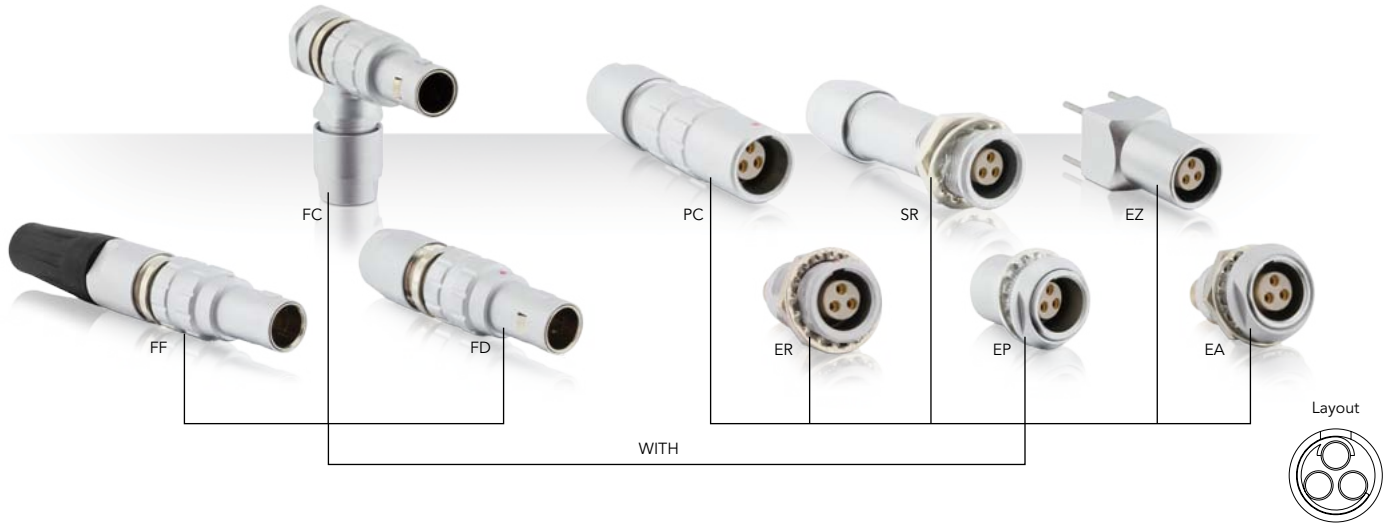
### Mated Connector Length



Electrical Characteristics
<p><b>UL</b> 8A 600V UL94 V-0</p>

Note: all dimensions are in mm

**JBX1-03 - IP40 (3 x Ø 1.3 mm)**



**Connector Part Number**

Contact type	Connector type	Description	Part number <sup>(1)</sup>	
			Male insert	Female insert
Solder contacts see page 45	Receptacle	Double nut (EA)	<b>JBXEA1G03MSSDS</b>	<b>JBXEA1G03FSSDS</b>
		Rear mount (EP)	<b>JBXEP1G03MSSDS</b>	<b>JBXEP1G03FSSDS</b>
		Front mount (ER)	<b>JBXER1G03MSSDSR</b>	<b>JBXER1G03FSSDSR</b>
		In line cable (PC) *	<b>JBXPC1G03MSSDSR</b>	<b>JBXPC1G03FSSDSR</b>
		Front mount cable (SR) *	<b>JBXSR1G03MSSDSR</b>	<b>JBXSR1G03FSSDSR</b>
	Plug	Straight plug (FD) *	<b>JBXFD1G03MSSDSR</b>	<b>JBXFD1G03FSSDSR</b>
Straight plug no latch with black protective boot (FF)		<b>JBXFF1G03MSSDSR</b>	<b>JBXFF1G03FSSDSR</b>	
Crimp contacts see page 45	Receptacle	Double nut (EA)	<b>JBXEA1G03MCSDS</b>	<b>JBXEA1G03FCSDS</b>
		Front mount (ER)	<b>JBXER1G03MCSDSR</b>	<b>JBXER1G03FCSDSR</b>
		In line cable (PC) *	<b>JBXPC1G03MCSDSR</b>	<b>JBXPC1G03FCSDSR</b>
	Plug	Right angle plug (FC) *	<b>JBXFC1G03MCSDSR</b>	<b>JBXFC1G03FCSDSR</b>
		Straight plug (FD) *	<b>JBXFD1G03MCSDSR</b>	<b>JBXFD1G03FCSDSR</b>
Straight PCB contacts see page 45	Receptacle	Double nut (EA)	-	<b>JBXEA1G03FPSDS</b>
		Front mount (ER)	-	<b>JBXER1G03FPSDSR</b>
		PCB rear mount with mounting pins (EZ)	-	<b>JBXEZ1G03FPSDSR</b>
90° PCB contacts see page 45	Receptacle	Double nut (EA)	-	<b>JBXEA1G03FQSDS</b>
		Rear mount (EP)	-	<b>JBXEP1G03FQSDS</b>

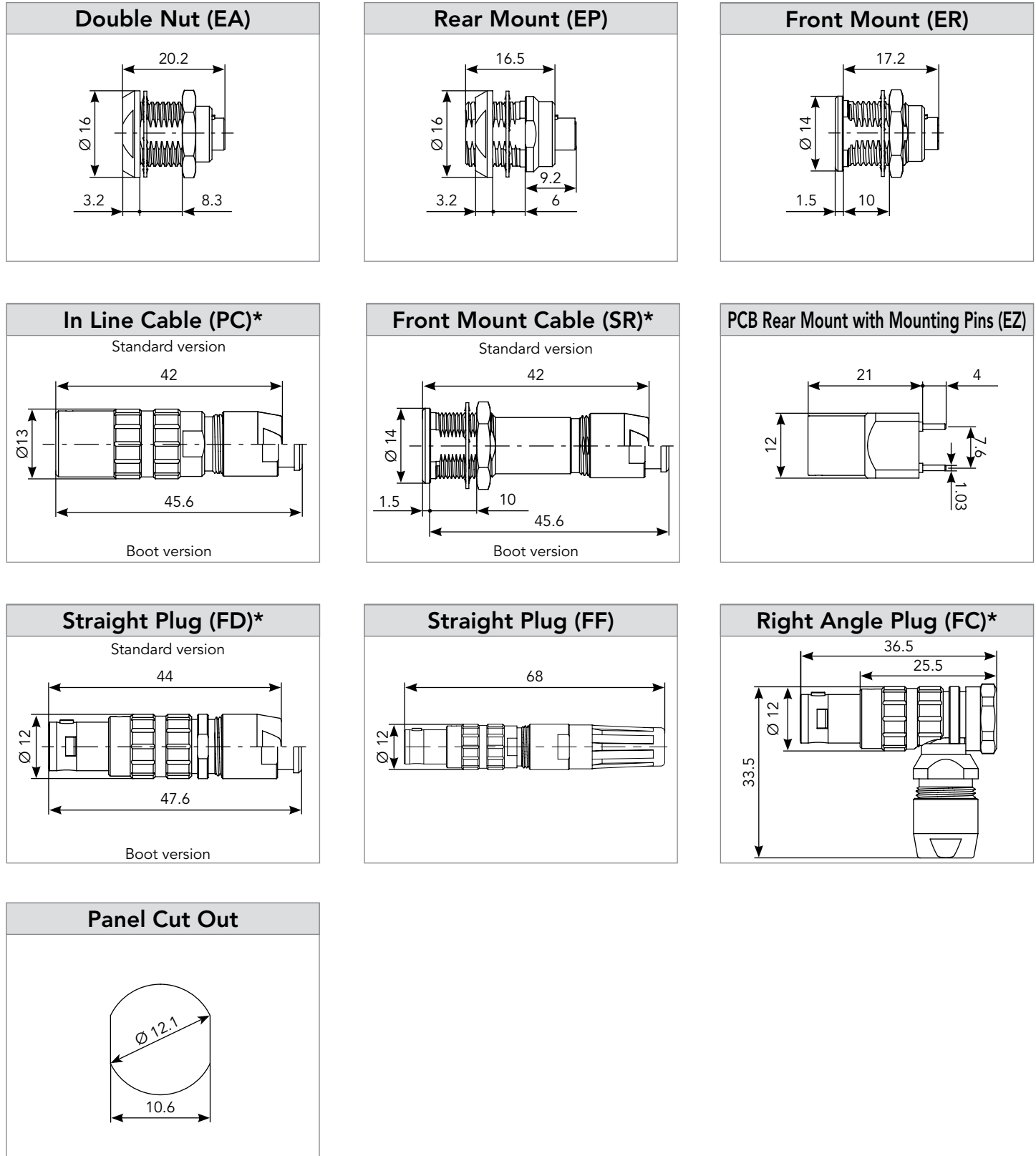
\* In order to get the back nut for protective boot please add «M» after the last «S». Example: JBX Straight Plug, size 1, 3 solder contacts, male insert = JBXFD1G03MSSDSMR.   : First choice  
The protective boot need to be ordered separately, see page accessories.

(1): In order to get a black Chrome over Nickel please replace «S» before the «D» by one «N». Example: JBX Straight Plug, size 1, 3 solder contacts, male insert = JBXFD1G03MSNDSR.



**JBX1-03 - IP40** (3 x Ø 1.3 mm)

**Dimensions** (For mated connector lengths see page 45)



Connector

Note: all dimensions are in mm

**JBX1-03 - IP40** (3 x Ø 1.3 mm)

**Receptacle Dust Cap**




Part number
<b>JBXBR1</b>

**Plug Dust Cap**




Part number
<b>JBXBF1</b>

**Grounding Washer**



Part number
<b>JAXRA1251</b>


**Insulating Washer**




Part number	Color
<b>JBX1RIA</b>	Blue
<b>JBX1RIB</b>	White
<b>JBX1RIG</b>	Grey
<b>JBX1RIJ</b>	Yellow
<b>JBX1RIM</b>	Brown
<b>JBX1RIN</b>	Black
<b>JBX1RIR</b>	Red
<b>JBX1RIV</b>	Green
<b>JBX1RIO</b>	Orange

Note : Insulating washers are not compatible with the IP68 versions

**Protective Boot**

Available only for PC - FC - FD - SR, with back nut protective boot 



Part number	Color
<b>JBX1MPA</b>	Blue
<b>JBX1MPB</b>	White
<b>JBX1MPG</b>	Grey
<b>JBX1MPJ</b>	Yellow
<b>JBX1MPM</b>	Brown
<b>JBX1MPN</b>	Black
<b>JBX1MPR</b>	Red
<b>JBX1MPV</b>	Green
<b>JBX1MPO</b>	Orange

The overall length is 21 mm longer with the protective boot.  
Note: The protective boot is not a sealing element.


**Tooling**

**Crimp Tooling**



Part number
<b>MIL-22520/7-01</b>

**Locator**



Part number	
Male	Female
<b>JBX10UTLP13</b>	<b>JBX10UTLS13</b>

**Extraction Tool**



Part number
<b>JBXOUTDC13</b>

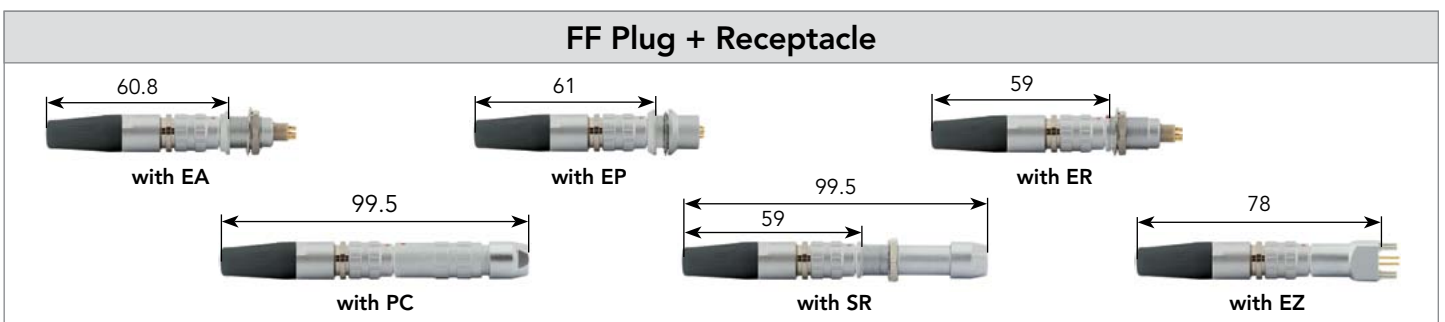
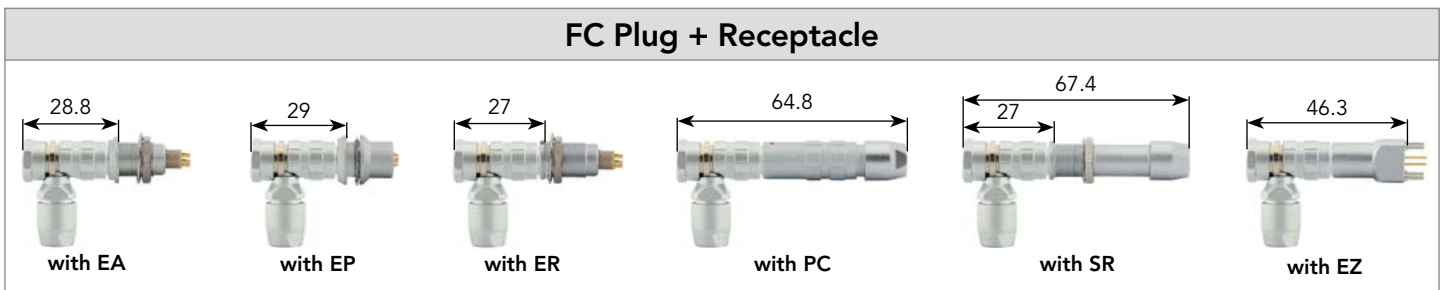
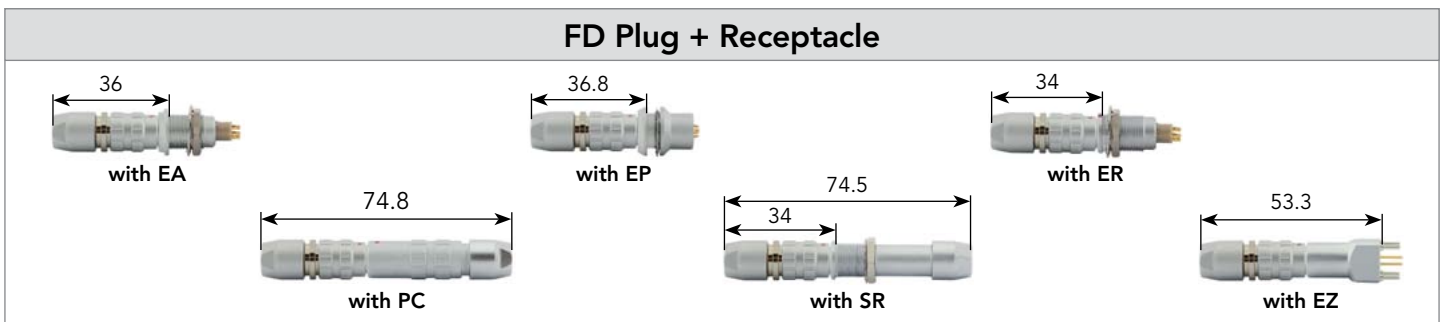
## JBX1-03 - IP40 (3 x Ø 1.3 mm)

### Contacts

Ø 1.3 mm	Contact type	Plating	Contact locking type	AWG
Solder	Machined	0.5 µm gold over 3 to 5 µm Ni	Removable	20
Crimp	Machined	0.5 µm gold over 3 to 5 µm Ni	Removable	18 - 20 - 22
Straight PCB	Machined	0.5 µm gold over 3 to 5 µm Ni	Fixed	-
90° PCB	Machined	0.5 µm gold over 3 to 5 µm Ni	Removable	-

For more information see pages 231 to 234

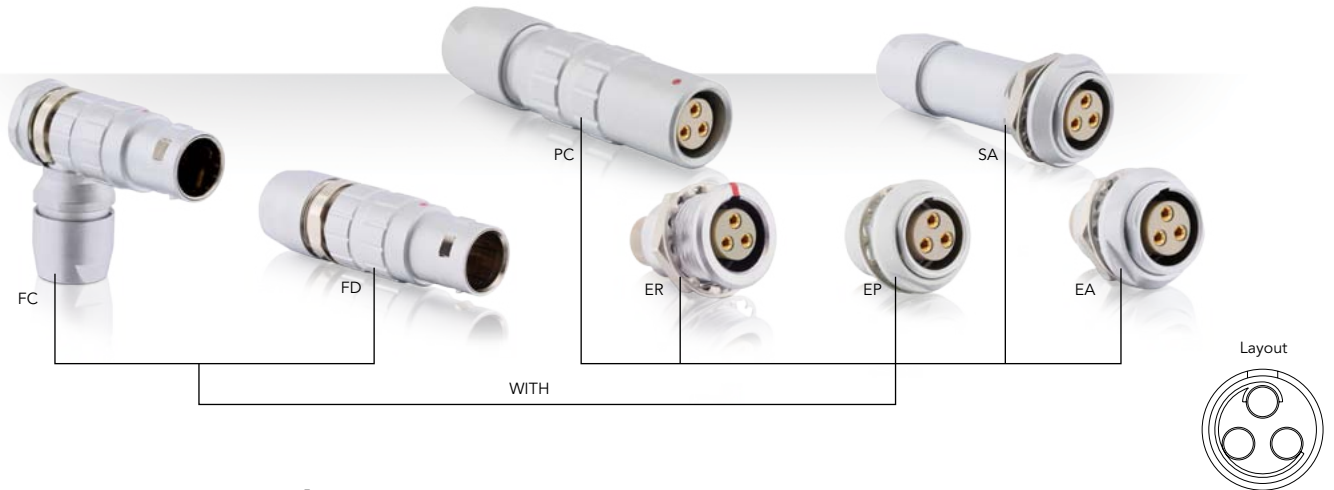
### Mated Connector Length



Electrical Characteristics
<p><b>UL</b> 12A 600V UL94 V-0</p>

Note: all dimensions are in mm

**JBX2-03 - IP40** (3 x Ø 1.6 mm) - See waterproof IP68 version page 48



**Connector Part Number**

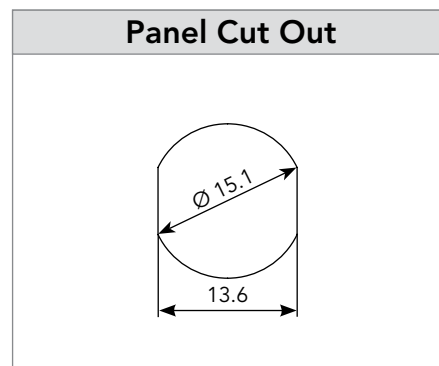
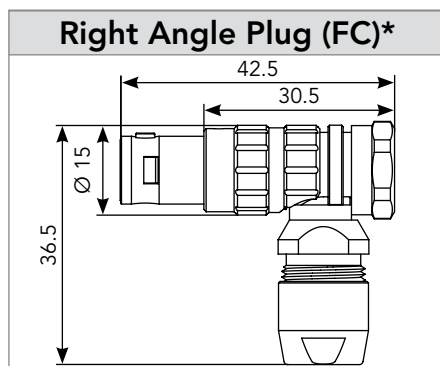
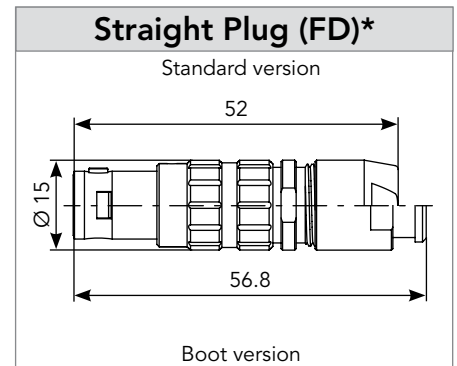
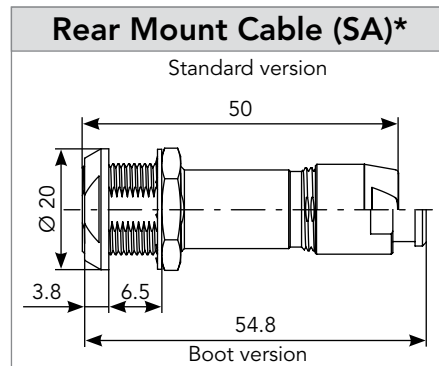
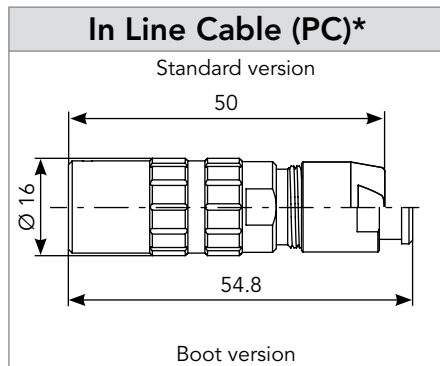
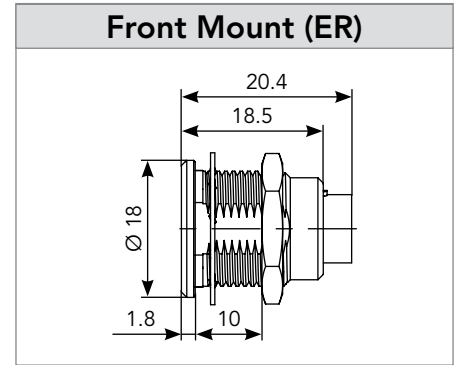
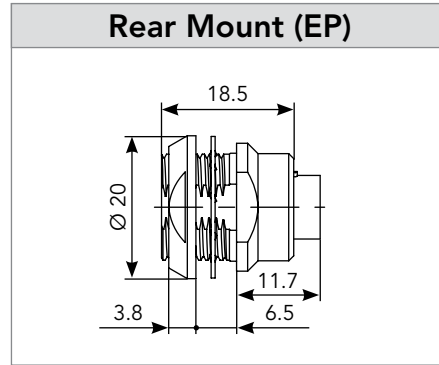
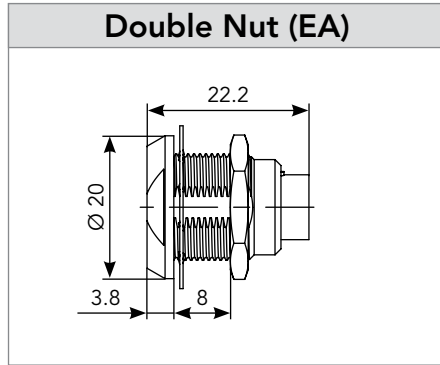
Contact type	Connector type	Description	Part number <sup>(1)</sup>	
			Male insert	Female insert
Solder contacts see page 51	Receptacle	Double nut (EA)	<b>JBXEA2G03MSSDS</b>	<b>JBXEA2G03FSSDS</b>
		Rear mount (EP)	<b>JBXEP2G03MSSDS</b>	<b>JBXEP2G03FSSDS</b>
		Front mount (ER)	<b>JBXER2G03MSSDSR</b>	<b>JBXER2G03FSSDSR</b>
		In line cable (PC) *	<b>JBXPC2G03MSSDSR</b>	<b>JBXPC2G03FSSDSR</b>
	Plug	Straight plug (FD) *	<b>JBXFD2G03MSSDSR</b>	<b>JBXFD2G03FSSDSR</b>
Crimp contacts see page 51	Receptacle	Double nut (EA)	<b>JBXEA2G03MCSDS</b>	<b>JBXEA2G03FCSDS</b>
		Rear mount (EP)	<b>JBXEP2G03MCSDS</b>	<b>JBXEP2G03FCSDS</b>
		Front mount (ER)	<b>JBXER2G03MCSDSR</b>	<b>JBXER2G03FCSDSR</b>
		In line cable (PC) *	<b>JBXPC2G03MCSDSR</b>	<b>JBXPC2G03FCSDSR</b>
		Rear mount cable (SA) *	<b>JBXSA2G03MCSDS</b>	<b>JBXSA2G03FCSDS</b>
	Plug	Right angle plug (FC) *	<b>JBXFC2G03MCSDSR</b>	<b>JBXFC2G03FCSDSR</b>
		Straight plug (FD) *	<b>JBXFD2G03MCSDSR</b>	<b>JBXFD2G03FCSDSR</b>

\* In order to get the back nut for protective boot please add «M» after the last «S». Example: JBX Straight Plug, size 2, 3 solder contacts, male insert = JBXFD2G03MSSDSMR. ■ : First choice  
The protective boot need to be ordered separately, see page accessories.

(1): In order to get a black Chrome over Nickel please replace «S» before the «D» by one «N». Example: JBX Straight Plug, size 2, 3 solder contacts, male insert = JBXFD2G03MSNDSR.

**JBX2-03 - IP40** (3 x Ø 1.6 mm) - See waterproof IP68 version page 48

**Dimensions** (For mated connector lengths see page 51)



Note: all dimensions are in mm

**JBX2-03 - IP68** (3 x Ø 1.6 mm) - See non sealed IP40 version page 46



**Connector Part Number**

Contact type	Connector type	Description	Part number <sup>(1)</sup>	
			Male insert	Female insert
Solder contacts see page 51	Receptacle	Double nut, front or rear mount (EC)	<b>JBXEC2G03MSSDS</b>	<b>JBXEC2G03FSSDS</b>
		Front mount extended (HH) ☁	<b>JBXHH2G03MSSDSR</b>	<b>JBXHH2G03FSSDSR</b>
	Plug	Straight plug (FH) *	<b>JBXFH2G03MSSDSR</b>	<b>JBXFH2G03FSSDSR</b>
Crimp contacts see page 51	Receptacle	Double nut, front or rear mount (EC)	<b>JBXEC2G03MCSDS</b>	<b>JBXEC2G03FCSDS</b>
		Front mount extended (HH)	<b>JBXHH2G03MCSDSR</b>	<b>JBXHH2G03FCSDSR</b>
	Plug	Straight plug (FH) *	<b>JBXFH2G03MCSDSR</b>	<b>JBXFH2G03FCSDSR</b>

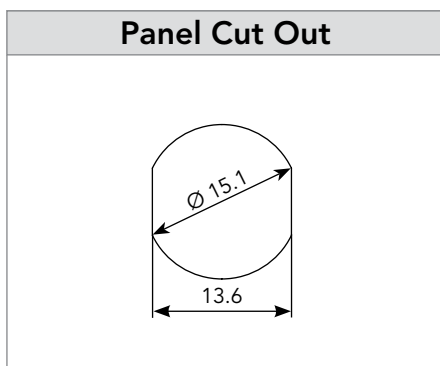
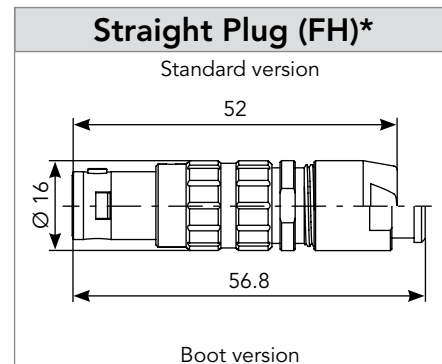
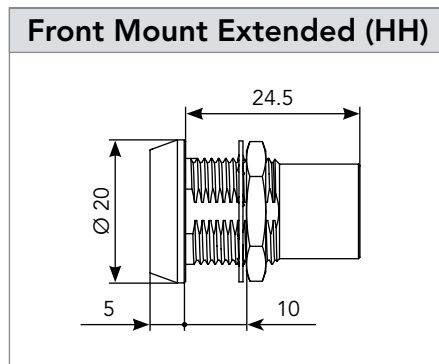
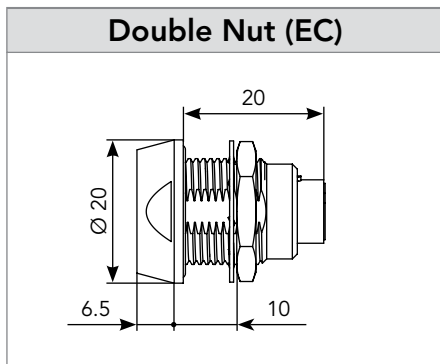
\* In order to get the back nut for protective boot please add «M» after the last «S». Example: JBX Straight Plug, size 2, 3 solder contacts, male insert = JBXFH2G03MSSDSMR. The protective boot need to be ordered separately, see page accessories.

1: In order to get a black Chrome over Nickel please replace «S» before the «D» by one «N». Example: JBX Straight Plug, size 2, 3 solder contacts, male insert = JBXFH2G03MSNDSR.

☁ : Sealed in Unmated Condition

**JBX2-03 - IP68** (3 x Ø 1.6 mm) - See non sealed IP40 version page 46

**Dimensions** (For mated connector lengths see page 51)



## JBX2-03 - IP40 & IP68 (3 x Ø 1.6 mm)

### Accessories

**Receptacle Dust Cap**




Part number  
**JBXBR2**

**Plug Dust Cap**




Part number  
**JBXBF2**

**Grounding Washer**



Part number  
**JAXRA2252**

**Insulating Washer**



Part number	Color
<b>JBX2RIA</b>	Blue
<b>JBX2RIB</b>	White
<b>JBX2RIG</b>	Grey
<b>JBX2RIJ</b>	Yellow
<b>JBX2RIM</b>	Brown
<b>JBX2RIN</b>	Black
<b>JBX2RIR</b>	Red
<b>JBX2RIV</b>	Green
<b>JBX2RIO</b>	Orange

Note : Insulating washers are not compatible with the IP68 versions

**Protective Boot**

Available only for PC - FC - FD - SA, FH, with back nut protective boot 



Part number	Color
<b>JBX2MPA</b>	Blue
<b>JBX2MPB</b>	White
<b>JBX2MPG</b>	Grey
<b>JBX2MPJ</b>	Yellow
<b>JBX2MPM</b>	Brown
<b>JBX2MPN</b>	Black
<b>JBX2MPR</b>	Red
<b>JBX2MPV</b>	Green
<b>JBX2MPO</b>	Orange

The overall length is 25 mm longer with the protective boot.  
Note: The protective boot is not a sealing element.

### Tooling

**Crimp Tooling**




Part number  
**MIL-22520/1-01**

**Locator**



Part number  
**JBX2OUTLP16**

**Extraction Tool**



Part number  
**JBXOUTDC16**



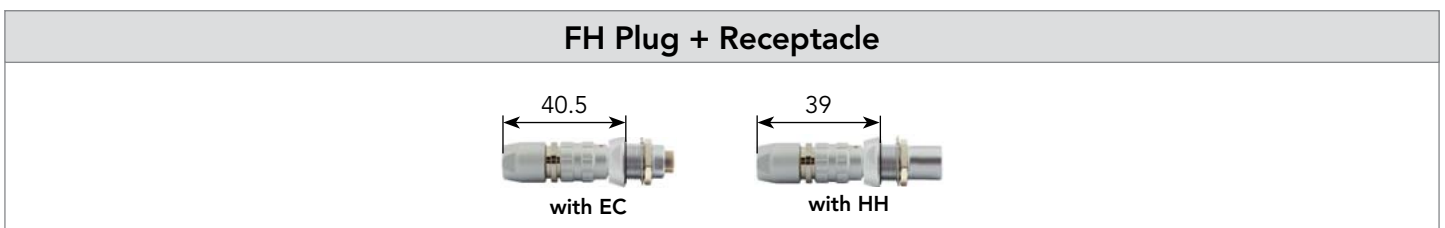
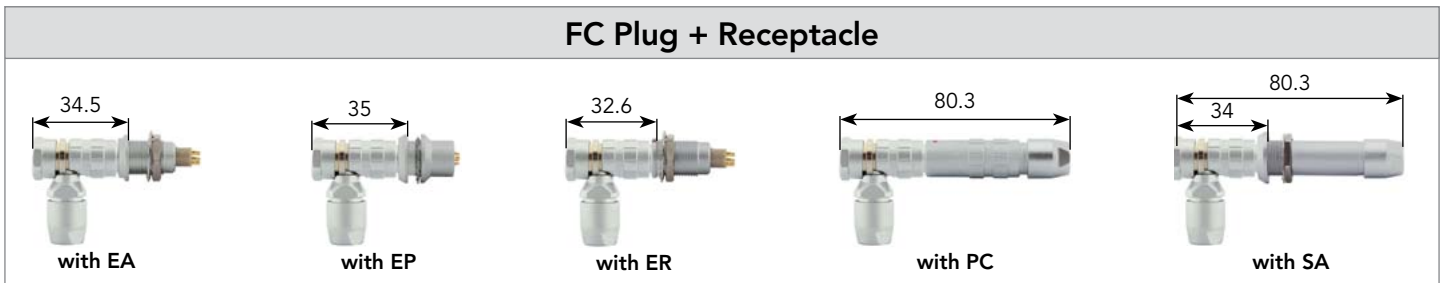
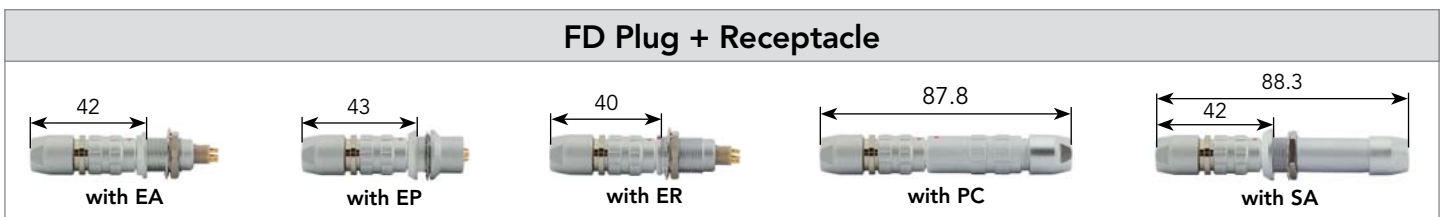
## JBX2-03 - IP40 & IP68 (3 x Ø 1.6 mm)

### Contacts

Ø 1.6 mm	Contact type	Plating	Contact locking type	AWG
Solder	Machined	0.5 µm gold over 3 to 5 µm Ni	Removable	18
Crimp	Machined	0.5 µm gold over 3 to 5 µm Ni	Removable	14 - 16 - 18

For more information see pages 231 to 232

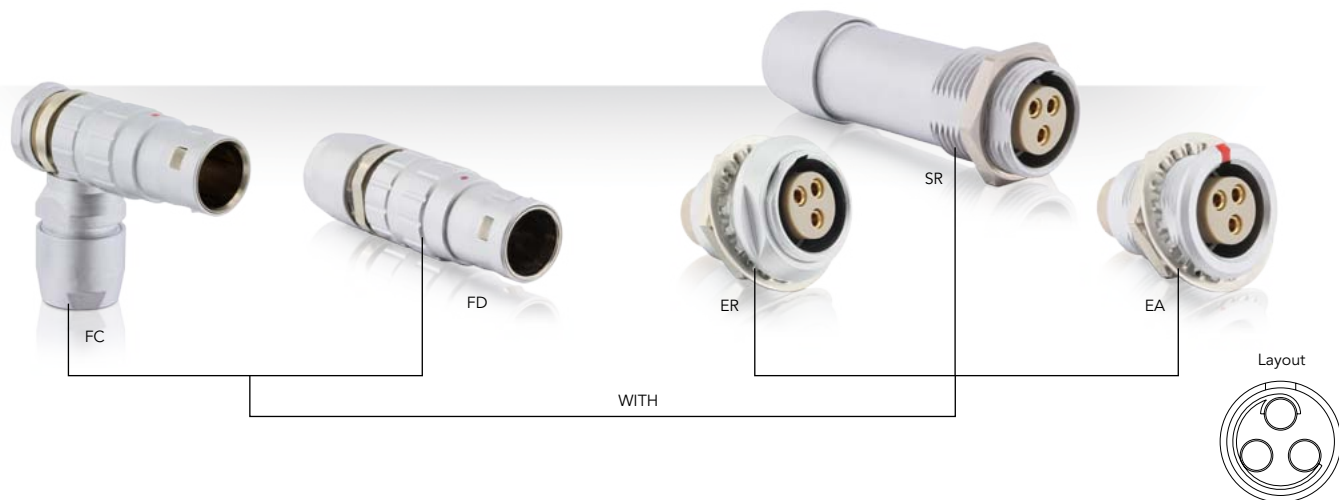
### Mated Connector Length



Electrical Characteristics
<p><b>UL</b> 17A 830V UL94 V-0</p>

Note: all dimensions are in mm

**JBX3-03 - IP40** (3 x Ø 2.0 mm)



**Connector Part Number**

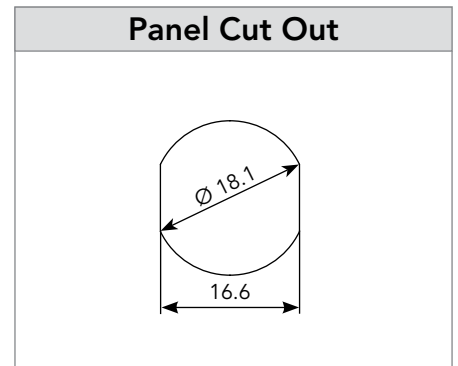
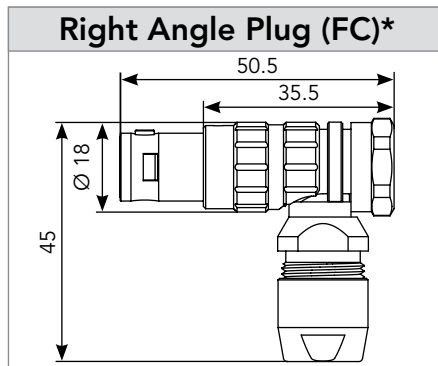
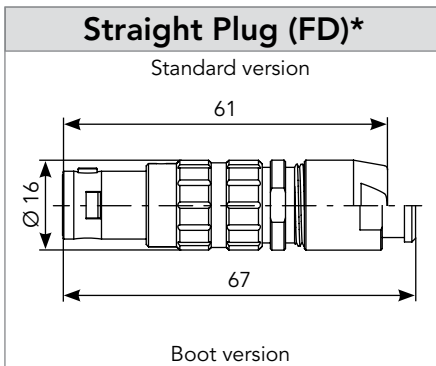
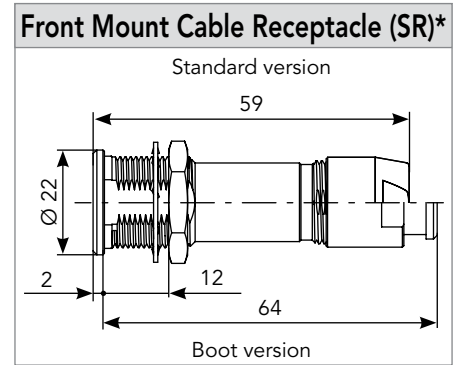
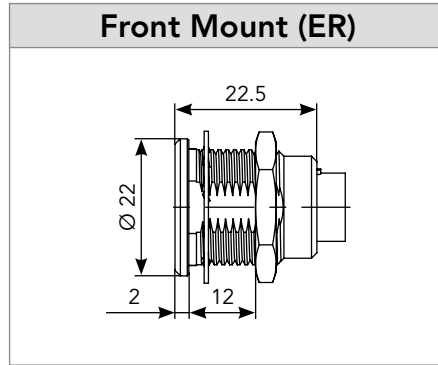
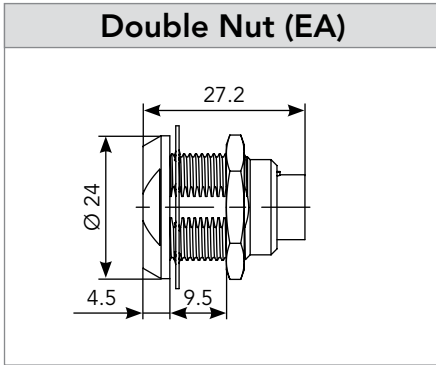
Contact type	Connector type	Description	Part number <sup>(1)</sup>	
			Male insert	Female insert
Solder contacts see page 55	Receptacle	Double nut (EA)	<b>JBXEA3G03MSSDS</b>	<b>JBXEA3G03FSSDS</b>
		Front mount (ER)	<b>JBXER3G03MSSDSR</b>	<b>JBXER3G03FSSDSR</b>
		Front mount cable (SR) *	<b>JBXSR3G03MSSDSR</b>	<b>JBXSR3G03FSSDSR</b>
	Plug	Straight plug (FD) *	<b>JBXFD3G03MSSDSR</b>	<b>JBXFD3G03FSSDSR</b>
Crimp contacts see page 55	Receptacle	Double nut (EA)	<b>JBXEA3G03MCSDS</b>	<b>JBXEA3G03FCSDS</b>
		Front mount (ER)	<b>JBXER3G03MCSDSR</b>	<b>JBXER3G03FCSDSR</b>
	Plug	Right angle plug (FC) *	<b>JBXFC3G03MCSDSR</b>	<b>JBXFC3G03FCSDSR</b>
		Straight plug (FD) *	<b>JBXFD3G03MCSDSR</b>	<b>JBXFD3G03FCSDSR</b>

\* In order to get the back nut for protective boot please add «M» after the last «S». Example: JBX Straight Plug, size 3, 3 solder contacts, male insert = JBXFD3G03MSSDSMR. The protective boot need to be ordered separately, see page accessories.

(1): In order to get a black Chrome over Nickel please replace «S» before the «D» by one «N». Example: JBX Straight Plug, size 3, 3 solder contacts, male insert = JBXFD3G03MSNDSR.

**JBX3-03 - IP40** (3 x Ø 2.0 mm)

**Dimensions** (For mated connector lengths see page 55)



Note: all dimensions are in mm

**JBX3-03 - IP40** (3 x Ø 2.0 mm)

**Accessories**

**Receptacle Dust Cap**




Part number
<b>JBXBR3</b>

**Plug Dust Cap**




Part number
<b>JBXBF3</b>

**Grounding Washer**



Part number
<b>JAXRA3252</b>

**Insulating Washer**



Part number	Color
<b>JBX3RIA</b>	Blue
<b>JBX3RIB</b>	White
<b>JBX3RIG</b>	Grey
<b>JBX3RIJ</b>	Yellow
<b>JBX3RIM</b>	Brown
<b>JBX3RIN</b>	Black
<b>JBX3RIR</b>	Red
<b>JBX3RIV</b>	Green
<b>JBX3RIO</b>	Orange

Note : Insulating washers are not compatible with the IP68 versions

**Protective Boot**

Available only for FC - FD - SR, with back nut protective boot 



Part number	Color
<b>JBX3MPA</b>	Blue
<b>JBX3MPB</b>	White
<b>JBX3MPG</b>	Grey
<b>JBX3MPJ</b>	Yellow
<b>JBX3MPM</b>	Brown
<b>JBX3MPN</b>	Black
<b>JBX3MPR</b>	Red
<b>JBX3MPV</b>	Green
<b>JBX3MPO</b>	Orange

The overall length is 28.5 mm longer with the protective boot.  
Note: The protective boot is not a sealing element.

**Tooling**

**Crimp Tooling**



Part number
<b>MIL-22520/1-01</b>

**Locator**



Part number
<b>JBX3OUTLP20</b>

**Extraction Tool**



Part number
<b>JBXOUTDC20</b>


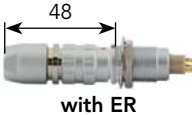
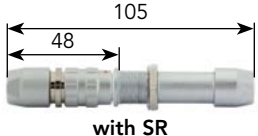


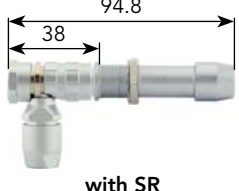
**JBX3-03 - IP40** (3 x Ø 2.0 mm)

**Contacts**

Ø 2.0 mm	Contact type	Plating	Contact locking type	AWG
Solder	Machined	0.5 µm gold over 3 to 5 µm Ni	Removable	16
Crimp	Machined	0.5 µm gold over 3 to 5 µm Ni	Removable	12 - 14 - 16

For more information see pages 231 and 232

**Mated Connector Length**

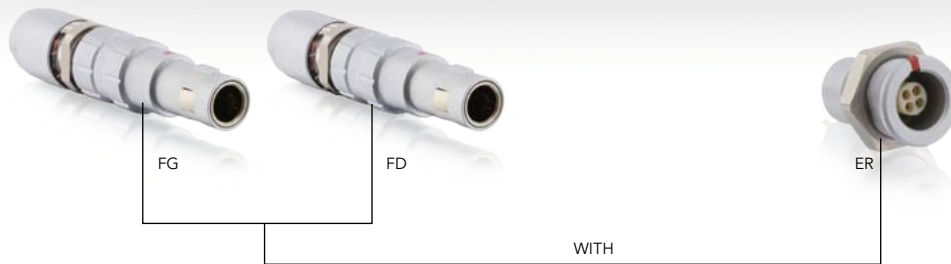
FD Plug + Receptacle		
 <p>50.8 with EA</p>	 <p>48 with ER</p>	 <p>105 48 with SR</p>
FC Plug + Receptacle		
 <p>40.8 with EA</p>	 <p>38 with ER</p>	 <p>94.8 38 with SR</p>

Connector

Electrical Characteristics
<p><b>UL</b> 25A 1,600V UL94 V-0</p>

Note: all dimensions are in mm

## JBX00-04 - IP40 (4 x Ø 0.5mm)



Layout



### Connector IP40 Part Number

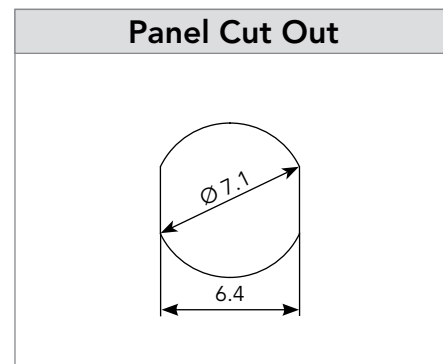
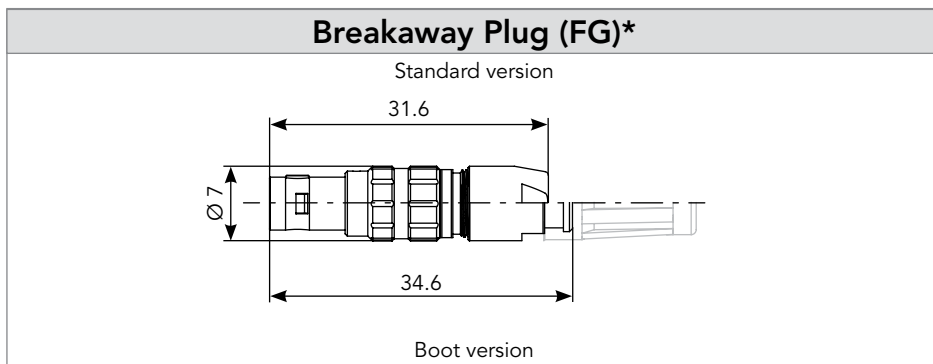
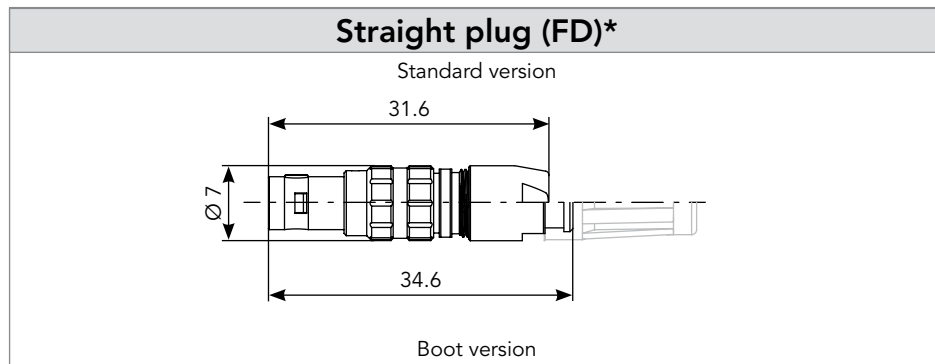
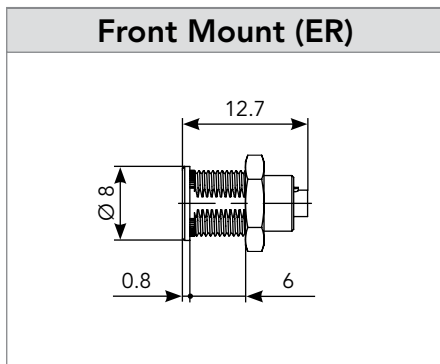
Contact type	Connector type	Description	Part number <sup>(1)</sup>	
			Male insert	Female insert
Solder contacts see page 59	Receptacle	Front mount (ER)	<b>JBXER00G04MSSDSR</b>	<b>JBXER00G04FSSDSR</b>
	Plug	Straight plug (FD) *	<b>JBXFD00G04MSSDSR</b>	<b>JBXFD00G04FSSDSR</b>
		Breakaway plug (FG) *	<b>JBXFG00G04MSSDSR</b>	<b>JBXFG00G04FSSDSR</b>

\* In order to get the back nut for protective boot please add «M» after the last «S». Example: JBX Straight Plug, size 00, 4 solder contacts, male insert = JBXFD00G04MSSDSMR. The protective boot need to be ordered separately, see page accessories.

(1): In order to get a black Chrome over Nickel please replace «S» before the «D» by one «N». Example: JBX Straight Plug, size 00, 4 solder contacts, male insert = JBXFD00G04MSNDSR.

**JBX00-04 - IP40** (4 x Ø 0.5mm)

**Dimensions** (For mated connector lengths see page 59)



**JBX00-04 - IP40 & IP68** (4 x Ø 0.5mm)

**Accessories**

**Receptacle Dust Cap**




Part number
<b>JBXBR00</b>

**Plug Dust Cap**




Part number
<b>JBXBF00</b>

**Grounding Washer**



Part number
<b>JAXRA00251</b>

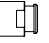
**Insulating Washer**




Part number	Color
<b>JBX00RIA</b>	Blue
<b>JBX00RIB</b>	White
<b>JBX00RIG</b>	Grey
<b>JBX00RIJ</b>	Yellow
<b>JBX00RIM</b>	Brown
<b>JBX00RIN</b>	Black
<b>JBX00RIR</b>	Red
<b>JBX00RIV</b>	Green
<b>JBX00RIO</b>	Orange

Note : Insulating washers are not compatible with the IP68 versions

**Protective Boot**

Available only for FD & FG, with back nut protective boot 



Part number	Color
<b>JBX00MPA</b>	Blue
<b>JBX00MPB</b>	White
<b>JBX00MPG</b>	Grey
<b>JBX00MPJ</b>	Yellow
<b>JBX00MPM</b>	Brown
<b>JBX00MPN</b>	Black
<b>JBX00MPR</b>	Red
<b>JBX00MPV</b>	Green
<b>JBX00MPO</b>	Orange

The overall length is 12 mm longer with the protective boot.  
 Note: The protective boot is not a sealing element.



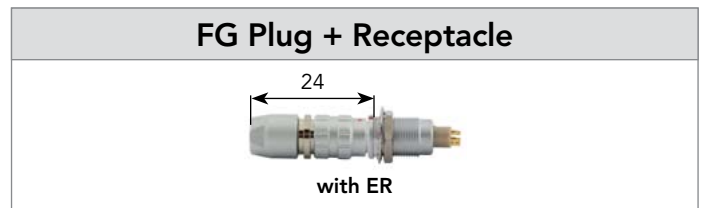
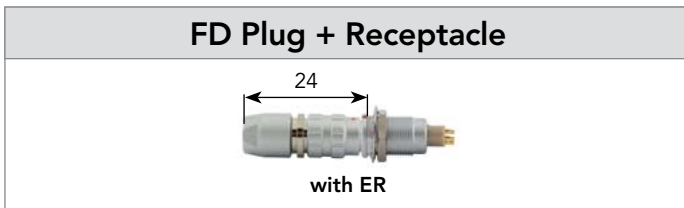
## JBX00-04 - IP40 & IP68 (4 x Ø 0.5mm)

### Contacts

Ø 0.5 mm	Contact type	Plating	Contact locking type	AWG - Wire max.
Solder	Machined	0.5 µm gold over 3 to 5 µm Ni	Fixed	30

For more information see page 231

### Mated Connector Length

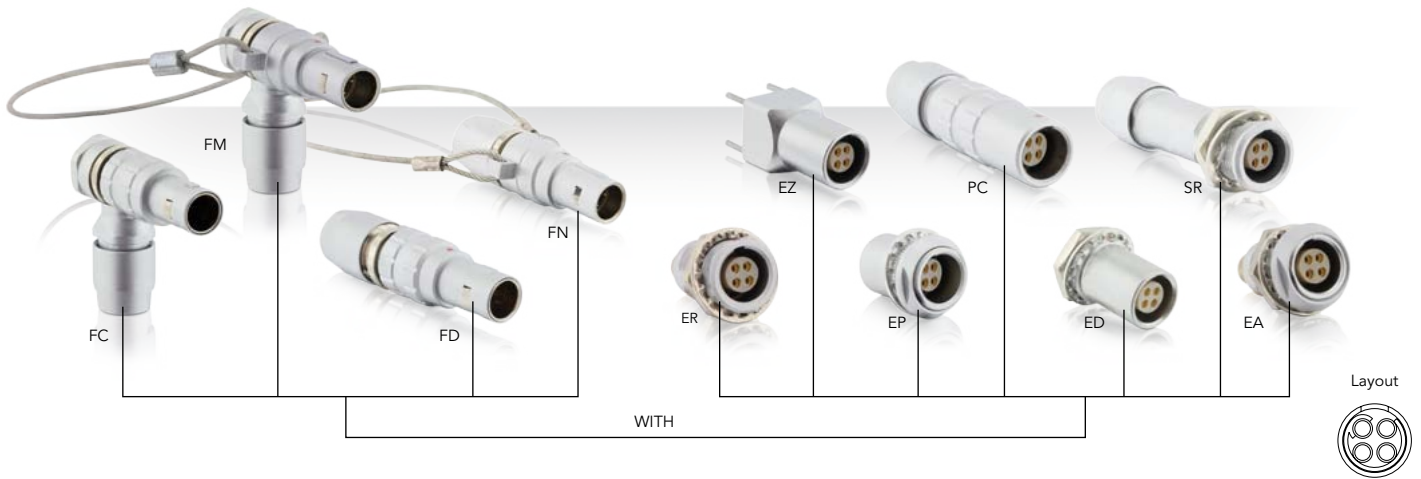


### Electrical Characteristics

**UL**  
2A 500V UL94 V-0

Note: all dimensions are in mm

**JBX0-04 - IP40 (4 x Ø 0.7mm) - See waterproof IP68 version page 62**



**Connector Part Number**

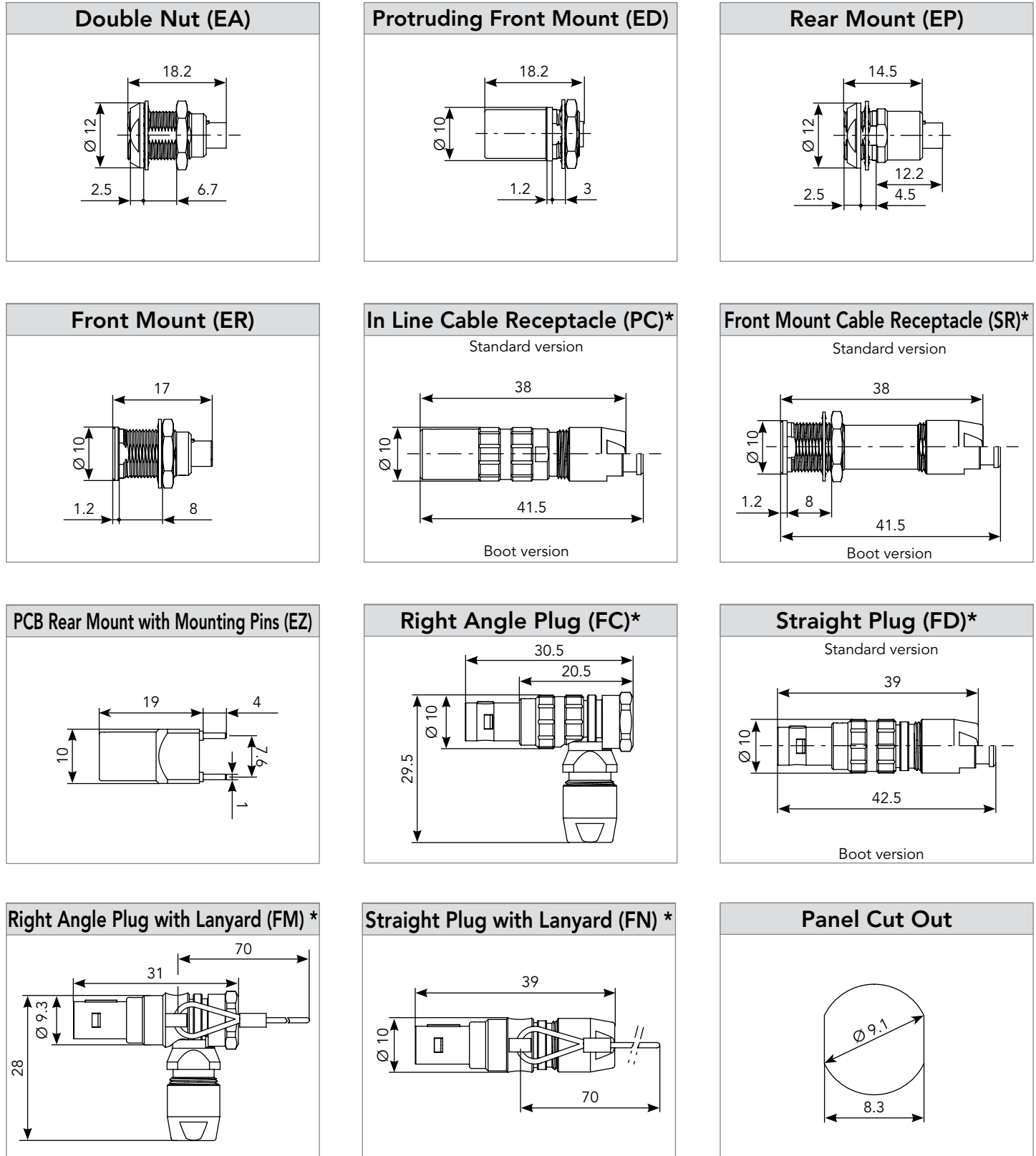
Contact type	Connector type	Description	Part number <sup>(1)</sup>	
			Male insert	Female insert
Solder contacts see page 65	Receptacle	Double nut (EA)	<b>JBXEA0G04MSSDS</b>	<b>JBXEA0G04FSSDS</b>
		Protruding front mount (ED)	<b>JBXED0G04MSSDSR</b>	<b>JBXED0G04FSSDSR</b>
		Rear mount (EP)	<b>JBXEP0G04MSSDS</b>	<b>JBXEP0G04FSSDS</b>
		Front mount (ER)	<b>JBXER0G04MSSDSR</b>	<b>JBXER0G04FSSDSR</b>
		In line cable (PC) *	<b>JBXPC0G04MSSDSR</b>	<b>JBXPC0G04FSSDSR</b>
	Plug	Right angle plug (FC) *	<b>JBXFC0G04MSSDSR</b>	<b>JBXFC0G04FSSDSR</b>
		Straight plug (FD) *	<b>JBXFD0G04MSSDSR</b>	<b>JBXFD0G04FSSDSR</b>
		Right Angle plug with lanyard (FM) *	<b>JBXFM0G04MSSDSR</b>	<b>JBXFM0G04FSSDSR</b>
Crimp contacts see page 65	Receptacle	Double nut (EA)	<b>JBXEA0G04MCSDS</b>	<b>JBXEA0G04FCSDS</b>
		Protruding front mount (ED)	<b>JBXED0G04MCSDSR</b>	<b>JBXED0G04FCSDSR</b>
		Rear mount (EP)	<b>JBXEP0G04MCSDS</b>	<b>JBXEP0G04FCSDS</b>
		Front mount (ER)	<b>JBXER0G04MCSDSR</b>	<b>JBXER0G04FCSDSR</b>
		In line cable (PC) *	<b>JBXPC0G04MCSDSR</b>	<b>JBXPC0G04FCSDSR</b>
	Plug	Front mount cable (SR) *	<b>JBXSR0G04MCSDSR</b>	<b>JBXSR0G04FCSDSR</b>
		Right angle plug (FC) *	<b>JBXFC0G04MCSDSR</b>	<b>JBXFC0G04FCSDSR</b>
		Straight plug (FD) *	<b>JBXFD0G04MCSDSR</b>	<b>JBXFD0G04FCSDSR</b>
Straight PCB contacts see page 65	Receptacle	Double nut (EA)	<b>JBXEA0G04MPSDS</b>	<b>JBXEA0G04FPSDS</b>
		Rear mount (EP)	<b>JBXEP0G04MPSDS</b>	<b>JBXEP0G04FPSDS</b>
		PCB rear mount with mounting pins (EZ)	<b>JBXEZ0G04MPSDSR</b>	<b>JBXEZ0G04FPSDSR</b>
90° PCB contacts see page 65	Receptacle	Double nut (EA)	-	<b>JBXEA0G04FQSDS</b>
		Protruding front mount (ED)	-	<b>JBXED0G04FQSDSR</b>
		Rear mount (EP)	-	<b>JBXEP0G04FQSDS</b>

\* In order to get the back nut for protective boot please add «M» after the last «S». Example: JBX Straight Plug, size 0, 4 solder contacts, male insert = JBXFD0G04MSSDSMR.   : First choice  
The protective boot need to be ordered separately, see page accessories.

(1): In order to get a black Chrome over Nickel please replace «S» before the «D» by one «N». Example: JBX Straight Plug, size 0, 4 solder contacts, male insert = JBXFD0G04MSNDSR.

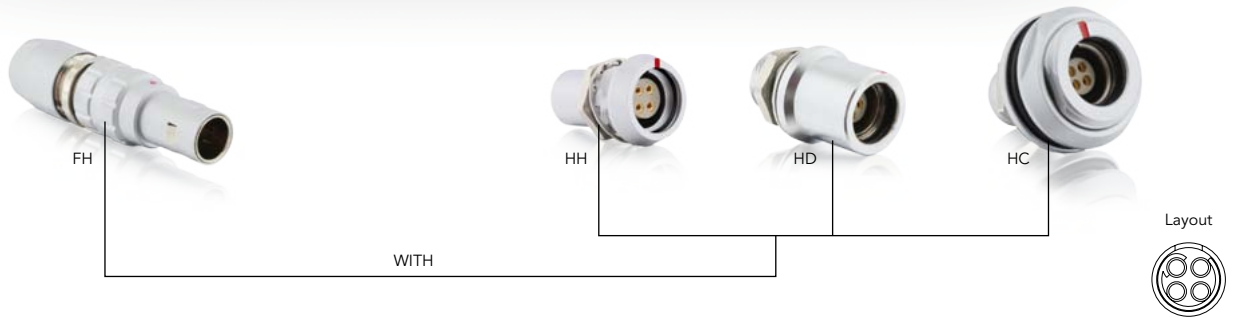
**JBX0-04 - IP40** (4 x Ø 0.7mm) - See waterproof IP68 version page 62

**Dimensions** (For mated connector lengths see page 65)



Note: all dimensions are in mm

**JBX0-04 - IP68** (4 x Ø 0.7mm) - See non sealed IP40 version page 60



**Connector Part Number**

Contact type	Connector type	Description	Part number <sup>(1)</sup>	
			Male insert	Female insert
Solder contacts see page 65	Receptacle	Rear mount (HC) ☁	<b>JBXHC0G04MSSDSR</b>	<b>JBXHC0G04FSSDSR</b>
		Protruding front mount (HD) ☁	<b>JBXHD0G04MSSDSR</b>	<b>JBXHD0G04FSSDSR</b>
		Front mount extended (HH) ☁	<b>JBXHH0G04MSSDSR</b>	<b>JBXHH0G04FSSDSR</b>
	Plug	Straight plug (FH) *	<b>JBXFH0G04MSSDSR</b>	<b>JBXFH0G04FSSDSR</b>
Crimp contacts see page 65	Receptacle	Protruding front mount (HD)	<b>JBXHD0G04MCSDSR</b>	<b>JBXHD0G04FCSDSR</b>
		Front mount extended (HH)	<b>JBXHH0G04MCSDSR</b>	<b>JBXHH0G04FCSDSR</b>
	Plug	Straight plug (FH) * ☁	<b>JBXFH0G04MCSDSR</b>	<b>JBXFH0G04FCSDSR</b>
Straight PCB contacts see page 65	Receptacle	Rear mount (HC) ☁	<b>JBXHC0G04MPSDSR</b>	<b>JBXHC0G04FPSDSR</b>

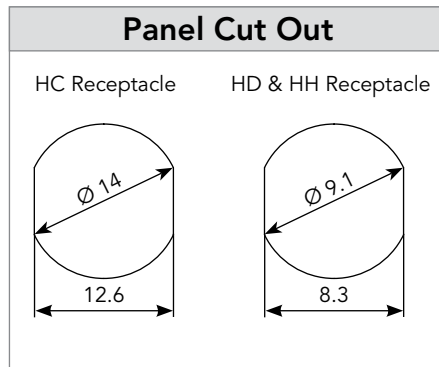
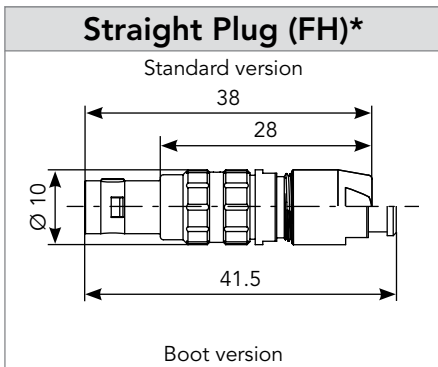
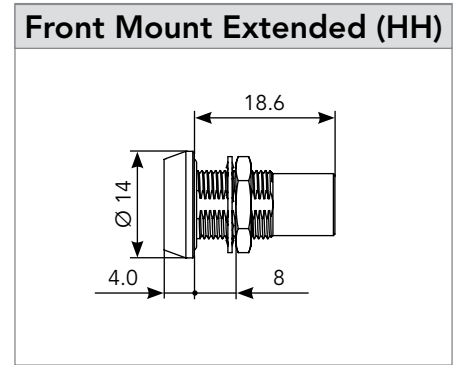
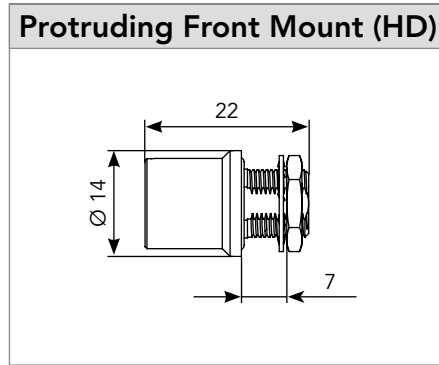
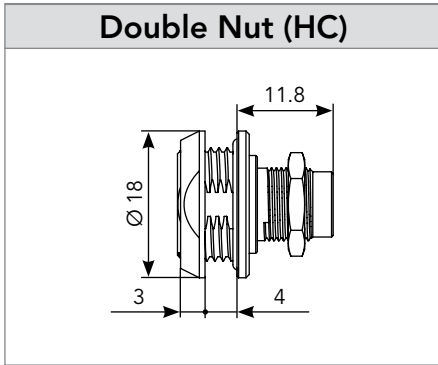
\* In order to get the back nut for protective boot please add «M» after the last «S». Example: JBX Straight Plug, size 0, 4 solder contacts, male insert = JBXFH0G04MSSDSMR. ☐ : First choice  
 The protective boot need to be ordered separately, see page accessories.

1: In order to get a black Chrome over Nickel please replace «S» before the «D» by one «N». Example: JBX Straight Plug, size 0, 4 solder contacts, male insert = JBXFH0G04MSNDSR.

☁ : Sealed in Unmated Condition

**JBX0-04 - IP68** (4 x Ø 0.7mm) - See non sealed IP40 version page 60

**Dimensions** (For mated connector lengths see page 65)



Note: all dimensions are in mm

## JBX0-04 - IP40 & IP68 (4 x Ø 0.7mm)

### Accessories

**Receptacle Dust Cap**




Part number
<b>JBXBRØ</b>

**Plug Dust Cap**




Part number
<b>JBXBFØ</b>

**Grounding Washer**



Part number
<b>JAXRAØ251</b>

**Insulating Washer**



Part number	Color
<b>JBXØRIA</b>	Blue
<b>JBXØRIB</b>	White
<b>JBXØRIG</b>	Grey
<b>JBXØRIJ</b>	Yellow
<b>JBXØRIM</b>	Brown
<b>JBXØRIN</b>	Black
<b>JBXØRIR</b>	Red
<b>JBXØRIV</b>	Green
<b>JBXØRIO</b>	Orange

Note : Insulating washers are not compatible with the IP68 versions

**Protective Boot**

Available only for PC - FC - FD - FM - FN - SR - FH, with back nut protective boot 



Part number	Color
<b>JBXØMPA</b>	Blue
<b>JBXØMPB</b>	White
<b>JBXØMPG</b>	Grey
<b>JBXØMPJ</b>	Yellow
<b>JBXØMPM</b>	Brown
<b>JBXØMPN</b>	Black
<b>JBXØMPR</b>	Red
<b>JBXØMPV</b>	Green
<b>JBXØMPO</b>	Orange

The overall length is 17 mm longer with the protective boot.  
Note: The protective boot is not a sealing element.


### Tooling

**Crimp Tooling**



Part number
<b>MIL-22520/7-01</b>

**Locator**



Part number	
Male	Female
<b>JBXØOUTLPØ7</b>	<b>JBXØOUTLSØ7</b>

**Extraction Tool**



Part number
<b>JBXOUTDCØ7</b>

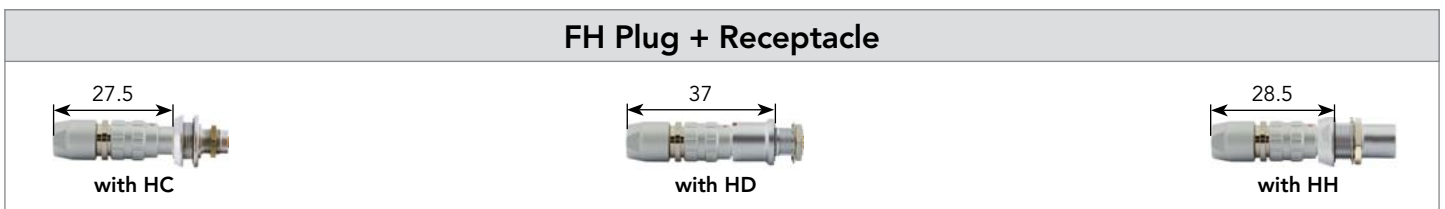
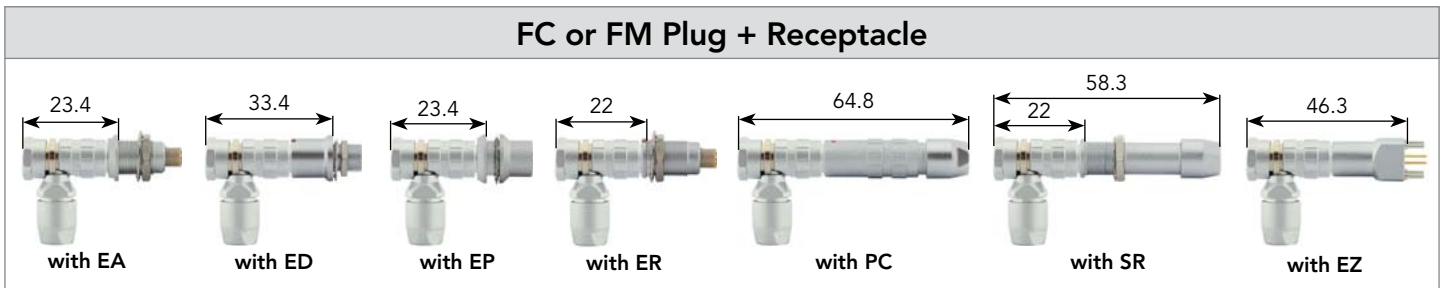
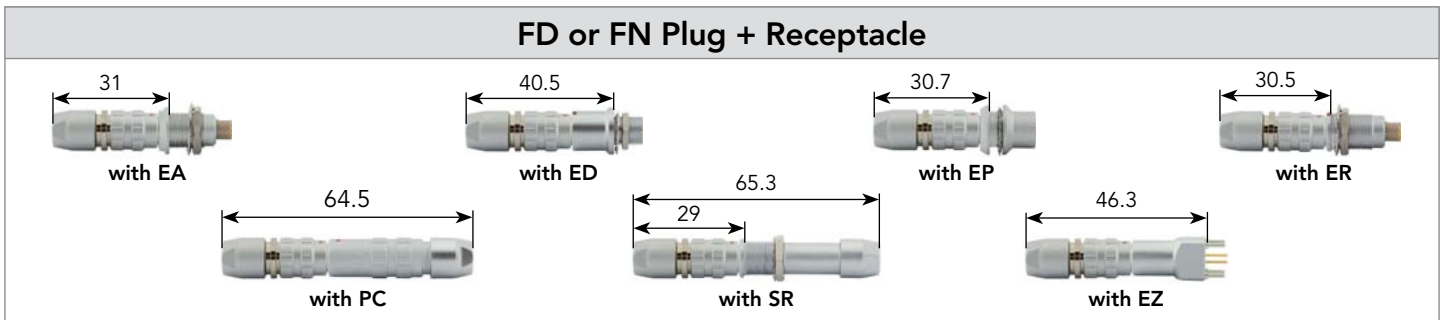
## JBX0-04 - IP40 & IP68 (4 x Ø 0.7mm)

### Contacts

Ø 0.7 mm	Contact type	Plating	Contact locking type	AWG
Solder	Machined	0.5 µm gold over 3 to 5 µm Ni	Fixed	22
Crimp	Machined	0.5 µm gold over 3 to 5 µm Ni	Removable	22 - 24 - 26
Straight PCB	Machined	0.5 µm gold over 3 to 5 µm Ni	Fixed	-
90° PCB	Machined	0.5 µm gold over 3 to 5 µm Ni	Removable	-

For more information see pages 231 to 234

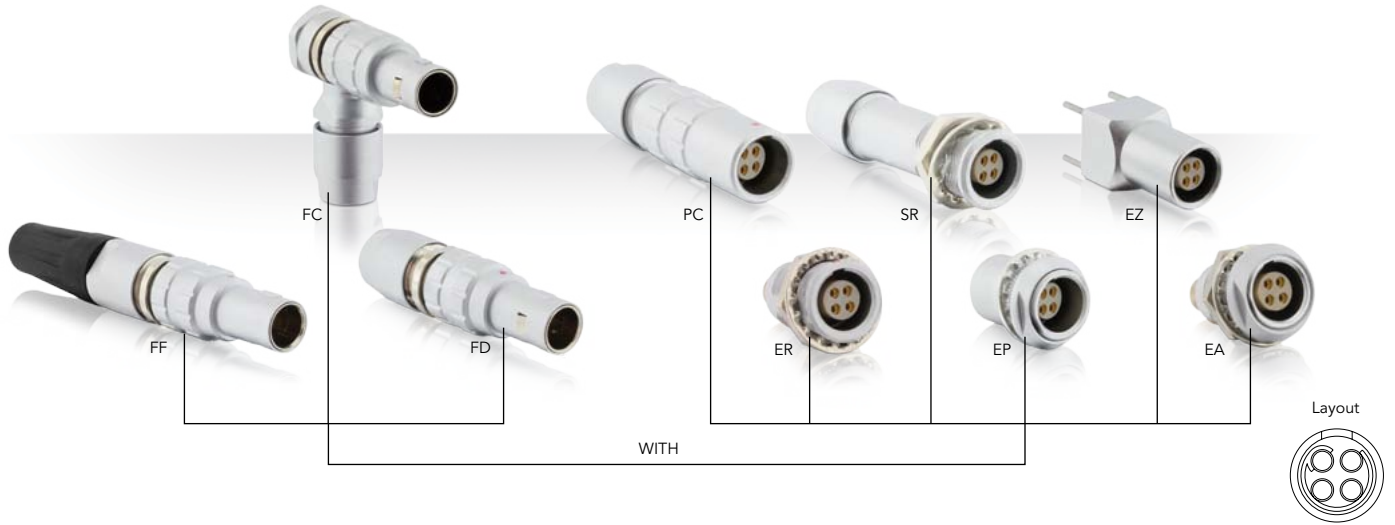
### Mated Connector Length



Electrical Characteristics
<p><b>UL</b> 7A 660V UL94 V-0</p>

Note: all dimensions are in mm

**JBX1-04 - IP40 (4 x Ø 0.9 mm)**



**Connector Part Number**

Contact type	Connector type	Description	Part number <sup>(1)</sup>	
			Male insert	Female insert
Solder contacts see page 69	Receptacle	Double nut (EA)	<b>JBXEA1G04MSSDS</b>	<b>JBXEA1G04FSSDS</b>
		Rear mount (EP)	<b>JBXEP1G04MSSDS</b>	<b>JBXEP1G04FSSDS</b>
		Front mount (ER)	<b>JBXER1G04MSSDSR</b>	<b>JBXER1G04FSSDSR</b>
		In line cable (PC) *	<b>JBXPC1G04MSSDSR</b>	<b>JBXPC1G04FSSDSR</b>
		Front mount cable (SR) *	<b>JBXSR1G04MSSDSR</b>	<b>JBXSR1G04FSSDSR</b>
	Plug	Straight plug (FD) *	<b>JBXFD1G04MSSDSR</b>	<b>JBXFD1G04FSSDSR</b>
Straight plug no latch with black protective boot (FF)		<b>JBXFF1G04MSSDSR</b>	<b>JBXFF1G04FSSDSR</b>	
Crimp contacts see page 69	Receptacle	Double nut (EA)	<b>JBXEA1G04MCSDS</b>	<b>JBXEA1G04FCSDS</b>
		Front mount (ER)	<b>JBXER1G04MCSDSR</b>	<b>JBXER1G04FCSDSR</b>
		In line cable (PC) *	<b>JBXPC1G04MCSDSR</b>	<b>JBXPC1G04FCSDSR</b>
	Plug	Right angle plug (FC) *	<b>JBXFC1G04MCSDSR</b>	<b>JBXFC1G04FCSDSR</b>
		Straight plug (FD) *	<b>JBXFD1G04MCSDSR</b>	<b>JBXFD1G04FCSDSR</b>
Straight PCB contacts see page 69	Receptacle	Double nut (EA)	-	<b>JBXEA1G04FPSDS</b>
		Front mount (ER)	-	<b>JBXER1G04FPSDSR</b>
		PCB rear mount with mounting pins (EZ)	-	<b>JBXEZ1G04FPSDSR</b>
90° PCB contacts see page 69	Receptacle	Double nut (EA)	-	<b>JBXEA1G04FQSDS</b>
		Rear mount (EP)	-	<b>JBXEP1G04FQSDS</b>

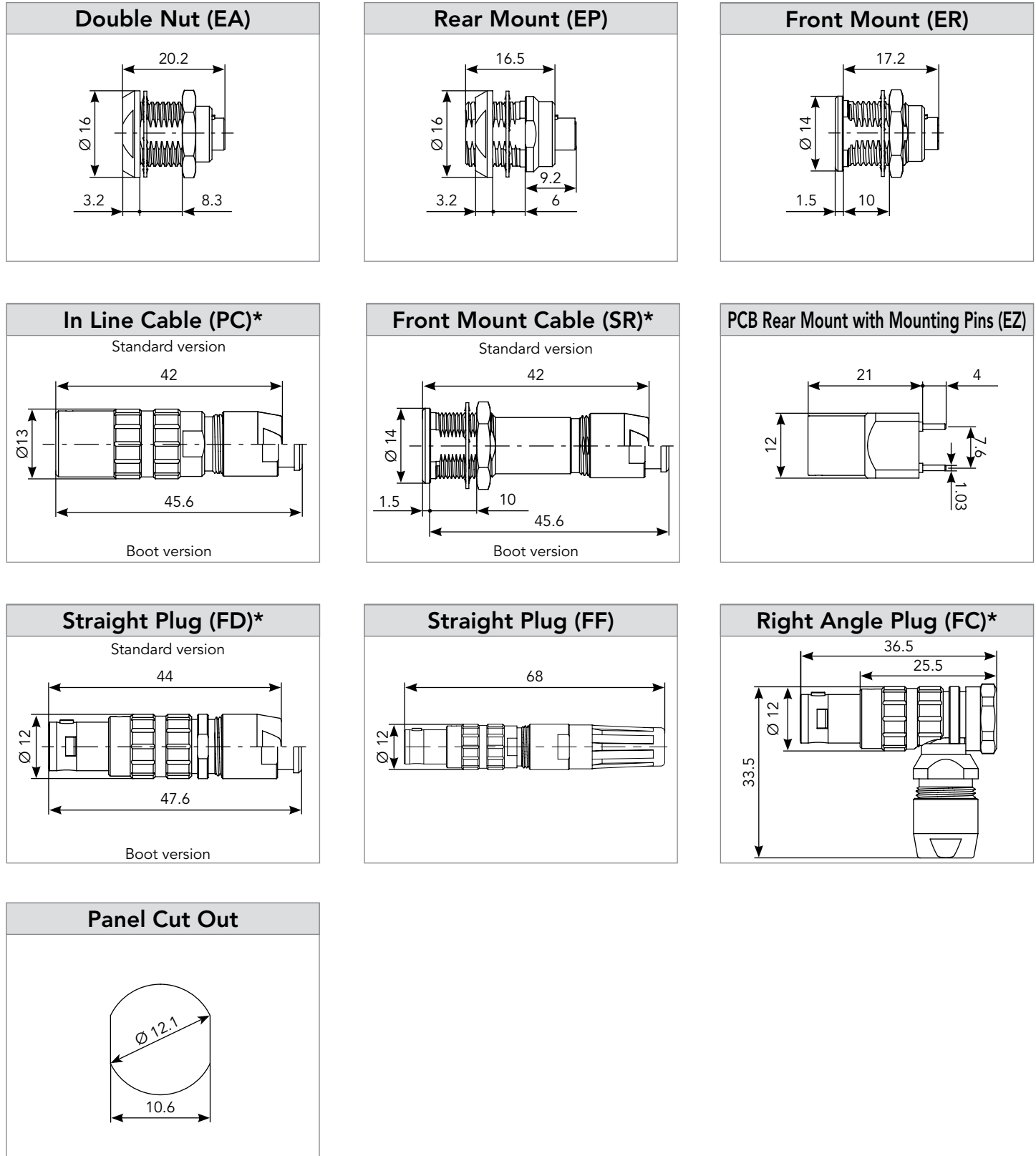
\* In order to get the back nut for protective boot please add «M» after the last «S». Example: JBX Straight Plug, size 1, 4 solder contacts, male insert = JBXFD1G04MSSDSMR. ■ : First choice  
The protective boot need to be ordered separately, see page accessories.

(1): In order to get a black Chrome over Nickel please replace «S» before the «D» by one «N». Example: JBX Straight Plug, size 1, 4 solder contacts, male insert = JBXFD1G04MSNDSR.



**JBX1-04 - IP40** (4 x Ø 0.9 mm)

**Dimensions** (For mated connector lengths see page 69)



**JBX1-04 - IP40** (4 x Ø 0.9 mm)

**Receptacle Dust Cap**




Part number
<b>JBXBR1</b>

**Plug Dust Cap**




Part number
<b>JBXBF1</b>

**Grounding Washer**



Part number
<b>JAXRA1251</b>


**Insulating Washer**




Part number	Color
<b>JBX1RIA</b>	Blue
<b>JBX1RIB</b>	White
<b>JBX1RIG</b>	Grey
<b>JBX1RIJ</b>	Yellow
<b>JBX1RIM</b>	Brown
<b>JBX1RIN</b>	Black
<b>JBX1RIR</b>	Red
<b>JBX1RIV</b>	Green
<b>JBX1RIO</b>	Orange

Note : Insulating washers are not compatible with the IP68 versions

**Protective Boot**

Available only for PC - FC - FD - SR, with back nut protective boot 



Part number	Color
<b>JBX1MPA</b>	Blue
<b>JBX1MPB</b>	White
<b>JBX1MPG</b>	Grey
<b>JBX1MPJ</b>	Yellow
<b>JBX1MPM</b>	Brown
<b>JBX1MPN</b>	Black
<b>JBX1MPR</b>	Red
<b>JBX1MPV</b>	Green
<b>JBX1MPO</b>	Orange

The overall length is 21 mm longer with the protective boot.  
Note: The protective boot is not a sealing element.


**Tooling**

**Crimp Tooling**



Part number
<b>MIL-22520/7-01</b>

**Locator**



Part number	
Male	Female
<b>JBX1OUTLP09</b>	<b>JBX1OUTLS09</b>

**Extraction Tool**



Part number
<b>JBXOUTDC09</b>

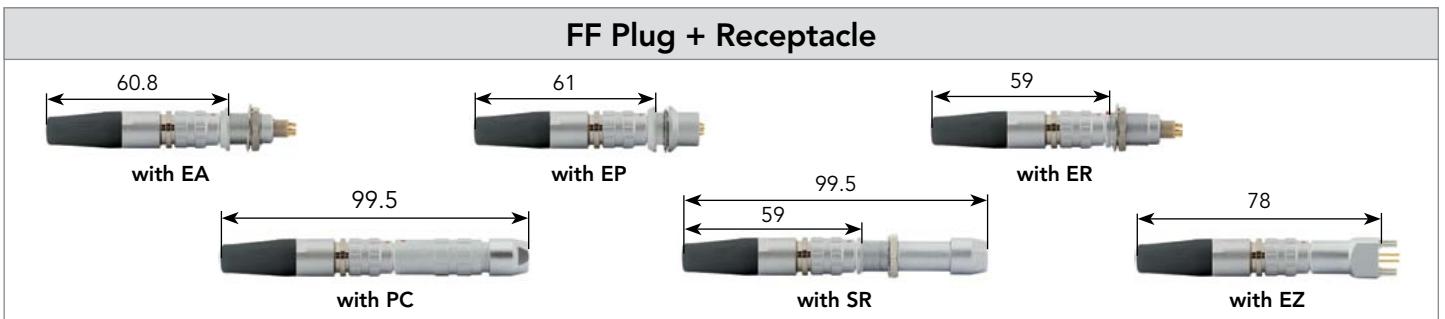
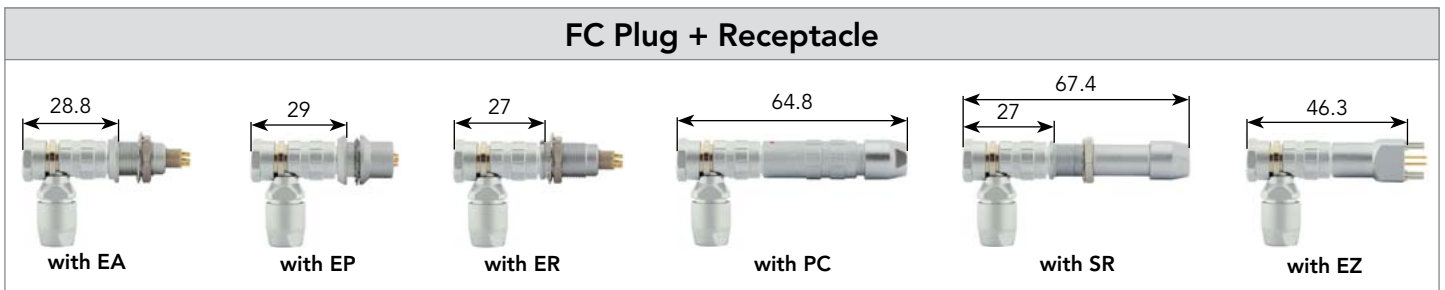
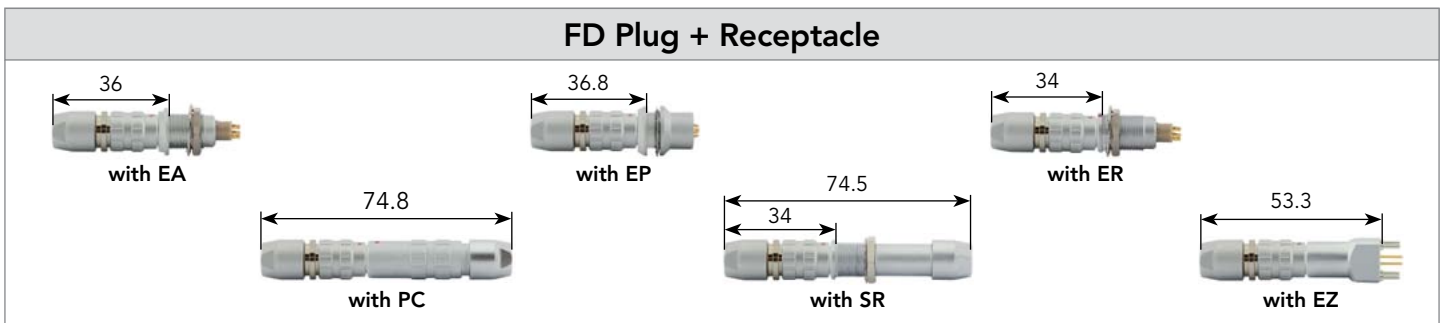
## JBX1-04 - IP40 (4 x Ø 0.9 mm)

### Contacts

Ø 0.9 mm	Contact type	Plating	Contact locking type	AWG
Solder	Machined	0.5 µm gold over 3 to 5 µm Ni	Removable	24
Crimp	Machined	0.5 µm gold over 3 to 5 µm Ni	Removable	20 - 22 - 24
Straight PCB	Machined	0.5 µm gold over 3 to 5 µm Ni	Fixed	-
90° PCB	Machined	0.5 µm gold over 3 to 5 µm Ni	Removable	-

For more information see pages 231 to 234

### Mated Connector Length

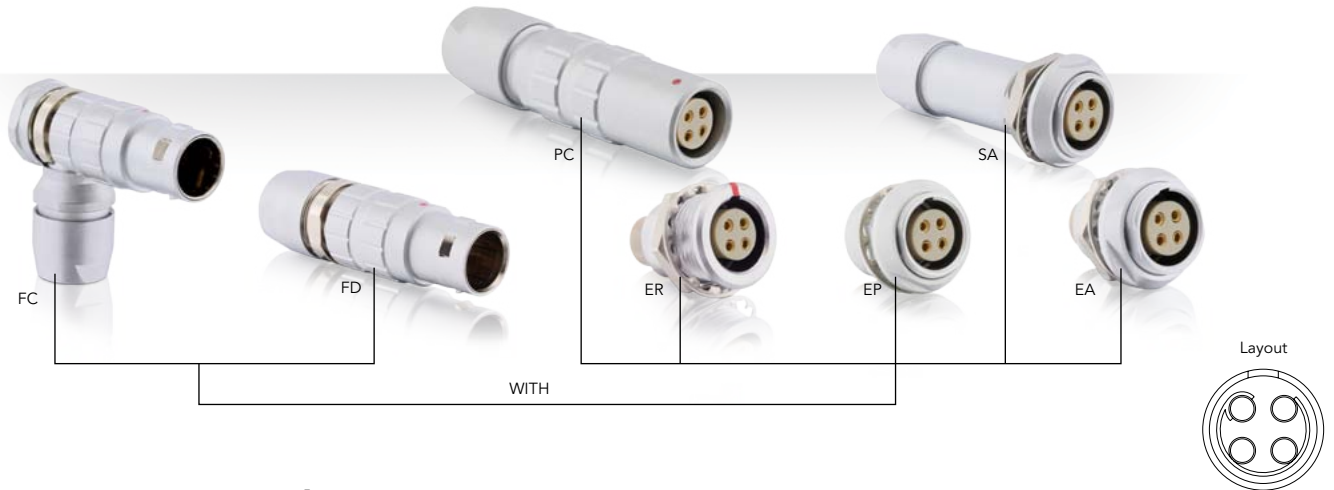


**Electrical Characteristics**

**UL**  
10A 900V UL94 V-0

Note: all dimensions are in mm

**JBX2-04 - IP40 (4 x Ø 1.3 mm) - See waterproof IP68 version page 72**



**Connector Part Number**

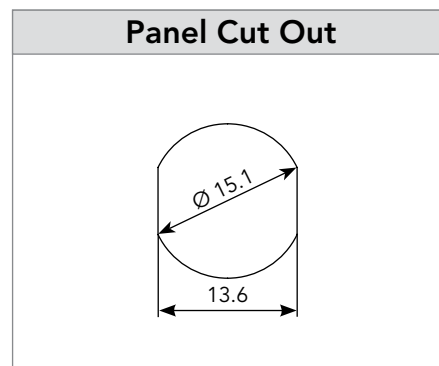
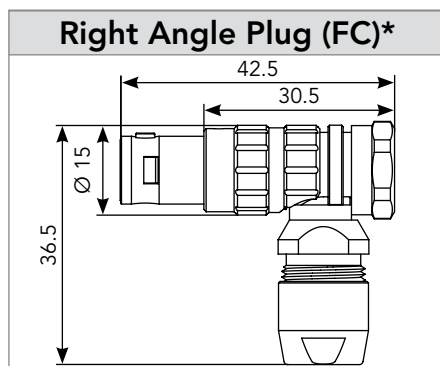
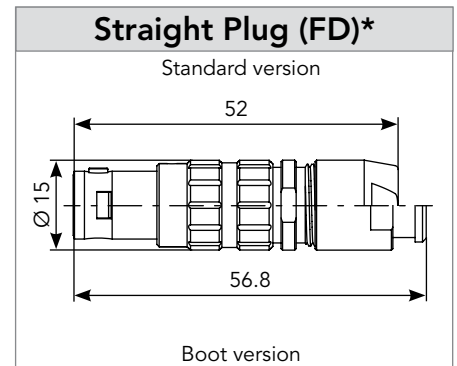
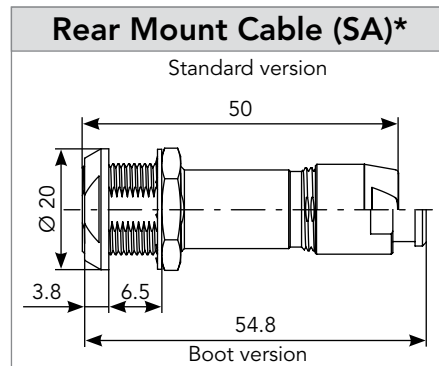
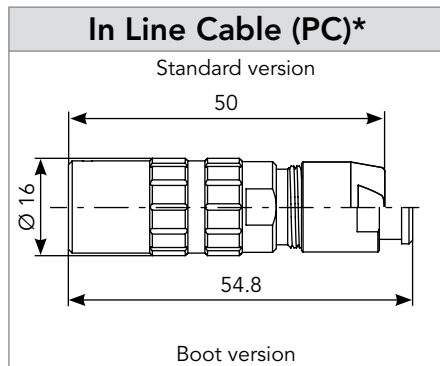
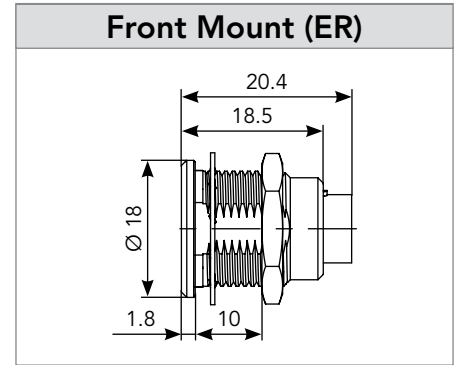
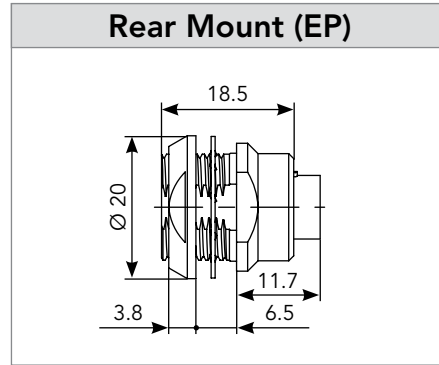
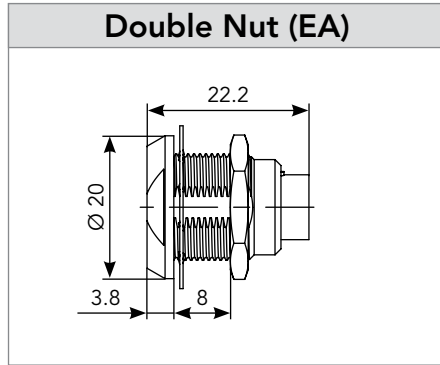
Contact type	Connector type	Description	Part number <sup>(1)</sup>	
			Male insert	Female insert
Solder contacts see page 75	Receptacle	Double nut (EA)	<b>JBXEA2G04MSSDS</b>	<b>JBXEA2G04FSSDS</b>
		Rear mount (EP)	<b>JBXEP2G04MSSDS</b>	<b>JBXEP2G04FSSDS</b>
		Front mount (ER)	<b>JBXER2G04MSSDSR</b>	<b>JBXER2G04FSSDSR</b>
		In line cable (PC) *	<b>JBXPC2G04MSSDSR</b>	<b>JBXPC2G04FSSDSR</b>
	Plug	Straight plug (FD) *	<b>JBXFD2G04MSSDSR</b>	<b>JBXFD2G04FSSDSR</b>
Crimp contacts see page 75	Receptacle	Double nut (EA)	<b>JBXEA2G04MCSDS</b>	<b>JBXEA2G04FCSDS</b>
		Rear mount (EP)	<b>JBXEP2G04MCSDS</b>	<b>JBXEP2G04FCSDS</b>
		Front mount (ER)	<b>JBXER2G04MCSDSR</b>	<b>JBXER2G04FCSDSR</b>
		In line cable (PC) *	<b>JBXPC2G04MCSDSR</b>	<b>JBXPC2G04FCSDSR</b>
		Rear mount cable (SA) *	<b>JBXSA2G04MCSDS</b>	<b>JBXSA2G04FCSDS</b>
	Plug	Right angle plug (FC) *	<b>JBXFC2G04MCSDSR</b>	<b>JBXFC2G04FCSDSR</b>
		Straight plug (FD) *	<b>JBXFD2G04MCSDSR</b>	<b>JBXFD2G04FCSDSR</b>
Straight PCB contacts see page 75	Receptacle	Double nut (EA)	<b>JBXEA2G04MPSDS</b>	<b>JBXEA2G04FPSDS</b>
		Rear mount (EP)	<b>JBXEP2G04MPSDS</b>	<b>JBXEP2G04FPSDS</b>
		Front mount (ER)	<b>JBXER2G04MPSDSR</b>	<b>JBXER2G04FPSDSR</b>

\* In order to get the back nut for protective boot please add «M» after the last «S». Example: JBX Straight Plug, size 2, 4 solder contacts, male insert = JBXFD2G04MSSDSMR.   : First choice  
The protective boot need to be ordered separately, see page accessories.

(1): In order to get a black Chrome over Nickel please replace «S» before the «D» by one «N». Example: JBX Straight Plug, size 2, 4 solder contacts, male insert = JBXFD2G04MSNDSR.

**JBX2-04 - IP40** (4 x Ø 1.3 mm) - See waterproof IP68 version page 72

**Dimensions** (For mated connector lengths see page 75)



Connector

Note: all dimensions are in mm

**JBX2-04 - IP68** (4 x Ø 1.3 mm) - See non sealed IP40 version page 70



**Connector Part Number**

Contact type	Connector type	Description	Part number <sup>(1)</sup>	
			Male insert	Female insert
Solder contacts see page 75	Receptacle	Double nut, front or rear mount (EC)	<b>JBXEC2G04MSSDS</b>	<b>JBXEC2G04FSSDS</b>
		Front mount extended (HH) ☁	<b>JBXHH2G04MSSDSR</b>	<b>JBXHH2G04FSSDSR</b>
	Plug	Straight plug (FH) *	<b>JBXFH2G04MSSDSR</b>	<b>JBXFH2G04FSSDSR</b>
Crimp contacts see page 75	Receptacle	Double nut, front or rear mount (EC)	<b>JBXEC2G04MCSDS</b>	<b>JBXEC2G04FCSDS</b>
		Front mount extended (HH)	<b>JBXHH2G04MCSDSR</b>	<b>JBXHH2G04FCSDSR</b>
	Plug	Straight plug (FH) *	<b>JBXFH2G04MCSDSR</b>	<b>JBXFH2G04FCSDSR</b>
Straight PCB contacts see page 75	Receptacle	Double nut, front or rear mount (EC)	<b>JBXEC2G04MPSDS</b>	<b>JBXEC2G04FPSDS</b>

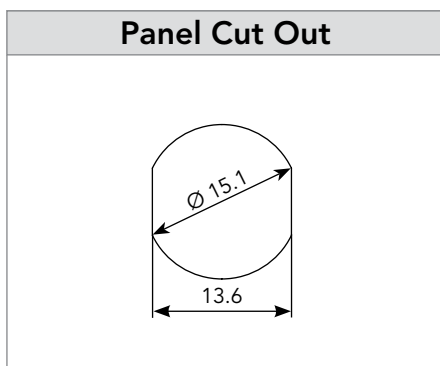
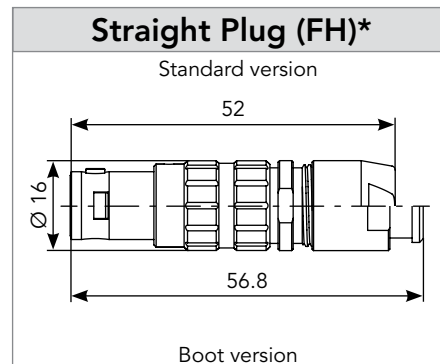
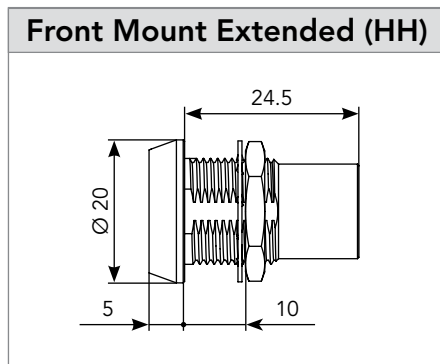
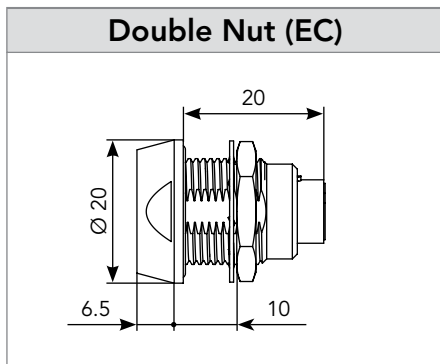
\* In order to get the back nut for protective boot please add «M» after the last «S». Example: JBX Straight Plug, size 2, 4 solder contacts, male insert = JBXFH2G04MSSDSMR.   : First choice  
The protective boot need to be ordered separately, see page accessories.

1: In order to get a black Chrome over Nickel please replace «S» before the «D» by one «N». Example: JBX Straight Plug, size 2, 4 solder contacts, male insert = JBXFH2G04MNSDSR.

☁ : Sealed in Unmated Condition

**JBX2-04 - IP68** (4 x Ø 1.3 mm) - See non sealed IP40 version page 70

**Dimensions** (For mated connector lengths see page 75)



## JBX2-04 - IP40 & IP68 (4 x Ø 1.3 mm)

### Accessories

**Receptacle Dust Cap**




Part number
<b>JBXBR2</b>

**Plug Dust Cap**




Part number
<b>JBXBF2</b>

**Grounding Washer**



Part number
<b>JAXRA2252</b>

**Insulating Washer**



Part number	Color
<b>JBX2RIA</b>	Blue
<b>JBX2RIB</b>	White
<b>JBX2RIG</b>	Grey
<b>JBX2RIJ</b>	Yellow
<b>JBX2RIM</b>	Brown
<b>JBX2RIN</b>	Black
<b>JBX2RIR</b>	Red
<b>JBX2RIV</b>	Green
<b>JBX2RIO</b>	Orange

Note : Insulating washers are not compatible with the IP68 versions

**Protective Boot**

Available only for PC - FC - FD - SA, FH, with back nut protective boot 



Part number	Color
<b>JBX2MPA</b>	Blue
<b>JBX2MPB</b>	White
<b>JBX2MPG</b>	Grey
<b>JBX2MPJ</b>	Yellow
<b>JBX2MPM</b>	Brown
<b>JBX2MPN</b>	Black
<b>JBX2MPR</b>	Red
<b>JBX2MPV</b>	Green
<b>JBX2MPO</b>	Orange

The overall length is 25 mm longer with the protective boot.  
Note: The protective boot is not a sealing element.


### Tooling

**Crimp Tooling**



Part number
<b>MIL-22520/7-01</b>

**Locator**



Part number	
Male	Female
<b>JBX20UTLP13</b>	<b>JBX20UTLS13</b>

**Extraction Tool**



Part number
<b>JBX0UTDC13</b>



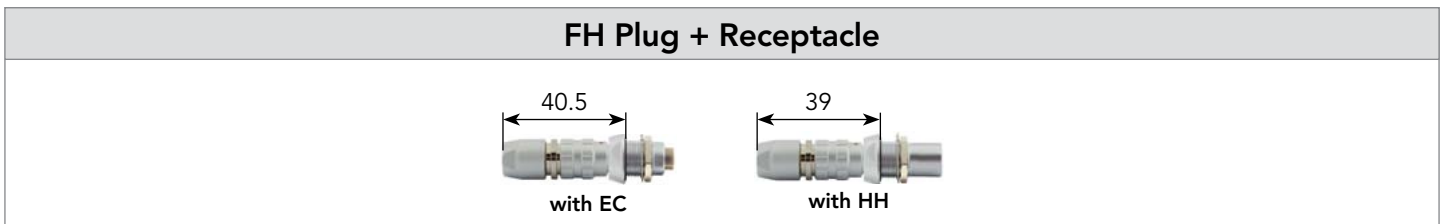
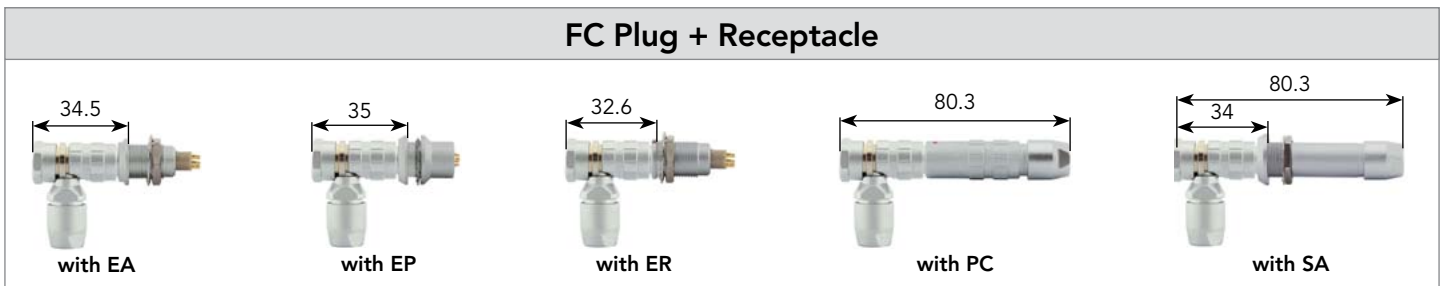
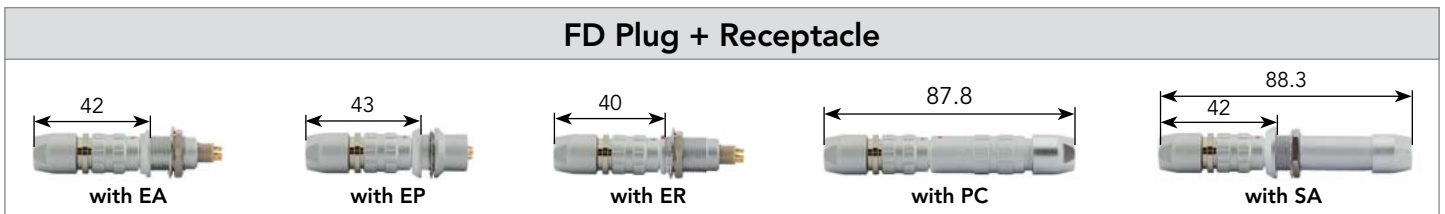
## JBX2-04 - IP40 & IP68 (4 x Ø 1.3 mm)

### Contacts

Ø 1.3 mm	Contact type	Plating	Contact locking type	AWG
Solder	Machined	0.5 µm gold over 3 to 5 µm Ni	Removable	20
Crimp	Machined	0.5 µm gold over 3 to 5 µm Ni	Removable	18 - 20 - 22
Straight PCB	Machined	0.5 µm gold over 3 to 5 µm Ni	Fixed	-

For more information see pages 231 to 233

### Mated Connector Length



Electrical Characteristics
<p><b>UL</b> 15A 1,000V UL94 V-0</p>

Note: all dimensions are in mm

**JBX3-04 - IP40** (3 x Ø 2.0 mm)



**Connector Part Number**

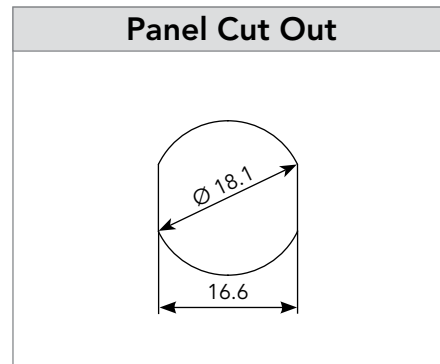
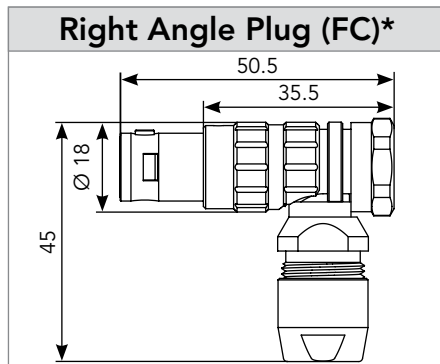
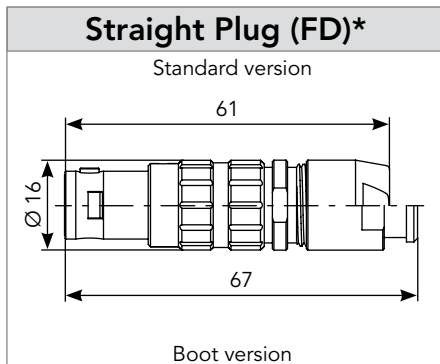
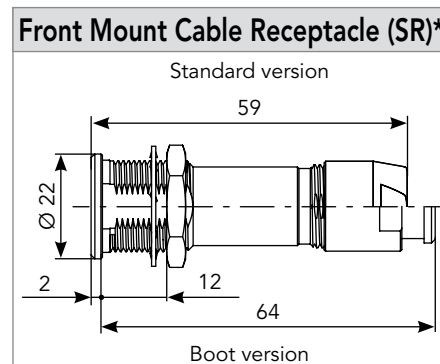
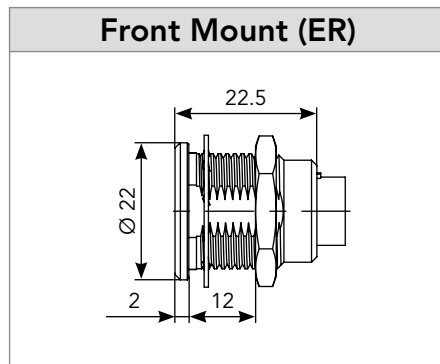
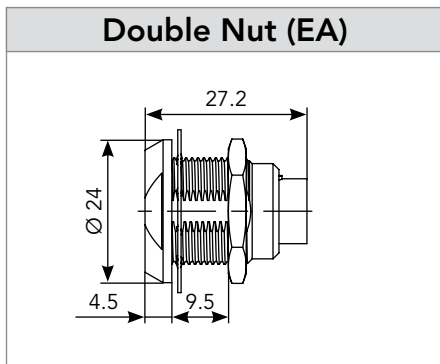
Contact type	Connector type	Description	Part number <sup>(1)</sup>	
			Male insert	Female insert
Solder contacts see page 79	Receptacle	Double nut (EA)	<b>JBXEA3G04MSSDS</b>	<b>JBXEA3G04FSSDS</b>
		Front mount (ER)	<b>JBXER3G04MSSDSR</b>	<b>JBXER3G04FSSDSR</b>
		Front mount cable (SR) *	<b>JBXSR3G04MSSDSR</b>	<b>JBXSR3G04FSSDSR</b>
	Plug	Straight plug (FD) *	<b>JBXFD3G04MSSDSR</b>	<b>JBXFD3G04FSSDSR</b>
Crimp contacts see page 79	Receptacle	Double nut (EA)	<b>JBXEA3G04MCSDS</b>	<b>JBXEA3G04FCSDS</b>
		Front mount (ER)	<b>JBXER3G04MCSDSR</b>	<b>JBXER3G04FCSDSR</b>
	Plug	Right angle plug (FC) *	<b>JBXFC3G04MCSDSR</b>	<b>JBXFC3G04FCSDSR</b>
		Straight plug (FD) *	<b>JBXFD3G04MCSDSR</b>	<b>JBXFD3G04FCSDSR</b>

\* In order to get the back nut for protective boot please add «M» after the last «S». Example: JBX Straight Plug, size 3, 4 solder contacts, male insert = JBXFD3G04MSSDSMR.   : First choice  
The protective boot need to be ordered separately, see page accessories.

1: In order to get a black Chrome over Nickel please replace «S» before the «D» by one «N». Example: JBX Straight Plug, size 3, 4 solder contacts, male insert = JBXFD3G04MSNDSR.

**JBX3-04 - IP40** (3 x Ø 2.0 mm)

**Dimensions** (For mated connector lengths see page 79)



**JBX3-04 - IP40** (3 x Ø 2.0 mm)

**Accessories**

**Receptacle Dust Cap**




Part number
<b>JBXBR3</b>

**Plug Dust Cap**




Part number
<b>JBXBF3</b>

**Grounding Washer**



Part number
<b>JAXRA3252</b>

**Insulating Washer**



Part number	Color
<b>JBX3RIA</b>	Blue
<b>JBX3RIB</b>	White
<b>JBX3RIG</b>	Grey
<b>JBX3RIJ</b>	Yellow
<b>JBX3RIM</b>	Brown
<b>JBX3RIN</b>	Black
<b>JBX3RIR</b>	Red
<b>JBX3RIV</b>	Green
<b>JBX3RIO</b>	Orange

Note : Insulating washers are not compatible with the IP68 versions

**Protective Boot**

Available only for FC - FD - SR, with back nut protective boot 



Part number	Color
<b>JBX3MPA</b>	Blue
<b>JBX3MPB</b>	White
<b>JBX3MPG</b>	Grey
<b>JBX3MPJ</b>	Yellow
<b>JBX3MPM</b>	Brown
<b>JBX3MPN</b>	Black
<b>JBX3MPR</b>	Red
<b>JBX3MPV</b>	Green
<b>JBX3MPO</b>	Orange

The overall length is 28.5 mm longer with the protective boot.  
Note: The protective boot is not a sealing element.

**Tooling**

**Crimp Tooling**



Part number
<b>MIL-22520/1-01</b>

**Locator**



Part number
<b>JBX3OUTLP20</b>

**Extraction Tool**



Part number
<b>JBXOUTDC20</b>

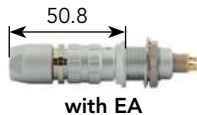
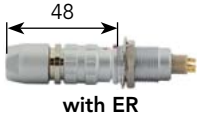
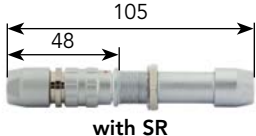


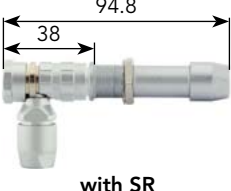
## JBX3-04 - IP40 (3 x Ø 2.0 mm)

### Contacts

Ø 2.0 mm	Contact type	Plating	Contact locking type	AWG
Solder	Machined	0.5 µm gold over 3 to 5 µm Ni	Removable	16
Crimp	Machined	0.5 µm gold over 3 to 5 µm Ni	Removable	12 - 14 - 16

For more information see pages 231 and 232

### Mated Connector Length

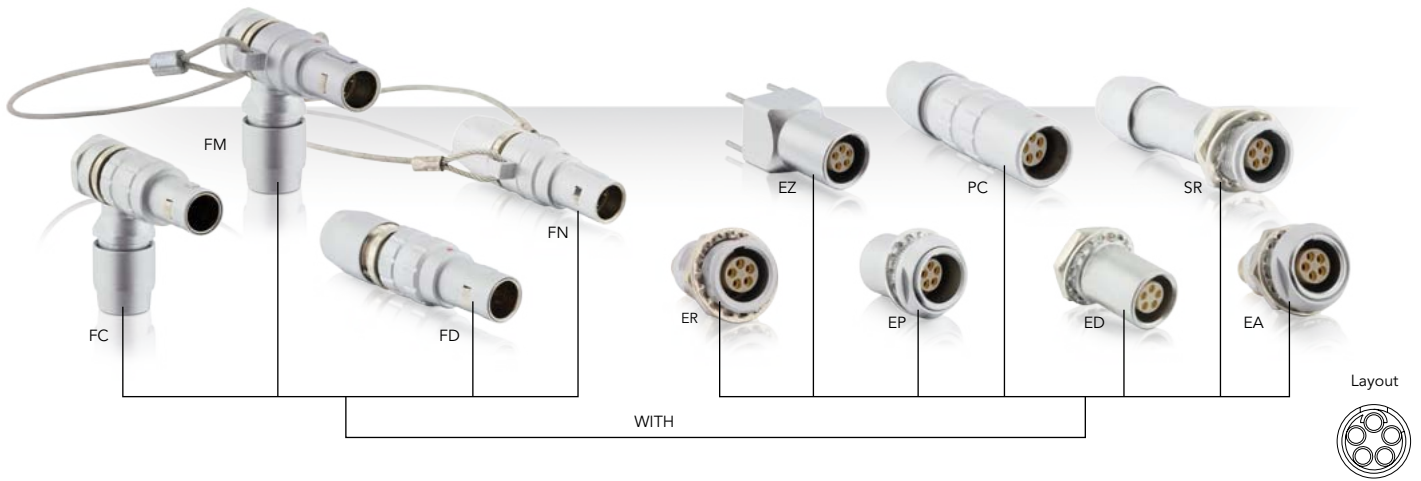
FD Plug + Receptacle		
 <p>50.8 with EA</p>	 <p>48 with ER</p>	 <p>105 48 with SR</p>
FC Plug + Receptacle		
 <p>40.8 with EA</p>	 <p>38 with ER</p>	 <p>94.8 38 with SR</p>

### Electrical Characteristics

UL  
25A 1,100V UL94 V-0

Note: all dimensions are in mm

**JBX0-05 - IP40 (5 x Ø 0.7mm) - See waterproof IP68 version page 82**



**Connector Part Number**

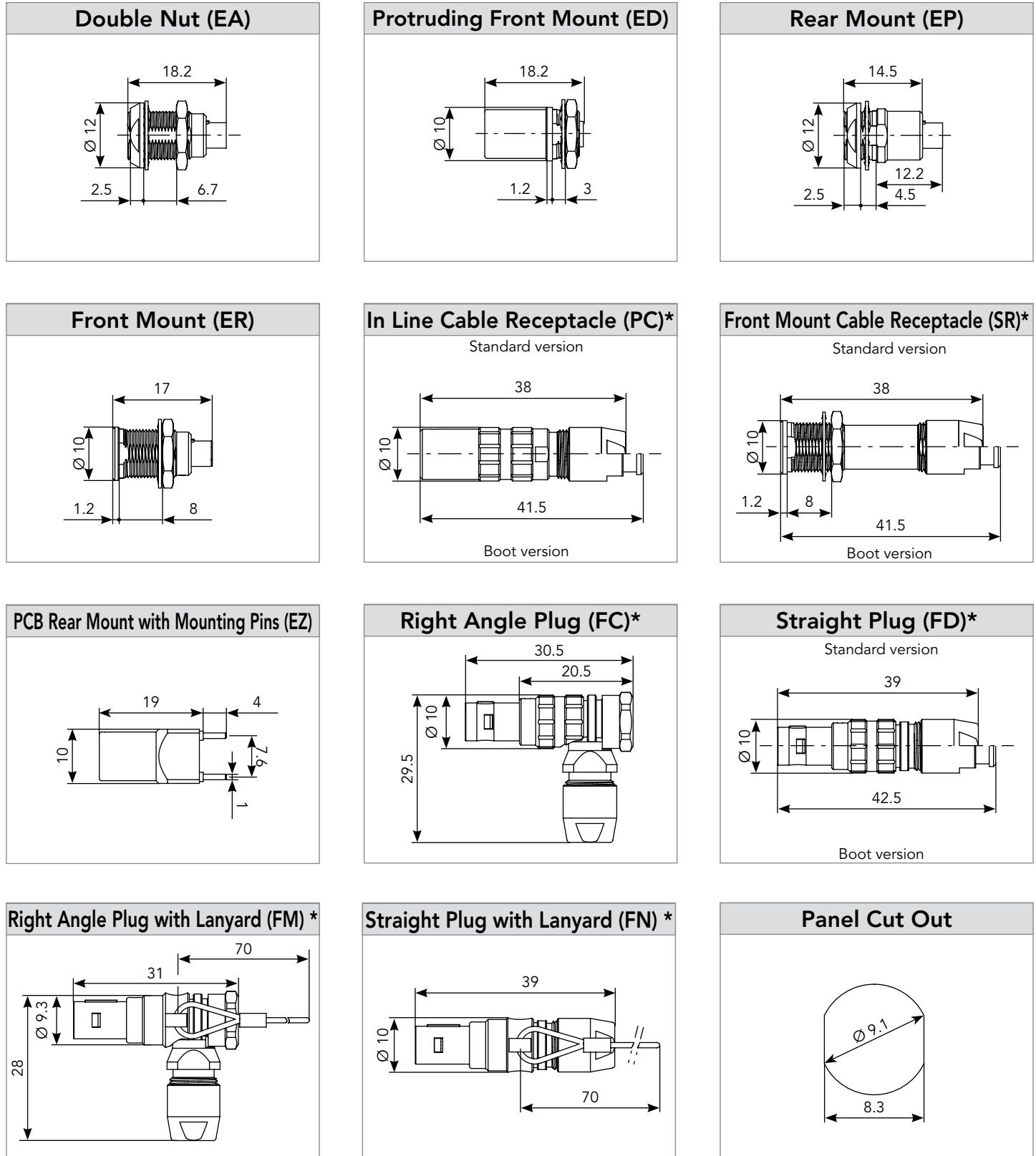
Contact type	Connector type	Description	Part number <sup>(1)</sup>	
			Male insert	Female insert
Solder contacts see page 85	Receptacle	Double nut (EA)	<b>JBXEA0G05MSSDS</b>	<b>JBXEA0G05FSSDS</b>
		Protruding front mount (ED)	<b>JBXED0G05MSSDSR</b>	<b>JBXED0G05FSSDSR</b>
		Rear mount (EP)	<b>JBXEP0G05MSSDS</b>	<b>JBXEP0G05FSSDS</b>
		Front mount (ER)	<b>JBXER0G05MSSDSR</b>	<b>JBXER0G05FSSDSR</b>
		In line cable (PC) *	<b>JBXPC0G05MSSDSR</b>	<b>JBXPC0G05FSSDSR</b>
	Plug	Right angle plug (FC) *	<b>JBXFC0G05MSSDSR</b>	<b>JBXFC0G05FSSDSR</b>
		Straight plug (FD) *	<b>JBXFD0G05MSSDSR</b>	<b>JBXFD0G05FSSDSR</b>
		Right Angle plug with lanyard (FM) *	<b>JBXFM0G05MSSDSR</b>	<b>JBXFM0G05FSSDSR</b>
	Straight plug with lanyard (FN) *	<b>JBXFN0G05MSSDSR</b>	<b>JBXFN0G05FSSDSR</b>	
Crimp contacts see page 85	Receptacle	Double nut (EA)	<b>JBXEA0G05MCSDS</b>	<b>JBXEA0G05FCSDS</b>
		Protruding front mount (ED)	<b>JBXED0G05MCSDSR</b>	<b>JBXED0G05FCSDSR</b>
		Rear mount (EP)	<b>JBXEP0G05MCSDS</b>	<b>JBXEP0G05FCSDS</b>
		Front mount (ER)	<b>JBXER0G05MCSDSR</b>	<b>JBXER0G05FCSDSR</b>
		In line cable (PC) *	<b>JBXPC0G05MCSDSR</b>	<b>JBXPC0G05FCSDSR</b>
	Plug	Front mount cable (SR) *	<b>JBXSR0G05MCSDSR</b>	<b>JBXSR0G05FCSDSR</b>
		Right angle plug (FC) *	<b>JBXFC0G05MCSDSR</b>	<b>JBXFC0G05FCSDSR</b>
		Straight plug (FD) *	<b>JBXFD0G05MCSDSR</b>	<b>JBXFD0G05FCSDSR</b>
Straight PCB contacts see page 85	Receptacle	Double nut (EA)	<b>JBXEA0G05MPSDS</b>	<b>JBXEA0G05FPSDS</b>
		Rear mount (EP)	<b>JBXEP0G05MPSDS</b>	<b>JBXEP0G05FPSDS</b>
		PCB rear mount with mounting pins (EZ)	<b>JBXEZ0G05MPSDSR</b>	<b>JBXEZ0G05FPSDSR</b>
90° PCB contacts see page 85	Receptacle	Double nut (EA)	-	<b>JBXEA0G05FQSDS</b>
		Protruding front mount (ED)	-	<b>JBXED0G05FQSDSR</b>
		Rear mount (EP)	-	<b>JBXEP0G05FQSDS</b>

\* In order to get the back nut for protective boot please add «M» after the last «S». Example: JBX Straight Plug, size 0, 5 solder contacts, male insert = JBXFD0G05MSSDSMR.   : First choice  
The protective boot need to be ordered separately, see page accessories.

(1): In order to get a black Chrome over Nickel please replace «S» before the «D» by one «N». Example: JBX Straight Plug, size 0, 5 solder contacts, male insert = JBXFD0G05MSNDSR.

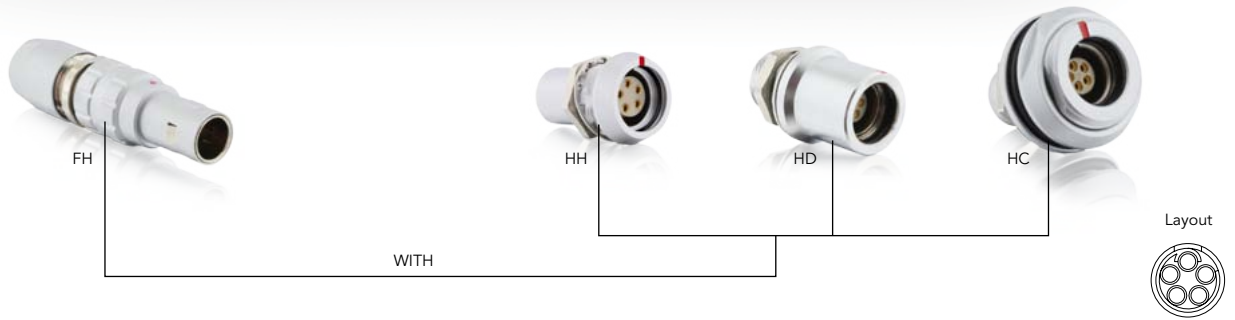
**JBX0-05 - IP40** (5 x Ø 0.7mm) - See waterproof IP68 version page 82

**Dimensions** (For mated connector lengths see page 85)



Note: all dimensions are in mm

**JBX0-05 - IP68** (5 x Ø 0.7mm) - See non sealed IP40 version page 80



**Connector Part Number**

Contact type	Connector type	Description	Part number <sup>(1)</sup>	
			Male insert	Female insert
Solder contacts see page 85	Receptacle	Rear mount (HC) ☁	<b>JBXHC0G05MSSDSR</b>	<b>JBXHC0G05FSSDSR</b>
		Protruding front mount (HD) ☁	<b>JBXHD0G05MSSDSR</b>	<b>JBXHD0G05FSSDSR</b>
		Front mount extended (HH) ☁	<b>JBXHH0G05MSSDSR</b>	<b>JBXHH0G05FSSDSR</b>
	Plug	Straight plug (FH) *	<b>JBXFH0G05MSSDSR</b>	<b>JBXFH0G05FSSDSR</b>
Crimp contacts see page 85	Receptacle	Protruding front mount (HD)	<b>JBXHD0G05MCSDSR</b>	<b>JBXHD0G05FCSDSR</b>
		Front mount extended (HH)	<b>JBXHH0G05MCSDSR</b>	<b>JBXHH0G05FCSDSR</b>
	Plug	Straight plug (FH) * ☁	<b>JBXFH0G05MCSDSR</b>	<b>JBXFH0G05FCSDSR</b>
Straight PCB contacts see page 85	Receptacle	Rear mount (HC) ☁	<b>JBXHC0G05MPSDSR</b>	<b>JBXHC0G05FPSDSR</b>

\* In order to get the back nut for protective boot please add «M» after the last «S». Example: JBX Straight Plug, size 0, 5 solder contacts, male insert = JBXFH0G05MSSDSMR. ☐ : First choice  
 The protective boot need to be ordered separately, see page accessories.

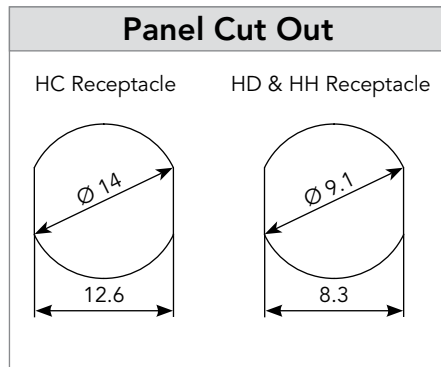
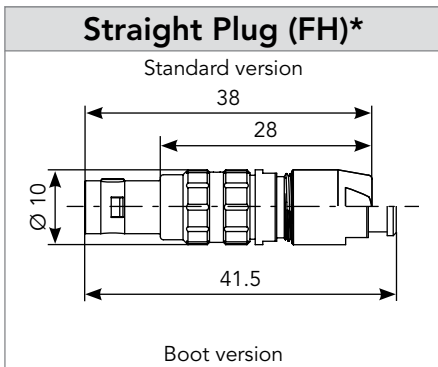
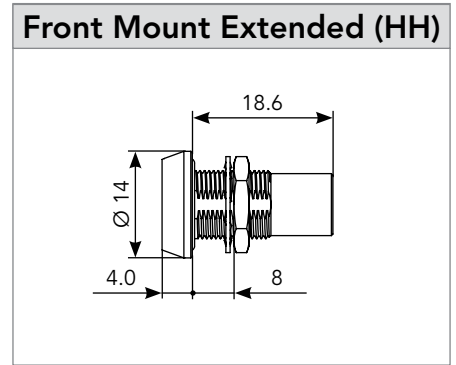
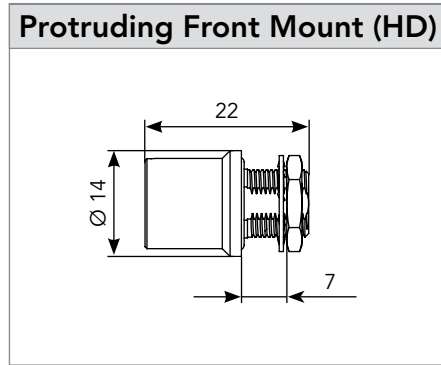
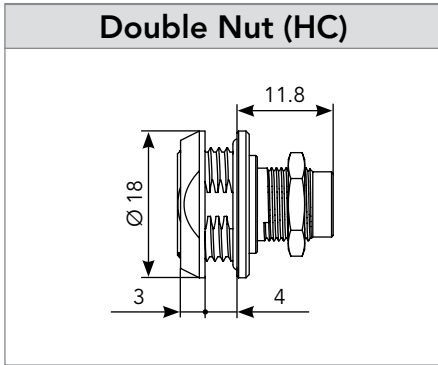
1: In order to get a black Chrome over Nickel please replace «S» before the «D» by one «N». Example: JBX Straight Plug, size 0, 5 solder contacts, male insert = JBXFH0G05MSNDSR.

☁ : Sealed in Unmated Condition



**JBX0-05 - IP68** (5 x Ø 0.7mm) - See non sealed IP40 version page 80

**Dimensions** (For mated connector lengths see page 85)



Note: all dimensions are in mm

## JBX0-05 - IP40 & IP68 (5 x Ø 0.7mm)

### Accessories

**Receptacle Dust Cap**




Part number
<b>JBXBRØ</b>

**Plug Dust Cap**




Part number
<b>JBXBFØ</b>

**Grounding Washer**



Part number
<b>JAXRAØ251</b>

**Insulating Washer**



Part number	Color
<b>JBXØRIA</b>	Blue
<b>JBXØRIB</b>	White
<b>JBXØRIG</b>	Grey
<b>JBXØRIJ</b>	Yellow
<b>JBXØRIM</b>	Brown
<b>JBXØRIN</b>	Black
<b>JBXØRIR</b>	Red
<b>JBXØRIV</b>	Green
<b>JBXØRIO</b>	Orange

Note : Insulating washers are not compatible with the IP68 versions

**Protective Boot**

Available only for PC - FC - FD - FM - FN - SR - FH, with back nut protective boot 



Part number	Color
<b>JBXØMPA</b>	Blue
<b>JBXØMPB</b>	White
<b>JBXØMPG</b>	Grey
<b>JBXØMPJ</b>	Yellow
<b>JBXØMPM</b>	Brown
<b>JBXØMPN</b>	Black
<b>JBXØMPR</b>	Red
<b>JBXØMPV</b>	Green
<b>JBXØMPO</b>	Orange

The overall length is 17 mm longer with the protective boot.  
Note: The protective boot is not a sealing element.


### Tooling

**Crimp Tooling**



Part number
<b>MIL-2252Ø/7-Ø1</b>

**Locator**



Part number	
Male	Female
<b>JBXØOUTLPØ7</b>	<b>JBXØOUTLSØ7</b>

**Extraction Tool**



Part number
<b>JBXØUTDCØ7</b>

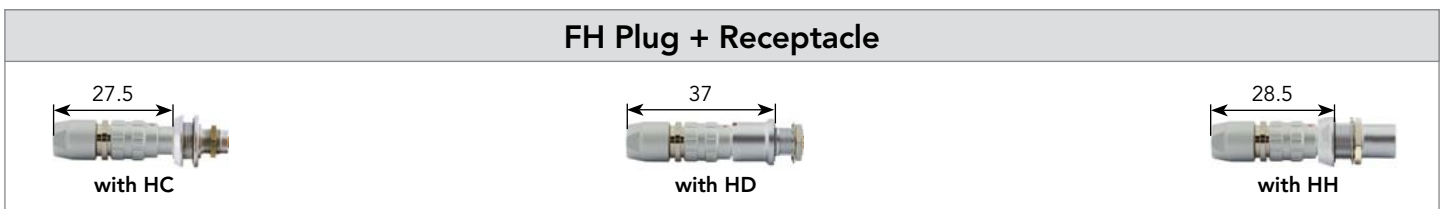
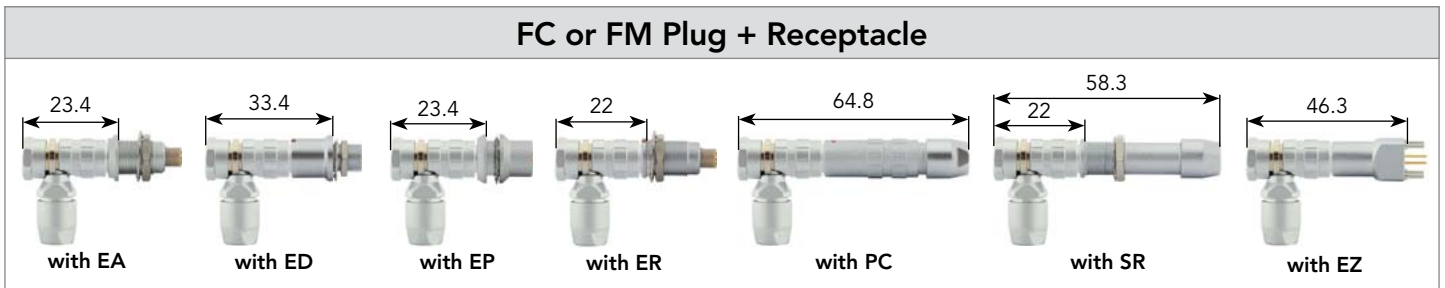
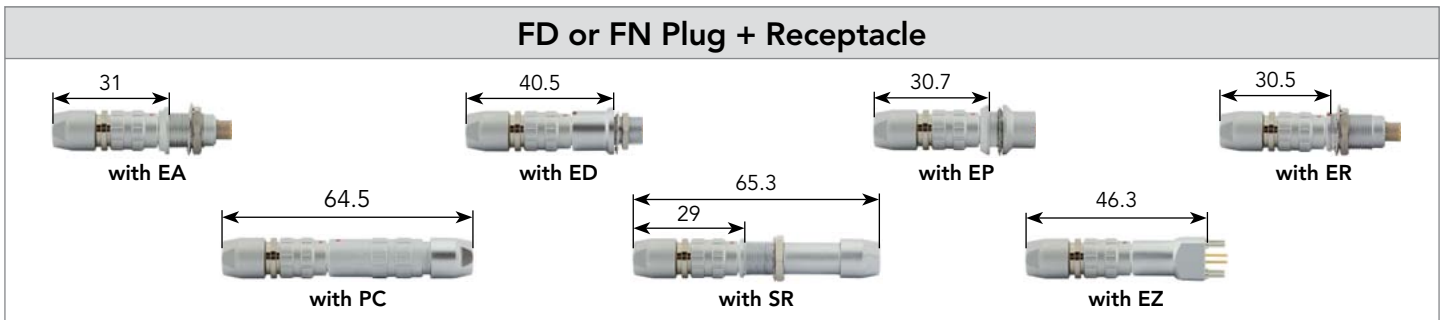
## JBX0-05 - IP40 & IP68 (5 x Ø 0.7mm)

### Contacts

Ø 0.7 mm	Contact type	Plating	Contact locking type	AWG
Solder	Machined	0.5 µm gold over 3 to 5 µm Ni	Fixed	22
Crimp	Machined	0.5 µm gold over 3 to 5 µm Ni	Removable	22 - 24 - 26
Straight PCB	Machined	0.5 µm gold over 3 to 5 µm Ni	Fixed	-
90° PCB	Machined	0.5 µm gold over 3 to 5 µm Ni	Removable	-

For more information see pages 231 to 234

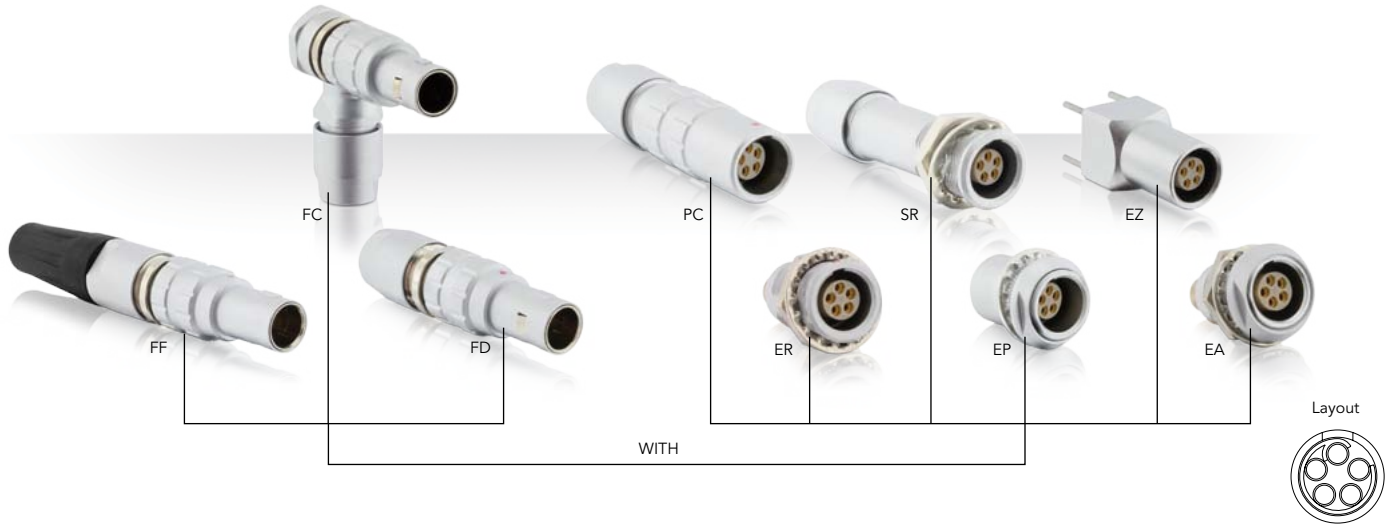
### Mated Connector Length



Electrical Characteristics
<p><b>UL</b> 6.5A 400V UL94 V-0</p>

Note: all dimensions are in mm

**JBX1-05 - IP40 (5 x Ø 0.9 mm)**



**Connector Part Number**

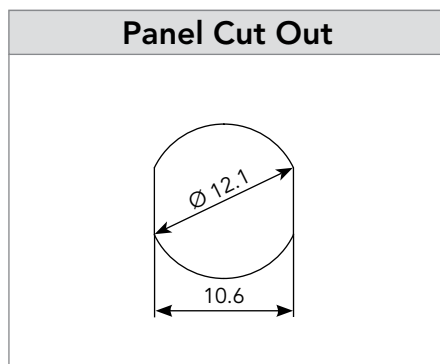
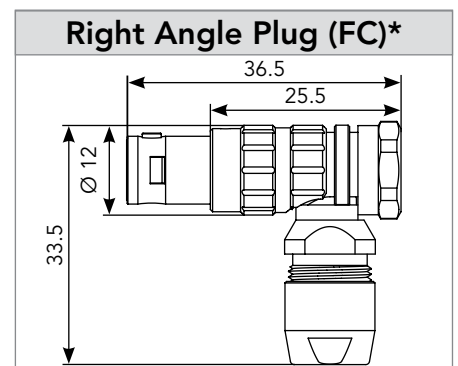
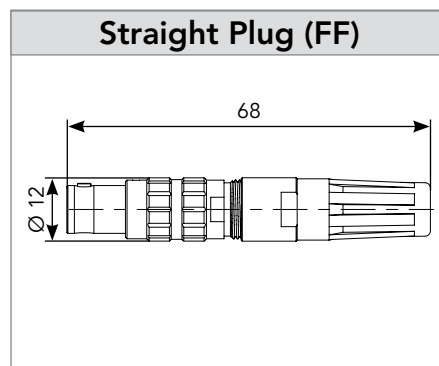
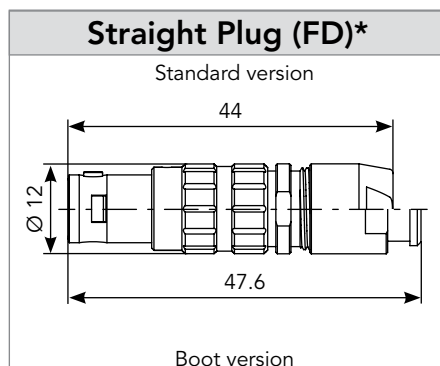
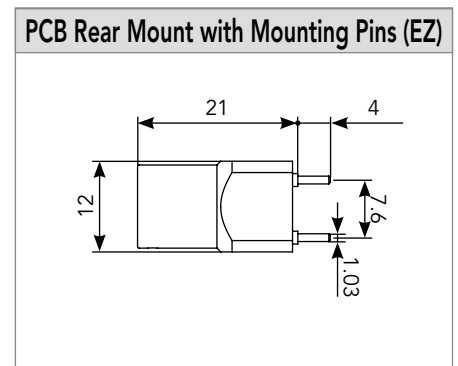
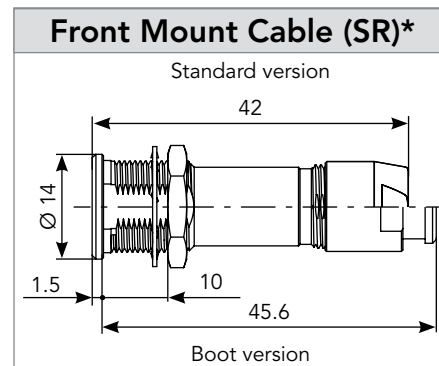
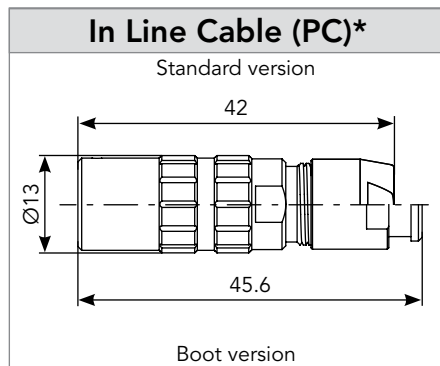
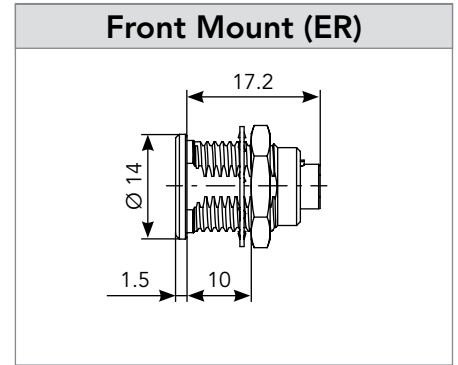
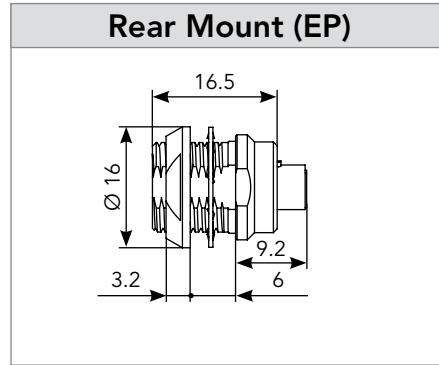
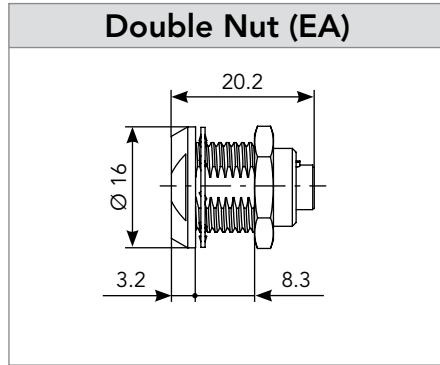
Contact type	Connector type	Description	Part number <sup>(1)</sup>	
			Male insert	Female insert
Solder contacts see page 89	Receptacle	Double nut (EA)	<b>JBXEA1G05MSSDS</b>	<b>JBXEA1G05FSSDS</b>
		Rear mount (EP)	<b>JBXEP1G05MSSDS</b>	<b>JBXEP1G05FSSDS</b>
		Front mount (ER)	<b>JBXER1G05MSSDSR</b>	<b>JBXER1G05FSSDSR</b>
		In line cable (PC) *	<b>JBXPC1G05MSSDSR</b>	<b>JBXPC1G05FSSDSR</b>
		Front mount cable (SR) *	<b>JBXSR1G05MSSDSR</b>	<b>JBXSR1G05FSSDSR</b>
	Plug	Straight plug (FD) *	<b>JBXFD1G05MSSDSR</b>	<b>JBXFD1G05FSSDSR</b>
Straight plug no latch (FF) with black protective boot		<b>JBXFF1G05MSSDSR</b>	<b>JBXFF1G05FSSDSR</b>	
Crimp contacts see page 89	Receptacle	Double nut (EA)	<b>JBXEA1G05MCSDS</b>	<b>JBXEA1G05FCSDS</b>
		Front mount (ER)	<b>JBXER1G05MCSDSR</b>	<b>JBXER1G05FCSDSR</b>
		In line cable (PC) *	<b>JBXPC1G05MCSDSR</b>	<b>JBXPC1G05FCSDSR</b>
	Plug	Right angle plug (FC) *	<b>JBXFC1G05MCSDSR</b>	<b>JBXFC1G05FCSDSR</b>
		Straight plug (FD) *	<b>JBXFD1G05MCSDSR</b>	<b>JBXFD1G05FCSDSR</b>
Straight PCB contacts see page 89	Receptacle	Double nut (EA)	-	<b>JBXEA1G05FPSDS</b>
		Front mount (ER)	-	<b>JBXER1G05FPSDSR</b>
		PCB rear mount with mounting pins (EZ)	-	<b>JBXEZ1G05FPSDSR</b>
90° PCB contacts see page 89	Receptacle	Double nut (EA)	-	<b>JBXEA1G05FQSDS</b>
		Rear mount (EP)	-	<b>JBXEP1G05FQSDS</b>

\* In order to get the back nut for protective boot please add «M» after the last «S». Example: JBX Straight Plug, size 1, 5 solder contacts, male insert = JBXFD1G05MSSDSMR. ■ : First choice  
The protective boot need to be ordered separately, see page accessories.

(1): In order to get a black Chrome over Nickel please replace «S» before the «D» by one «N». Example: JBX Straight Plug, size 1, 5 solder contacts, male insert = JBXFD1G05MSNDSR.

**JBX1-05 - IP40** (5 x Ø 0.9 mm)

**Dimensions** (For mated connector lengths see page 89)



Note: all dimensions are in mm

**JBX1-05 - IP40** (5 x Ø 0.9 mm)

**Receptacle Dust Cap**




Part number
JBXBR1

**Plug Dust Cap**




Part number
JBXBF1

**Grounding Washer**



Part number
JAXRA1251


**Insulating Washer**




Part number	Color
JBX1RIA	Blue
JBX1RIB	White
JBX1RIG	Grey
JBX1RIJ	Yellow
JBX1RIM	Brown
JBX1RIN	Black
JBX1RIR	Red
JBX1RIV	Green
JBX1RIO	Orange

Note : Insulating washers are not compatible with the IP68 versions

**Protective Boot**

Available only for PC - FC - FD - SR, with back nut protective boot 



Part number	Color
JBX1MPA	Blue
JBX1MPB	White
JBX1MPG	Grey
JBX1MPJ	Yellow
JBX1MPM	Brown
JBX1MPN	Black
JBX1MPR	Red
JBX1MPV	Green
JBX1MPO	Orange

The overall length is 21 mm longer with the protective boot.  
Note: The protective boot is not a sealing element.


**Tooling**

**Crimp Tooling**



Part number
MIL-22520/7-01

**Locator**



Part number	
Male	Female
JBX10UTLP09	JBX10UTLS09

**Extraction Tool**



Part number
JBX0UTDC09

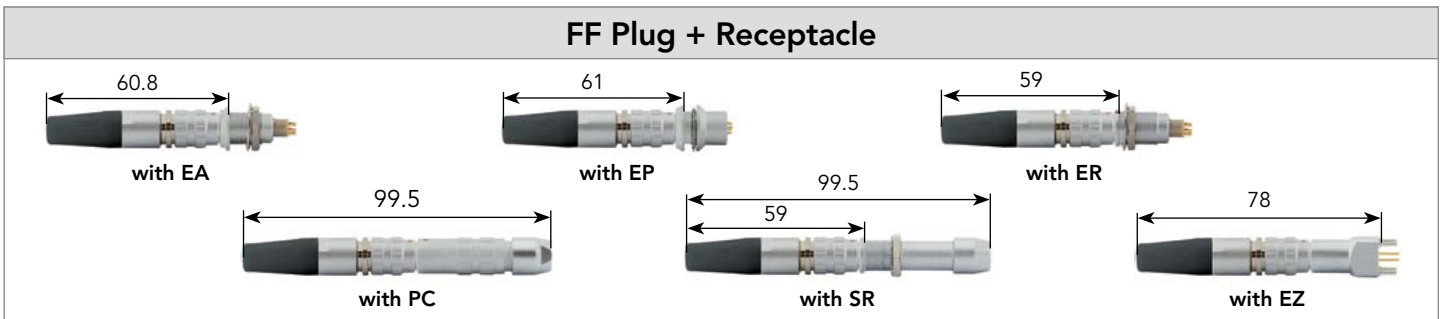
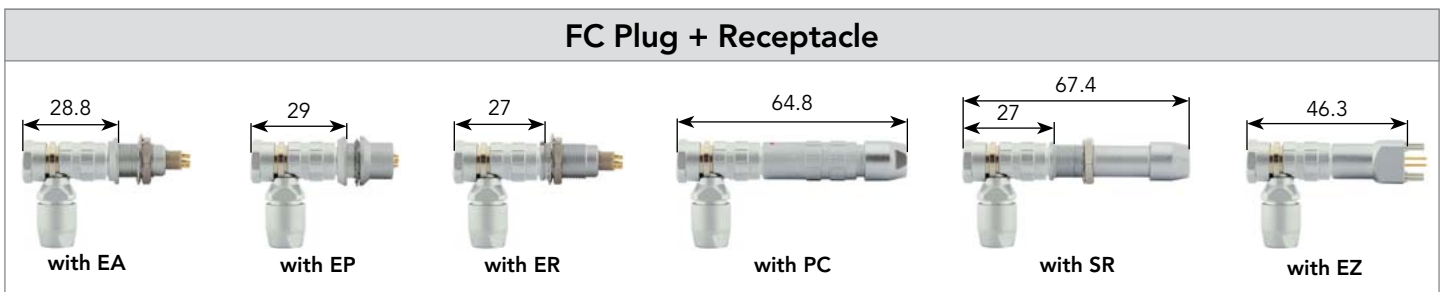
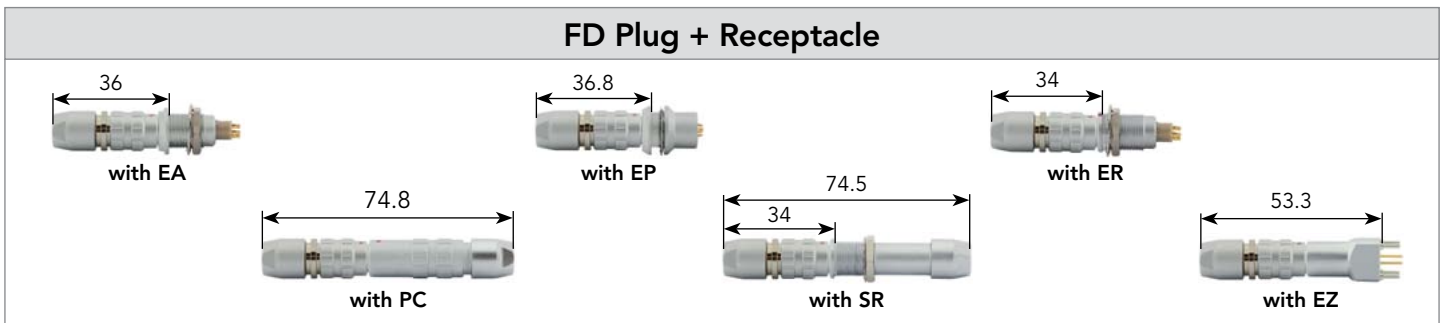
**JBX1-05 - IP40** (5 x Ø 0.9 mm)

**Contacts**

Ø 0.9 mm	Contact type	Plating	Contact locking type	AWG
Solder	Machined	0.5 µm gold over 3 to 5 µm Ni	Removable	24
Crimp	Machined	0.5 µm gold over 3 to 5 µm Ni	Removable	20 - 22 - 24
Straight PCB	Machined	0.5 µm gold over 3 to 5 µm Ni	Fixed	-
90° PCB	Machined	0.5 µm gold over 3 to 5 µm Ni	Removable	-

For more information see pages 231 to 234

**Mated Connector Length**

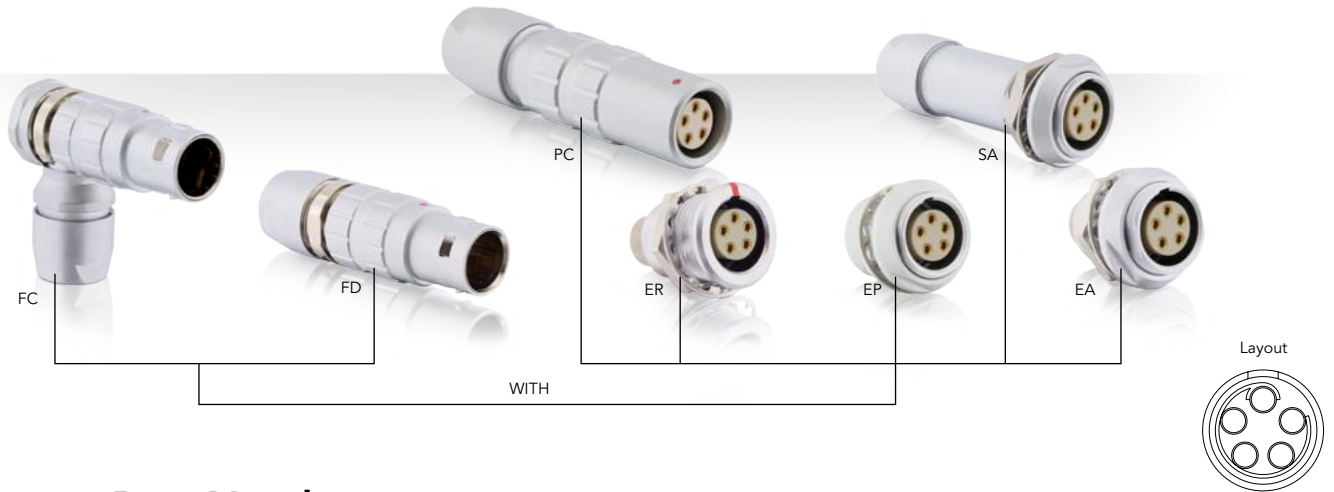


**Electrical Characteristics**

**UL**  
9A 660V UL94 V-0

Note: all dimensions are in mm

**JBX2-05 - IP40 (5 x Ø 1.3 mm) - See waterproof IP68 version page 92**



**Connector Part Number**

Contact type	Connector type	Description	Part number <sup>(1)</sup>	
			Male insert	Female insert
Solder contacts see page 95	Receptacle	Double nut (EA)	<b>JBXEA2G05MSSDS</b>	<b>JBXEA2G05FSSDS</b>
		Rear mount (EP)	<b>JBXEP2G05MSSDS</b>	<b>JBXEP2G05FSSDS</b>
		Front mount (ER)	<b>JBXER2G05MSSDSR</b>	<b>JBXER2G05FSSDSR</b>
		In line cable (PC) *	<b>JBXPC2G05MSSDSR</b>	<b>JBXPC2G05FSSDSR</b>
	Plug	Straight plug (FD) *	<b>JBXFD2G05MSSDSR</b>	<b>JBXFD2G05FSSDSR</b>
Crimp contacts see page 95	Receptacle	Double nut (EA)	<b>JBXEA2G05MCSDS</b>	<b>JBXEA2G05FCSDS</b>
		Rear mount (EP)	<b>JBXEP2G05MCSDS</b>	<b>JBXEP2G05FCSDS</b>
		Front mount (ER)	<b>JBXER2G05MCSDSR</b>	<b>JBXER2G05FCSDSR</b>
		In line cable (PC) *	<b>JBXPC2G05MCSDSR</b>	<b>JBXPC2G05FCSDSR</b>
		Rear mount cable (SA) *	<b>JBXSA2G05MCSDS</b>	<b>JBXSA2G05FCSDS</b>
	Plug	Right angle plug (FC) *	<b>JBXFC2G05MCSDSR</b>	<b>JBXFC2G05FCSDSR</b>
		Straight plug (FD) *	<b>JBXFD2G05MCSDSR</b>	<b>JBXFD2G05FCSDSR</b>
Straight PCB contacts see page 95	Receptacle	Double nut (EA)	<b>JBXEA2G05MPSDS</b>	<b>JBXEA2G05FPSDS</b>
		Rear mount (EP)	<b>JBXEP2G05MPSDS</b>	<b>JBXEP2G05FPSDS</b>
		Front mount (ER)	<b>JBXER2G05MPSDSR</b>	<b>JBXER2G05FPSDSR</b>

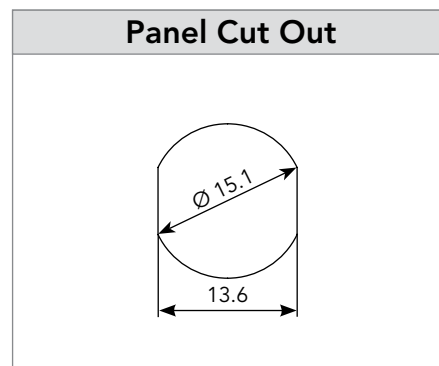
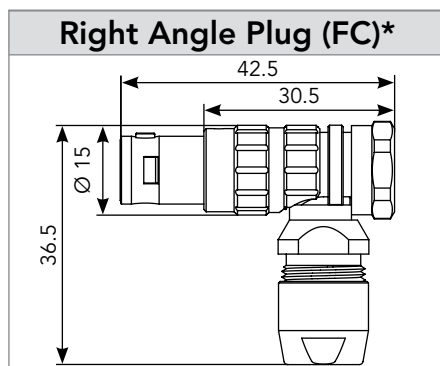
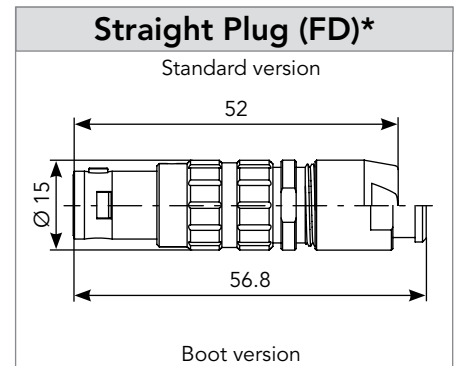
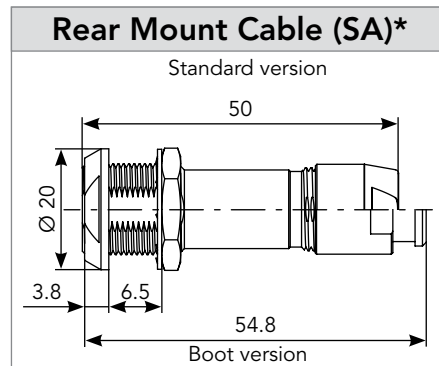
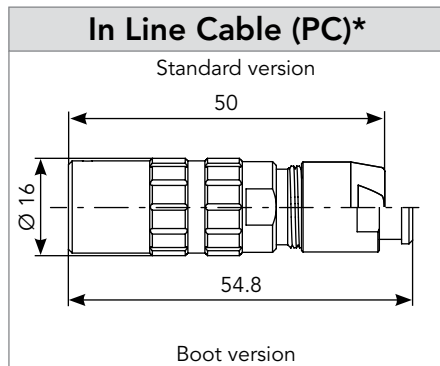
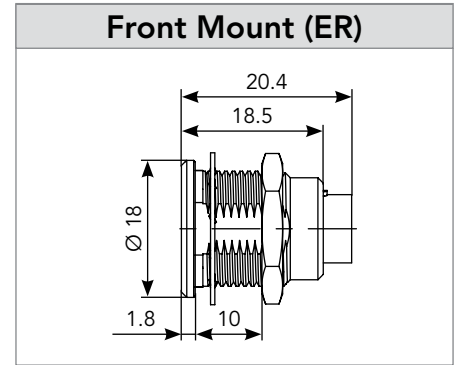
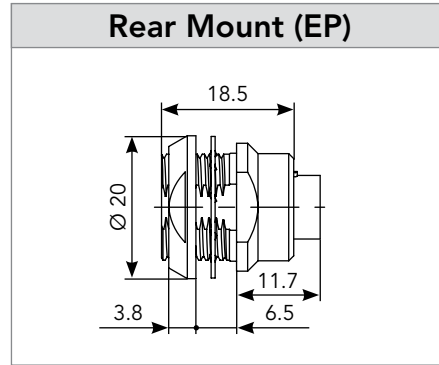
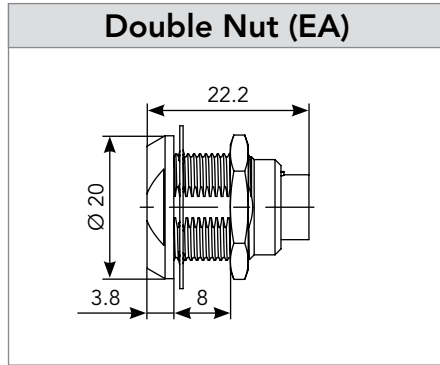
\* In order to get the back nut for protective boot please add «M» after the last «S». Example: JBX Straight Plug, size 2, 5 solder contacts, male insert = JBXFD2G05MSSDSMR.   : First choice  
The protective boot need to be ordered separately, see page accessories.

(1): In order to get a black Chrome over Nickel please replace «S» before the «D» by one «N». Example: JBX Straight Plug, size 2, 5 solder contacts, male insert = JBXFD2G05MSNDSR.



**JBX2-05 - IP40** (5 x Ø 1.3 mm) - See waterproof IP68 version page 92

**Dimensions** (For mated connector lengths see page 95)



Note: all dimensions are in mm

**JBX2-05 - IP68** (5 x Ø 1.3 mm) - See non sealed IP40 version page 90



**Connector Part Number**

Contact type	Connector type	Description	Part number <sup>(1)</sup>	
			Male insert	Female insert
Solder contacts see page 95	Receptacle	Double nut, front or rear mount (EC)	<b>JBXEC2G05MSSDS</b>	<b>JBXEC2G05FSSDS</b>
		Front mount extended (HH) ☁	<b>JBXHH2G05MSSDSR</b>	<b>JBXHH2G05FSSDSR</b>
	Plug	Straight plug (FH) *	<b>JBXFH2G05MSSDSR</b>	<b>JBXFH2G05FSSDSR</b>
Crimp contacts see page 95	Receptacle	Double nut, front or rear mount (EC)	<b>JBXEC2G05MCSDS</b>	<b>JBXEC2G05FCSDS</b>
		Front mount extended (HH)	<b>JBXHH2G05MCSDSR</b>	<b>JBXHH2G05FCSDSR</b>
	Plug	Straight plug (FH) *	<b>JBXFH2G05MCSDSR</b>	<b>JBXFH2G05FCSDSR</b>
Straight PCB contacts see page 95	Receptacle	Double nut, front or rear mount (EC)	<b>JBXEC2G05MPSDS</b>	<b>JBXEC2G05FPSDS</b>

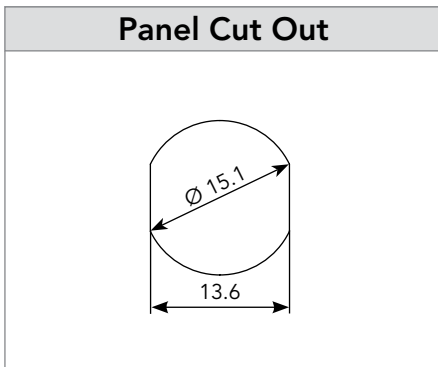
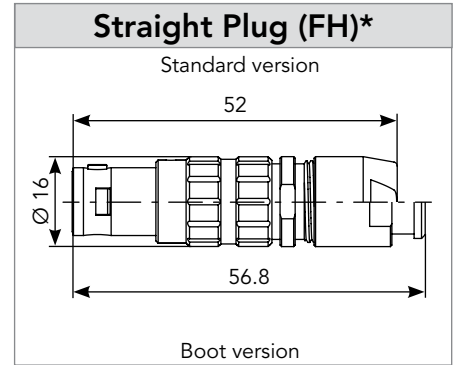
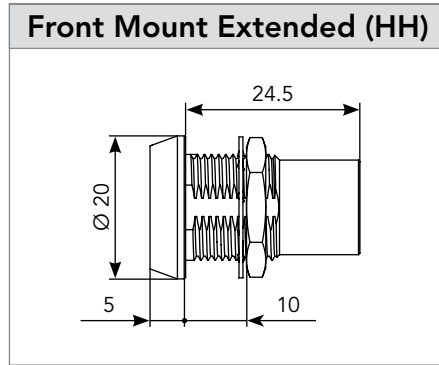
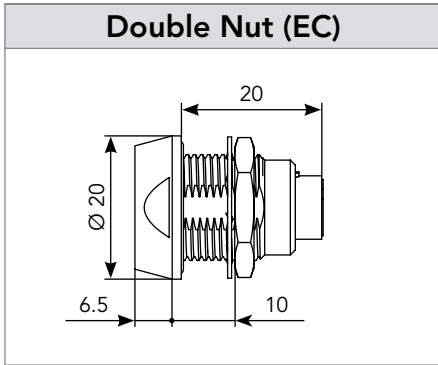
\* In order to get the back nut for protective boot please add «M» after the last «S». Example: JBX Straight Plug, size 2, 5 solder contacts, male insert = JBXFH2G05MSSDSMR. The protective boot need to be ordered separately, see page accessories.

1: In order to get a black Chrome over Nickel please replace «S» before the «D» by one «N». Example: JBX Straight Plug, size 2, 5 solder contacts, male insert = JBXFH2G05MNSDSR.

☁ : Sealed in Unmated Condition

**JBX2-05 - IP68** (5 x Ø 1.3 mm) - See non sealed IP40 version page 90

**Dimensions** (For mated connector lengths see page 95)



## JBX2-05 - IP40 & IP68 (4 x Ø 1.3 mm)

### Accessories

**Receptacle Dust Cap**




Part number
<b>JBXBR2</b>

**Plug Dust Cap**




Part number
<b>JBXBF2</b>

**Grounding Washer**



Part number
<b>JAXRA2252</b>

**Insulating Washer**



Part number	Color
<b>JBX2RIA</b>	Blue
<b>JBX2RIB</b>	White
<b>JBX2RIG</b>	Grey
<b>JBX2RIJ</b>	Yellow
<b>JBX2RIM</b>	Brown
<b>JBX2RIN</b>	Black
<b>JBX2RIR</b>	Red
<b>JBX2RIV</b>	Green
<b>JBX2RIO</b>	Orange

Note : Insulating washers are not compatible with the IP68 versions

**Protective Boot**

Available only for PC - FC - FD - SA, FH, with back nut protective boot 



Part number	Color
<b>JBX2MPA</b>	Blue
<b>JBX2MPB</b>	White
<b>JBX2MPG</b>	Grey
<b>JBX2MPJ</b>	Yellow
<b>JBX2MPM</b>	Brown
<b>JBX2MPN</b>	Black
<b>JBX2MPR</b>	Red
<b>JBX2MPV</b>	Green
<b>JBX2MPO</b>	Orange

The overall length is 25 mm longer with the protective boot.  
Note: The protective boot is not a sealing element.


### Tooling

**Crimp Tooling**



Part number
<b>MIL-22520/7-01</b>

**Locator**



Part number	
Male	Female
<b>JBX20UTLP13</b>	<b>JBX20UTLS13</b>

**Extraction Tool**



Part number
<b>JBXOUTDC13</b>

**JBX2-05 - IP40 & IP68 (4 x Ø 1.3 mm)**

**Contacts**

Ø 1.3 mm	Contact type	Plating	Contact locking type	AWG
Solder	Machined	0.5 µm gold over 3 to 5 µm Ni	Removable	20
Crimp	Machined	0.5 µm gold over 3 to 5 µm Ni	Removable	18 - 20 - 22
Straight PCB	Machined	0.5 µm gold over 3 to 5 µm Ni	Fixed	-

For more information see pages 231 to 233

**Mated Connector Length**

**FD Plug + Receptacle**

with EA      with EP      with ER      with PC      with SA

**FC Plug + Receptacle**

with EA      with EP      with ER      with PC      with SA

**FH Plug + Receptacle**

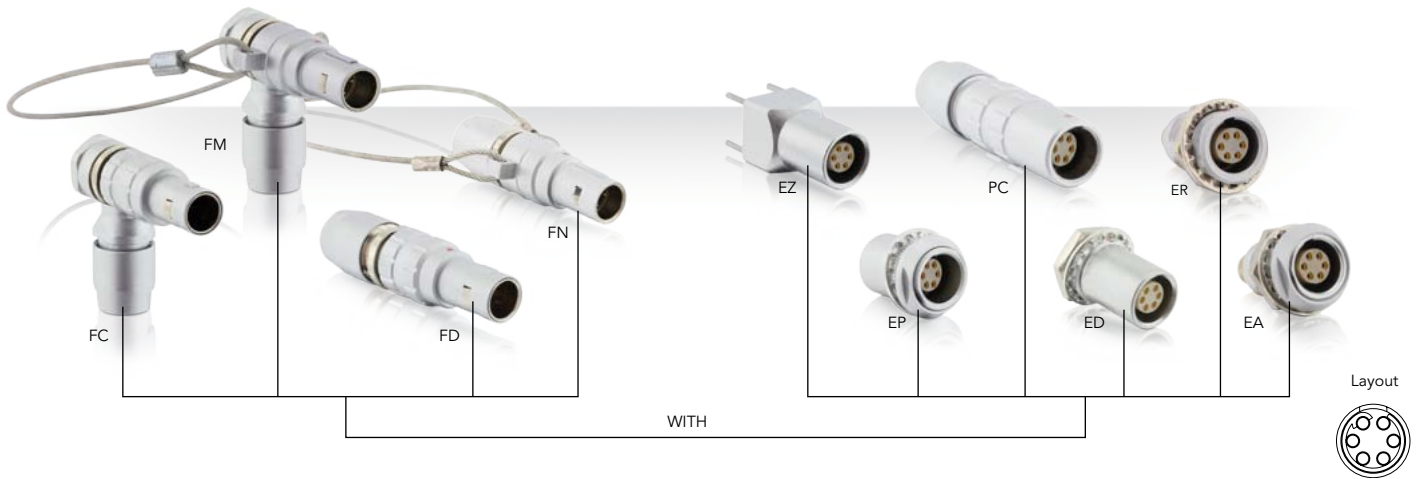
with EC      with HH

**Electrical Characteristics**

**UL**  
14A 900V UL94 V-0

Note: all dimensions are in mm

**JBX0-06 - IP40 (6 x Ø 0.5mm) - See waterproof IP68 version page 98**



**Connector Part Number**

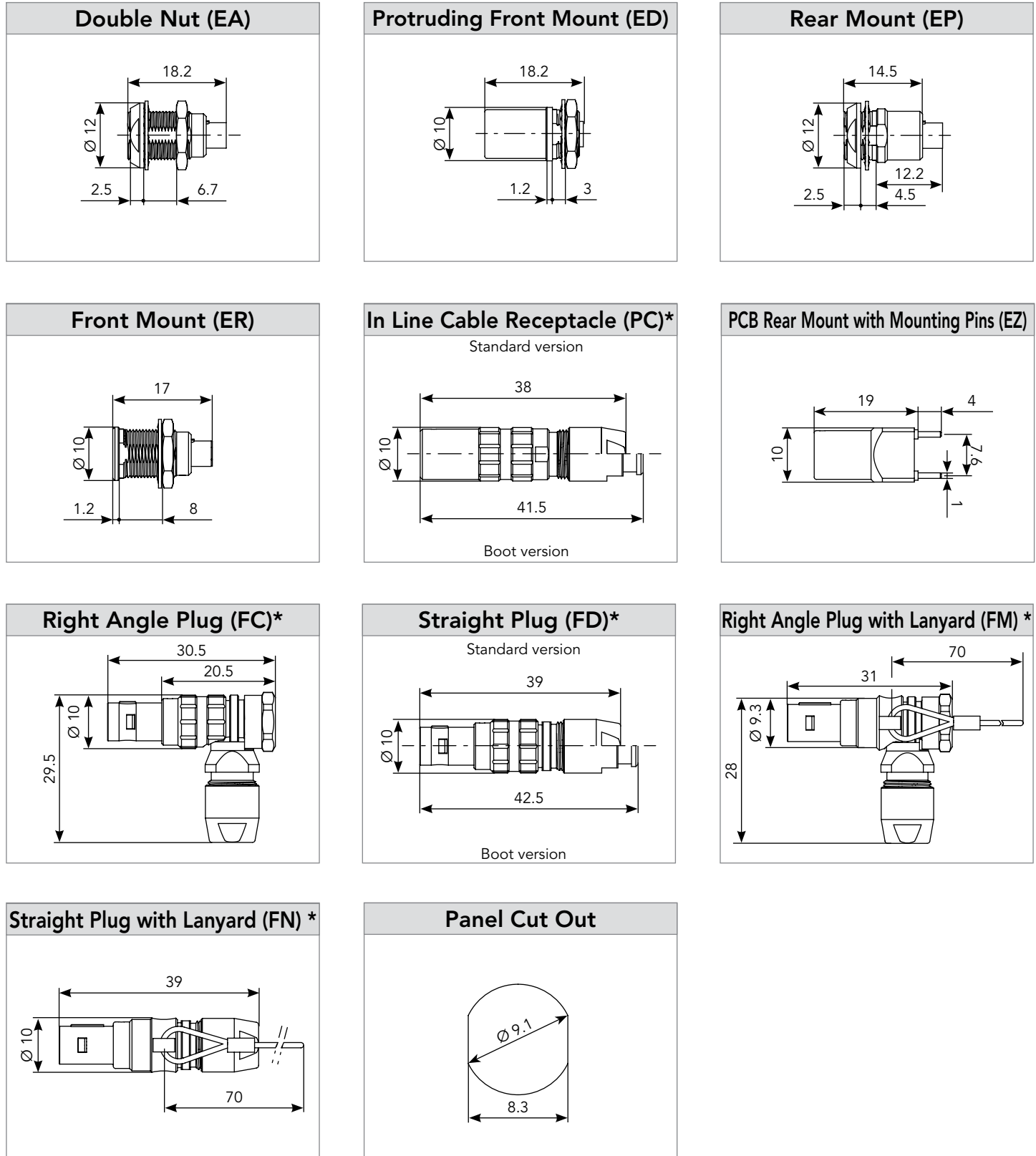
Contact type	Connector type	Description	Part number <sup>(1)</sup>	
			Male insert	Female insert
Solder contacts see page 101	Receptacle	Double nut (EA)	<b>JBXEA0G06MSSDS</b>	<b>JBXEA0G06FSSDS</b>
		Protruding front mount (ED)	<b>JBXED0G06MSSDSR</b>	<b>JBXED0G06FSSDSR</b>
		Rear mount (EP)	<b>JBXEP0G06MSSDS</b>	<b>JBXEP0G06FSSDS</b>
		Front mount (ER)	<b>JBXER0G06MSSDSR</b>	<b>JBXER0G06FSSDSR</b>
		In line cable (PC) *	<b>JBXPC0G06MSSDSR</b>	<b>JBXPC0G06FSSDSR</b>
	Plug	Right angle plug (FC) *	<b>JBXFC0G06MSSDSR</b>	<b>JBXFC0G06FSSDSR</b>
		Straight plug (FD) *	<b>JBXFD0G06MSSDSR</b>	<b>JBXFD0G06FSSDSR</b>
		Right Angle plug with lanyard (FM) *	<b>JBXFM0G06MSSDSR</b>	<b>JBXFM0G06FSSDSR</b>
Straight PCB contacts see page 101	Receptacle	Straight plug with lanyard (FN) *	<b>JBXFN0G06MSSDSR</b>	<b>JBXFN0G06FSSDSR</b>
		Double nut (EA)	<b>JBXEA0G06MPSDS</b>	<b>JBXEA0G06FPSDS</b>
		Rear mount (EP)	<b>JBXEP0G06MPSDS</b>	<b>JBXEP0G06FPSDS</b>
		PCB rear mount with mounting pins (EZ)	<b>JBXEZ0G06MPSDSR</b>	<b>JBXEZ0G06FPSDSR</b>

\* In order to get the back nut for protective boot please add «M» after the last «S». Example: JBX Straight Plug, size 0, 6 solder contacts, male insert = JBXFD0G06MSSDSMR. ■ : First choice  
The protective boot need to be ordered separately, see page accessories.

(1): In order to get a black Chrome over Nickel please replace «S» before the «D» by one «N». Example: JBX Straight Plug, size 0, 6 solder contacts, male insert = JBXFD0G06MSNDSR.

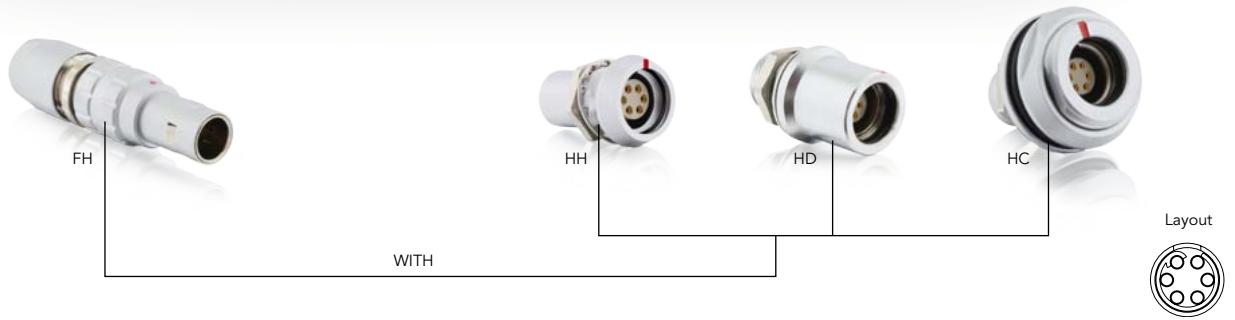
**JBX0-06 - IP40** (6 x Ø 0.5mm) - See waterproof IP68 version page 98

**Dimensions** (For mated connector lengths see page 101)



Note: all dimensions are in mm

**JBX0-06 - IP68** (6 x Ø 0.5mm) - See non sealed IP40 version page 96



**Connector Part Number**

Contact type	Connector type	Description	Part number <sup>(1)</sup>	
			Male insert	Female insert
Solder contacts see page 101	Receptacle	Rear mount (HC) ☁	<b>JBXHC0G06MSSDSR</b>	<b>JBXHC0G06FSSDSR</b>
		Protruding front mount (HD) ☁	<b>JBXHD0G06MSSDSR</b>	<b>JBXHD0G06FSSDSR</b>
		Front mount extended (HH) ☁	<b>JBXHH0G06MSSDSR</b>	<b>JBXHH0G06FSSDSR</b>
	Plug	Straight plug (FH) *	<b>JBXFH0G06MSSDSR</b>	<b>JBXFH0G06FSSDSR</b>
Straight PCB contacts see page 101	Receptacle	Rear mount (HC) ☁	<b>JBXHC0G06MPSDSR</b>	<b>JBXHC0G06FPSDSR</b>

\* In order to get the back nut for protective boot please add «M» after the last «S». Example: JBX Straight Plug, size 0, 6 solder contacts, male insert = JBXFH0G06MSSDSMR. ☐ : First choice  
 The protective boot need to be ordered separately, see page accessories.

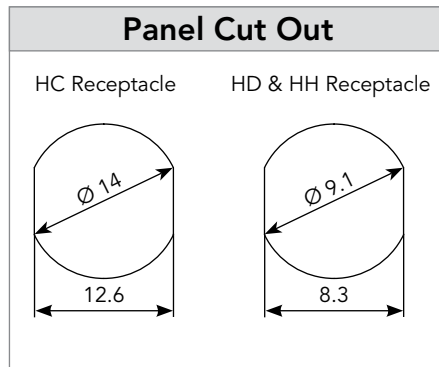
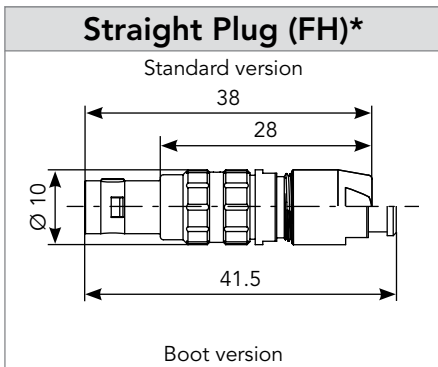
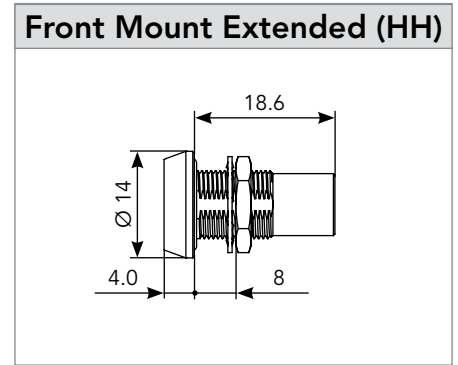
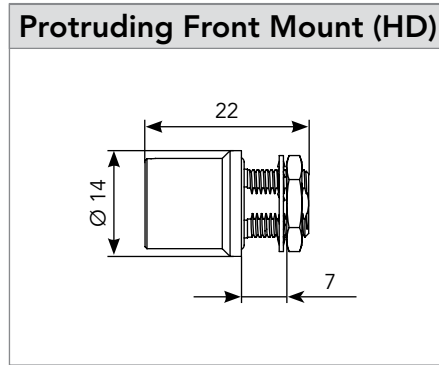
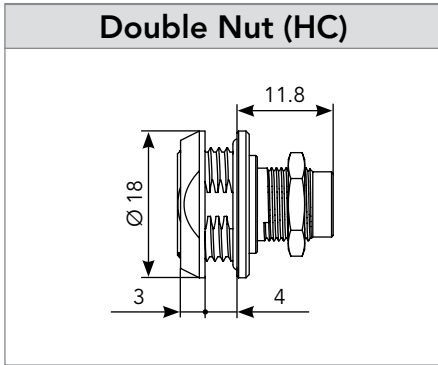
1: In order to get a black Chrome over Nickel please replace «S» before the «D» by one «N». Example: JBX Straight Plug, size 0, 6 solder contacts, male insert = JBXFH0G06MSNDSR.

☁ : Sealed in Unmated Condition



**JBX0-06 - IP68** (6 x Ø 0.5mm) - See non sealed IP40 version page 96

**Dimensions** (For mated connector lengths see page 101)



Note: all dimensions are in mm

**JBX0-06 - IP40 & IP68 (6 x Ø 0.5mm)**

**Accessories**

**Receptacle Dust Cap**




Part number
<b>JBXBRØ</b>

**Plug Dust Cap**




Part number
<b>JBXBFØ</b>

**Grounding Washer**



Part number
<b>JAXRAØ251</b>

**Insulating Washer**



Part number	Color
<b>JBXØRIA</b>	Blue
<b>JBXØRIB</b>	White
<b>JBXØRIG</b>	Grey
<b>JBXØRIJ</b>	Yellow
<b>JBXØRIM</b>	Brown
<b>JBXØRIN</b>	Black
<b>JBXØRIR</b>	Red
<b>JBXØRIV</b>	Green
<b>JBXØRIO</b>	Orange

Note : Insulating washers are not compatible with the IP68 versions

**Protective Boot**

Available only for PC - FC - FD - FM - FN - FH, with back nut protective boot 



Part number	Color
<b>JBXØMPA</b>	Blue
<b>JBXØMPB</b>	White
<b>JBXØMPG</b>	Grey
<b>JBXØMPJ</b>	Yellow
<b>JBXØMPM</b>	Brown
<b>JBXØMPN</b>	Black
<b>JBXØMPR</b>	Red
<b>JBXØMPV</b>	Green
<b>JBXØMPO</b>	Orange

The overall length is 17 mm longer with the protective boot.  
Note: The protective boot is not a sealing element.

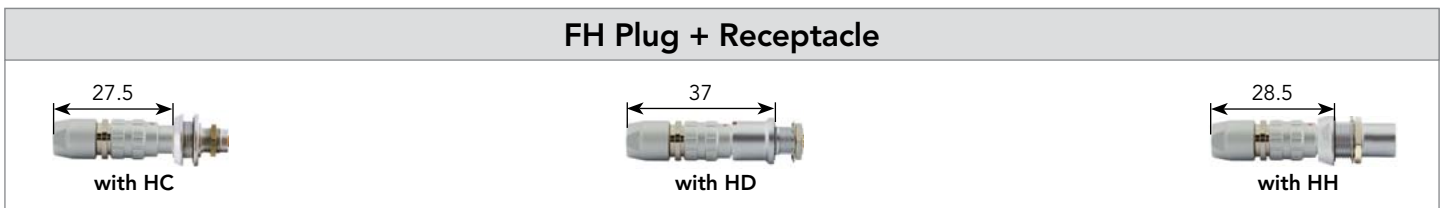
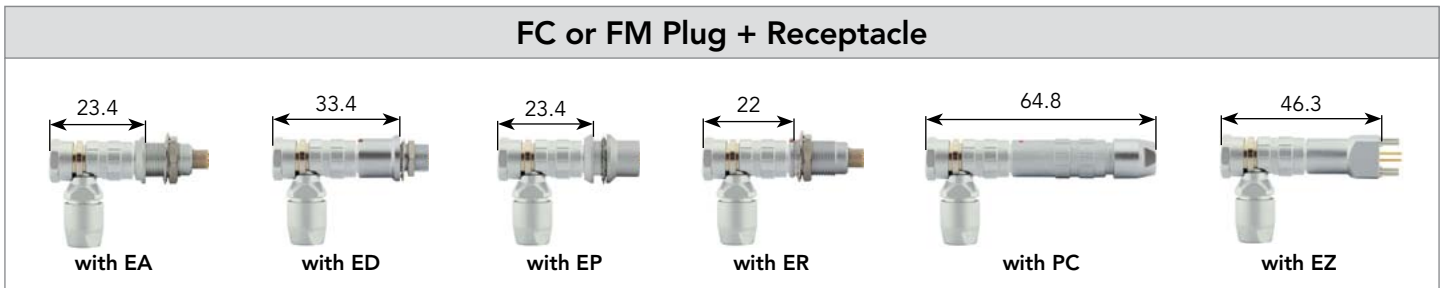
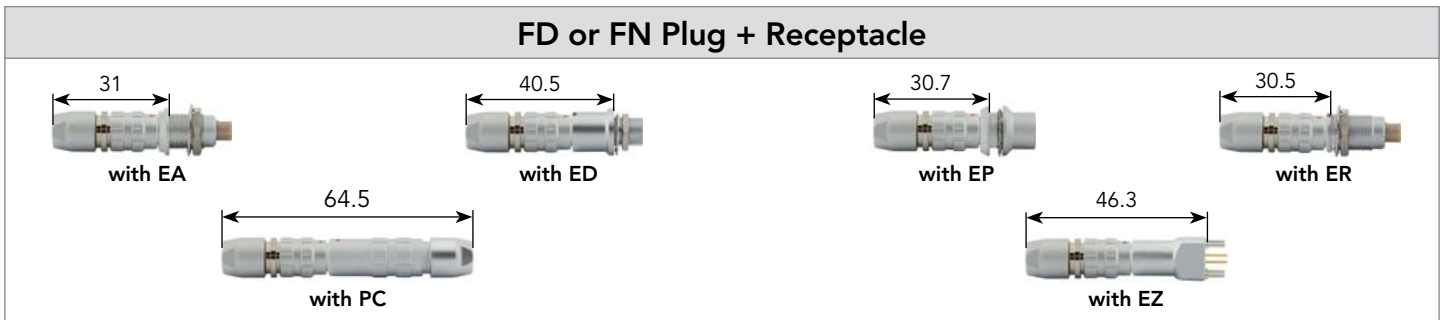
## JBX0-06 - IP40 & IP68 (6 x Ø 0.5mm)

### Contacts

Ø 0.5 mm	Contact type	Plating	Contact locking type	AWG - Wire max.
Solder	Machined	0.5 µm gold over 3 to 5 µm Ni	Fixed	28
Straight PCB	Machined	0.5 µm gold over 3 to 5 µm Ni	Fixed	-

For more information see pages 231 and 233

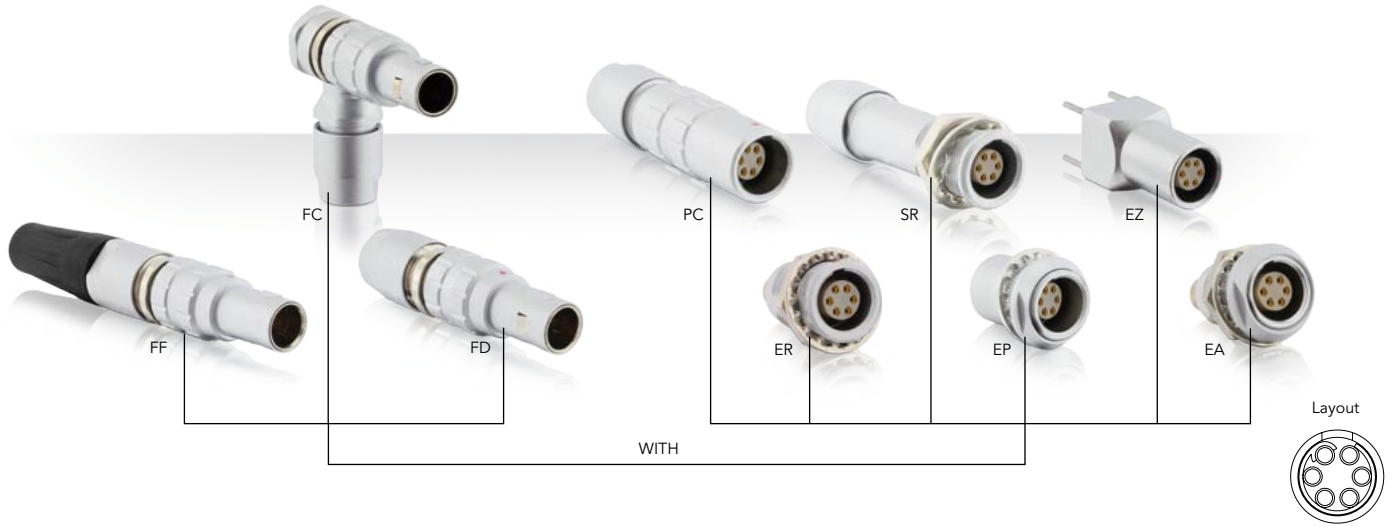
### Mated Connector Length



Electrical Characteristics
<b>UL</b> 2.5A 320V UL94 V-0

Note: all dimensions are in mm

**JBX1-06 - IP40 (6 x Ø 0.7mm)**



**Connector Part Number**

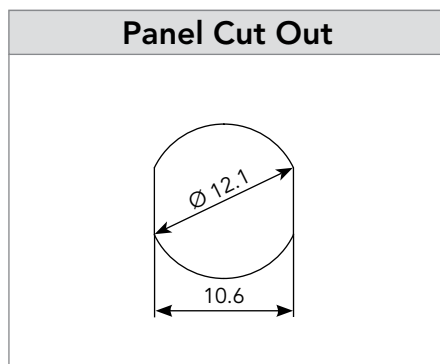
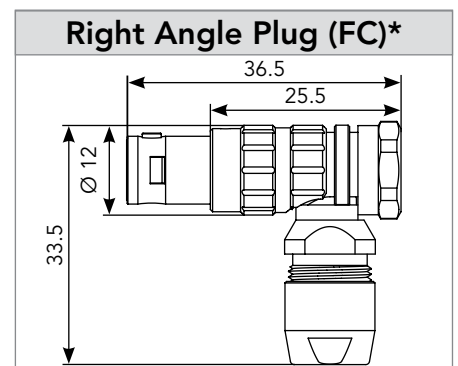
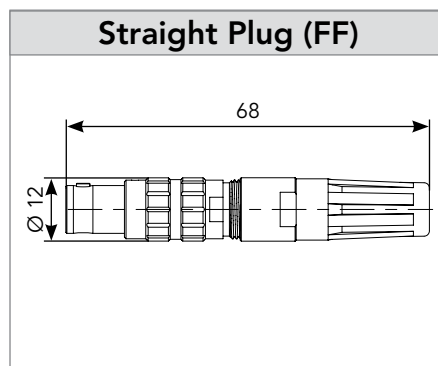
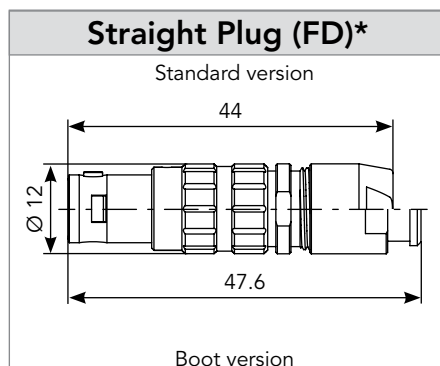
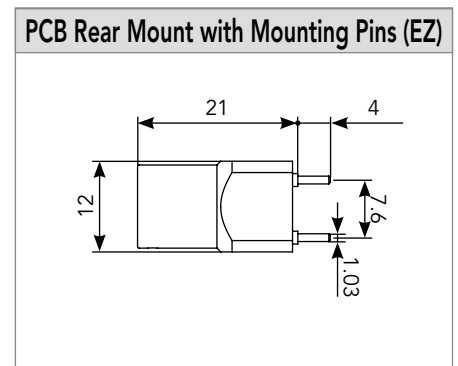
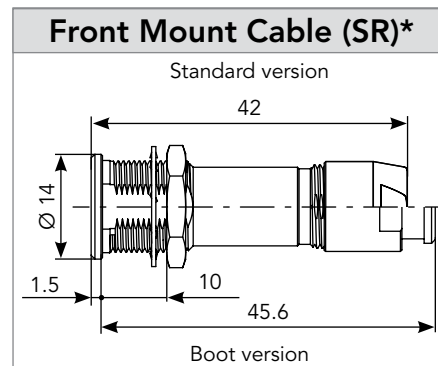
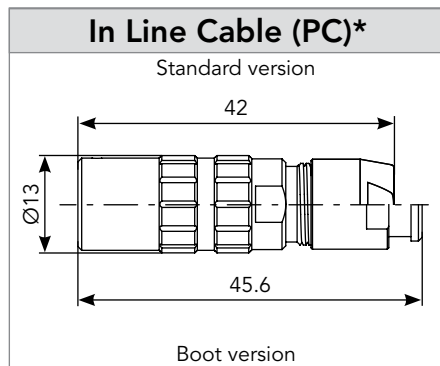
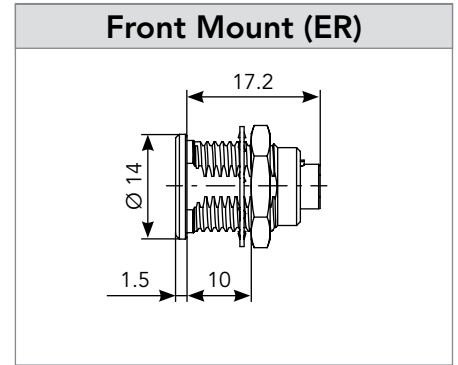
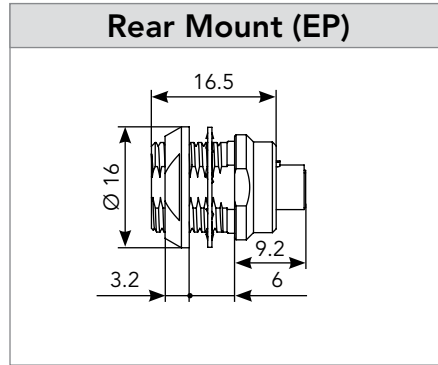
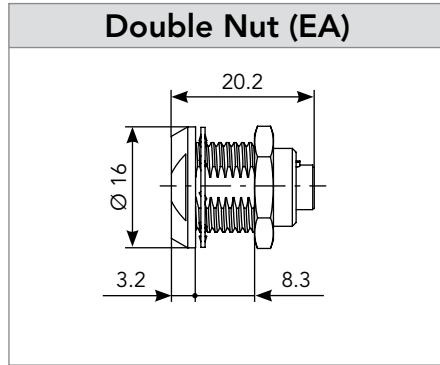
Contact type	Connector type	Description	Part number <sup>(1)</sup>	
			Male insert	Female insert
Solder contacts see page 105	Receptacle	Double nut (EA)	<b>JBXEA1G06MSSDS</b>	<b>JBXEA1G06FSSDS</b>
		Rear mount (EP)	<b>JBXEP1G06MSSDS</b>	<b>JBXEP1G06FSSDS</b>
		Front mount (ER)	<b>JBXER1G06MSSDSR</b>	<b>JBXER1G06FSSDSR</b>
		In line cable (PC) *	<b>JBXPC1G06MSSDSR</b>	<b>JBXPC1G06FSSDSR</b>
		Front mount cable (SR) *	<b>JBXSR1G06MSSDSR</b>	<b>JBXSR1G06FSSDSR</b>
	Plug	Straight plug (FD) *	<b>JBXFD1G06MSSDSR</b>	<b>JBXFD1G06FSSDSR</b>
Straight plug no latch (FF) with black protective boot		<b>JBXFF1G06MSSDSR</b>	<b>JBXFF1G06FSSDSR</b>	
Crimp contacts see page 105	Receptacle	Double nut (EA)	<b>JBXEA1G06MCSDS</b>	<b>JBXEA1G06FCSDS</b>
		Front mount (ER)	<b>JBXER1G06MCSDSR</b>	<b>JBXER1G06FCSDSR</b>
		In line cable (PC) *	<b>JBXPC1G06MCSDSR</b>	<b>JBXPC1G06FCSDSR</b>
	Plug	Right angle plug (FC) *	<b>JBXFC1G06MCSDSR</b>	<b>JBXFC1G06FCSDSR</b>
		Straight plug (FD) *	<b>JBXFD1G06MCSDSR</b>	<b>JBXFD1G06FCSDSR</b>
Straight PCB contacts see page 105	Receptacle	Double nut (EA)	<b>JBXEA1G06MPSDS</b>	<b>JBXEA1G06FPSDS</b>
		Front mount (ER)	<b>JBXER1G06MPSDSR</b>	<b>JBXER1G06FPSDSR</b>
		PCB rear mount with mounting pins (EZ)	<b>JBXEZ1G06MPSDSR</b>	<b>JBXEZ1G06FPSDSR</b>
90° PCB contacts see page 105	Receptacle	Double nut (EA)	-	<b>JBXEA1G06FQSDS</b>
		Rear mount (EP)	-	<b>JBXEP1G06FQSDS</b>

\* In order to get the back nut for protective boot please add «M» after the last «S». Example: JBX Straight Plug, size 1, 6 solder contacts, male insert = JBXFD1G06MSSDSMR. ■ : First choice  
The protective boot need to be ordered separately, see page accessories.

(1): In order to get a black Chrome over Nickel please replace «S» before the «D» by one «N». Example: JBX Straight Plug, size 1, 6 solder contacts, male insert = JBXFD1G06MSNDSR.

**JBX1-06 - IP40** (6 x Ø 0.7mm)

**Dimensions** (For mated connector lengths see page 105)



Note: all dimensions are in mm

**JBX1-06 - IP40 (6 x Ø 0.7mm)**

**Receptacle Dust Cap**




Part number
JBXBR1

**Plug Dust Cap**




Part number
JBXBF1

**Grounding Washer**



Part number
JAXRA1251

**Insulating Washer**



Part number	Color
JBX1RIA	Blue
JBX1RIB	White
JBX1RIG	Grey
JBX1RIJ	Yellow
JBX1RIM	Brown
JBX1RIN	Black
JBX1RIR	Red
JBX1RIV	Green
JBX1RIO	Orange

Note : Insulating washers are not compatible with the IP68 versions

**Protective Boot**

Available only for PC - FC - FD - SR, with back nut protective boot 



Part number	Color
JBX1MPA	Blue
JBX1MPB	White
JBX1MPG	Grey
JBX1MPJ	Yellow
JBX1MPM	Brown
JBX1MPN	Black
JBX1MPR	Red
JBX1MPV	Green
JBX1MPO	Orange

The overall length is 21 mm longer with the protective boot.  
Note: The protective boot is not a sealing element.


**Tooling**

**Crimp Tooling**



Part number
MIL-22520/7-01

**Locator**



Part number	
Male	Female
JBX10UTLP07	JBX10UTLS07

**Extraction Tool**



Part number
JBXOUTDC07

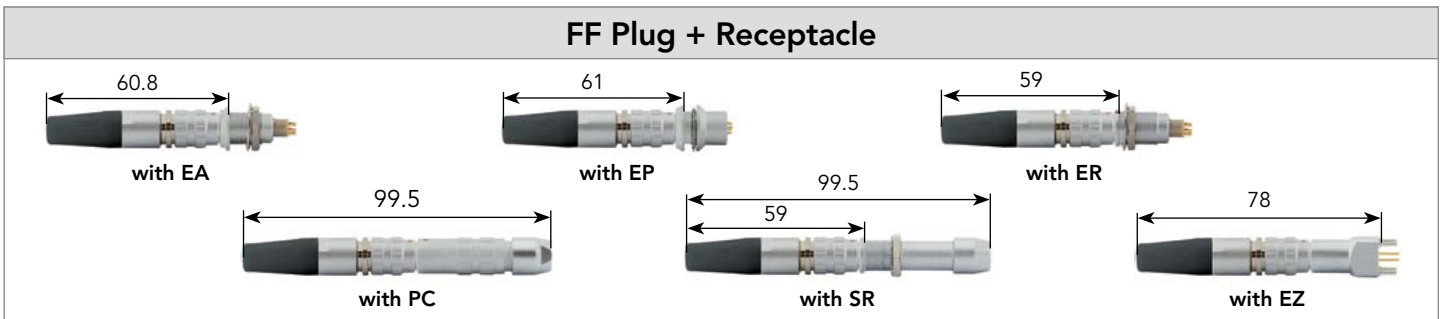
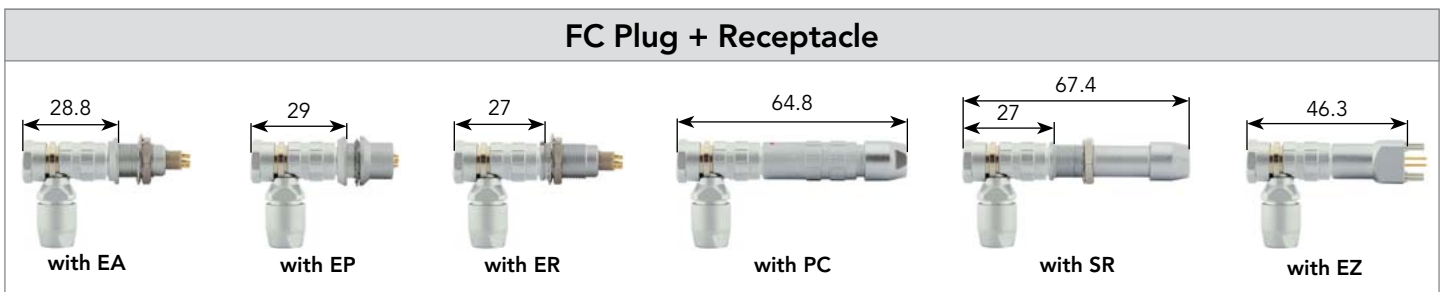
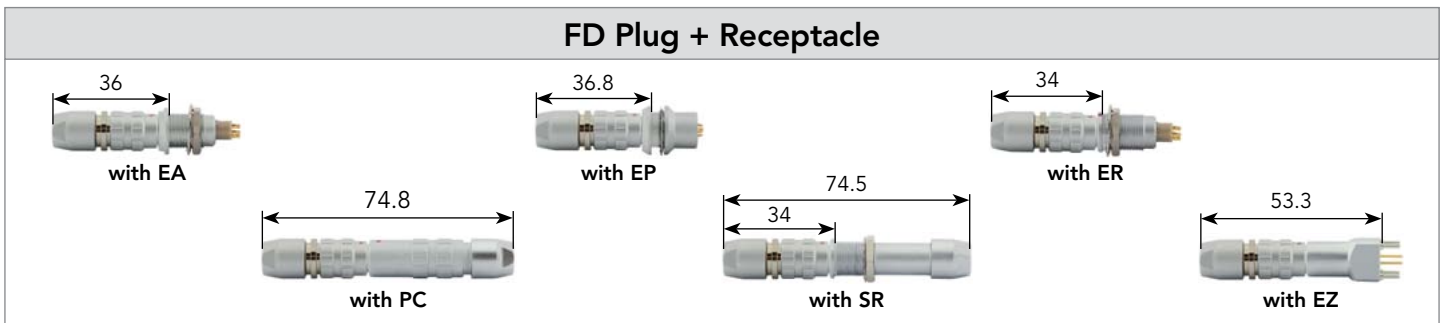
**JBX1-06 - IP40** (6 x Ø 0.7mm)

**Contacts**

Ø 0.7 mm	Contact type	Plating	Contact locking type	AWG
Solder	Machined	0.5 µm gold over 3 to 5 µm Ni	Fixed	22
Crimp	Machined	0.5 µm gold over 3 to 5 µm Ni	Removable	22 - 24 - 26
Straight PCB	Machined	0.5 µm gold over 3 to 5 µm Ni	Fixed	-
90° PCB	Machined	0.5 µm gold over 3 to 5 µm Ni	Removable	-

For more information see pages 231 to 234

**Mated Connector Length**

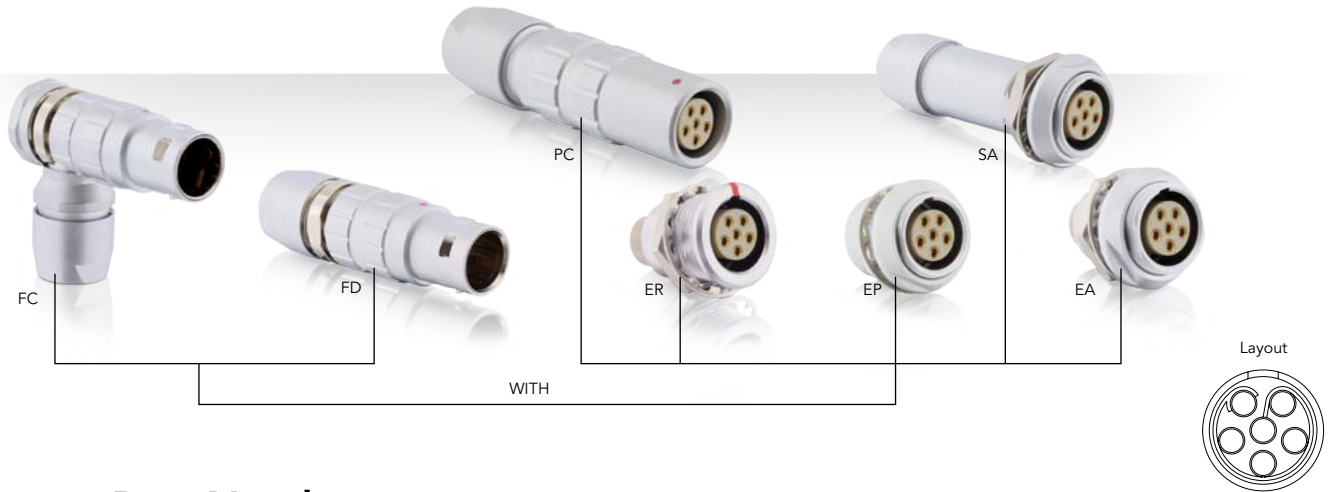


**Electrical Characteristics**

**UL**  
7A 660V UL94 V-0

Note: all dimensions are in mm

**JBX2-06 - IP40 (6 x Ø 1.3 mm) - See waterproof IP68 version page 108**



**Connector Part Number**

Contact type	Connector type	Description	Part number <sup>(1)</sup>	
			Male insert	Female insert
Solder contacts see page 110	Receptacle	Double nut (EA)	<b>JBXEA2G06MSSDS</b>	<b>JBXEA2G06FSSDS</b>
		Rear mount (EP)	<b>JBXEP2G06MSSDS</b>	<b>JBXEP2G06FSSDS</b>
		Front mount (ER)	<b>JBXER2G06MSSDSR</b>	<b>JBXER2G06FSSDSR</b>
		In line cable (PC) *	<b>JBXPC2G06MSSDSR</b>	<b>JBXPC2G06FSSDSR</b>
	Plug	Straight plug (FD) *	<b>JBXFD2G06MSSDSR</b>	<b>JBXFD2G06FSSDSR</b>
Crimp contacts see page 110	Receptacle	Double nut (EA)	<b>JBXEA2G06MCSDS</b>	<b>JBXEA2G06FCSDS</b>
		Rear mount (EP)	<b>JBXEP2G06MCSDS</b>	<b>JBXEP2G06FCSDS</b>
		Front mount (ER)	<b>JBXER2G06MCSDSR</b>	<b>JBXER2G06FCSDSR</b>
		In line cable (PC) *	<b>JBXPC2G06MCSDSR</b>	<b>JBXPC2G06FCSDSR</b>
		Rear mount cable (SA) *	<b>JBXSA2G06MCSDS</b>	<b>JBXSA2G06FCSDS</b>
	Plug	Right angle plug (FC) *	<b>JBXFC2G06MCSDSR</b>	<b>JBXFC2G06FCSDSR</b>
		Straight plug (FD) *	<b>JBXFD2G06MCSDSR</b>	<b>JBXFD2G06FCSDSR</b>
Straight PCB contacts see page 110	Receptacle	Double nut (EA)	<b>JBXEA2G06MPSDS</b>	<b>JBXEA2G06FPSDS</b>
		Rear mount (EP)	<b>JBXEP2G06MPSDS</b>	<b>JBXEP2G06FPSDS</b>
		Front mount (ER)	<b>JBXER2G06MPSDSR</b>	<b>JBXER2G06FPSDSR</b>

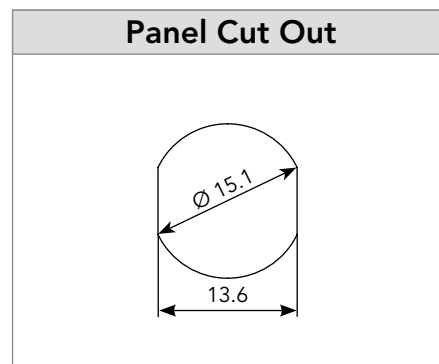
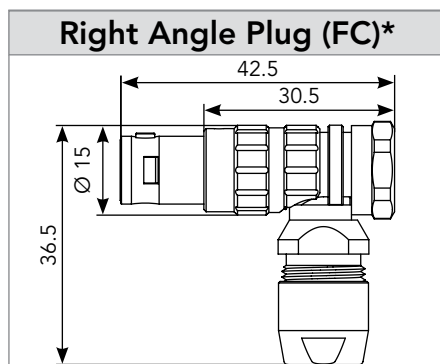
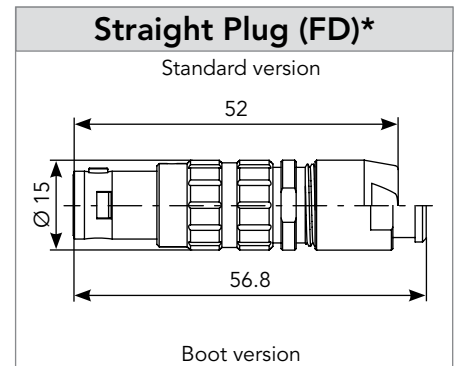
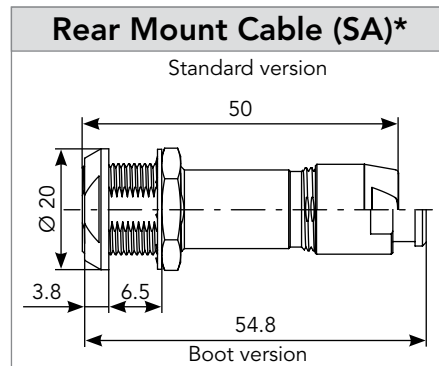
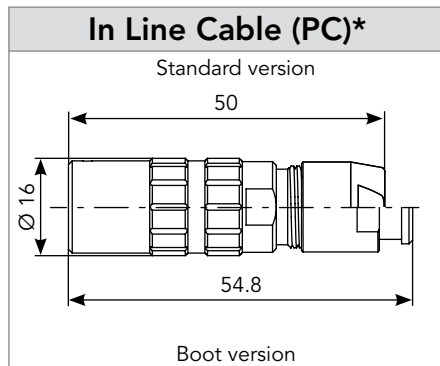
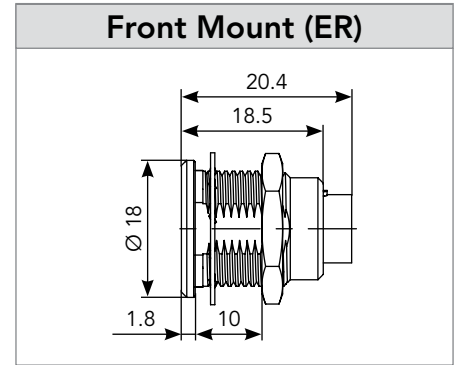
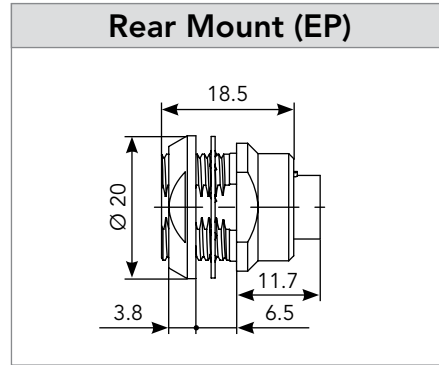
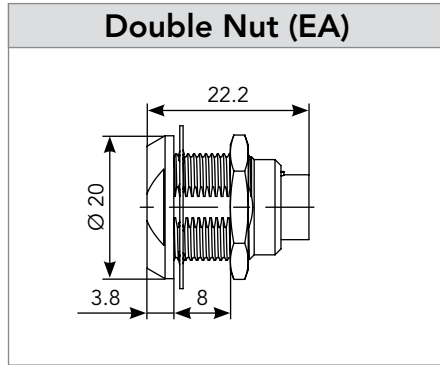
\* In order to get the back nut for protective boot please add «M» after the last «S». Example: JBX Straight Plug, size 2, 6 solder contacts, male insert = JBXFD2G06MSSDSMR.   : First choice  
The protective boot need to be ordered separately, see page accessories.

(1): In order to get a black Chrome over Nickel please replace «S» before the «D» by one «N». Example: JBX Straight Plug, size 2, 6 solder contacts, male insert = JBXFD2G06MSNDSR.



**JBX2-06 - IP40** (6 x Ø 1.3 mm) - See waterproof IP68 version page 108

**Dimensions** (For mated connector lengths see page 110)



Note: all dimensions are in mm

**JBX2-06 - IP68** (6 x Ø 1.3 mm) - See non sealed IP40 version page 106



**Connector Part Number**

Contact type	Connector type	Description	Part number <sup>(1)</sup>	
			Male insert	Female insert
Solder contacts see page 110	Receptacle	Double nut, front or rear mount (EC)	<b>JBXEC2G06MSSDS</b>	<b>JBXEC2G06FSSDS</b>
		Front mount extended (HH) ☁	<b>JBXHH2G06MSSDSR</b>	<b>JBXHH2G06FSSDSR</b>
	Plug	Straight plug (FH) *	<b>JBXFH2G06MSSDSR</b>	<b>JBXFH2G06FSSDSR</b>
Crimp contacts see page 110	Receptacle	Double nut, front or rear mount (EC)	<b>JBXEC2G06MCSDS</b>	<b>JBXEC2G06FCSDS</b>
		Front mount extended (HH)	<b>JBXHH2G06MCSDSR</b>	<b>JBXHH2G06FCSDSR</b>
	Plug	Straight plug (FH) *	<b>JBXFH2G06MCSDSR</b>	<b>JBXFH2G06FCSDSR</b>
Straight PCB contacts see page 110	Receptacle	Double nut, front or rear mount (EC)	<b>JBXEC2G06MPSDS</b>	<b>JBXEC2G06FPSDS</b>

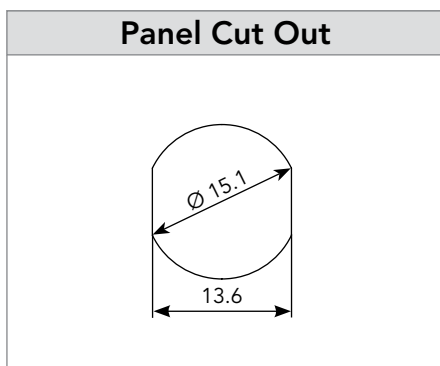
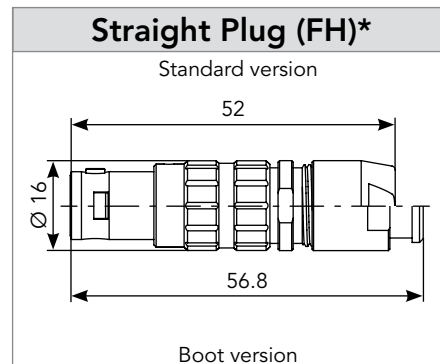
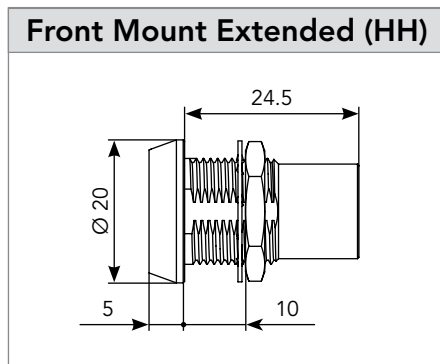
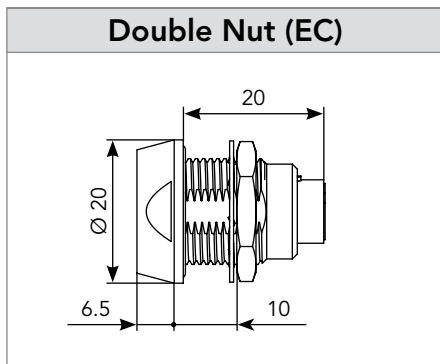
\* In order to get the back nut for protective boot please add «M» after the last «S». Example: JBX Straight Plug, size 2, 6 solder contacts, male insert = JBXFH2G06MSSDSMR. The protective boot need to be ordered separately, see page accessories.

1: In order to get a black Chrome over Nickel please replace «S» before the «D» by one «N». Example: JBX Straight Plug, size 2, 6 solder contacts, male insert = JBXFH2G06MSNDSR.

☁ : Sealed in Unmated Condition

**JBX2-06 - IP68** (6 x Ø 1.3 mm) - See non sealed IP40 version page 106

**Dimensions** (For mated connector lengths see page 110)



## JBX2-06 - IP40 & IP68 (6 x Ø 1.3 mm)

### Accessories

**Receptacle Dust Cap**




Part number
<b>JBXBR2</b>

**Plug Dust Cap**




Part number
<b>JBXBF2</b>

**Grounding Washer**



Part number
<b>JAXRA2252</b>

**Insulating Washer**



Part number	Color
<b>JBX2RIA</b>	Blue
<b>JBX2RIB</b>	White
<b>JBX2RIG</b>	Grey
<b>JBX2RIJ</b>	Yellow
<b>JBX2RIM</b>	Brown
<b>JBX2RIN</b>	Black
<b>JBX2RIR</b>	Red
<b>JBX2RIV</b>	Green
<b>JBX2RIO</b>	Orange

Note : Insulating washers are not compatible with the IP68 versions

**Protective Boot**

Available only for PC - FC - FD - SA, FH, with back nut protective boot 



Part number	Color
<b>JBX2MPA</b>	Blue
<b>JBX2MPB</b>	White
<b>JBX2MPG</b>	Grey
<b>JBX2MPJ</b>	Yellow
<b>JBX2MPM</b>	Brown
<b>JBX2MPN</b>	Black
<b>JBX2MPR</b>	Red
<b>JBX2MPV</b>	Green
<b>JBX2MPO</b>	Orange

The overall length is 25 mm longer with the protective boot.  
Note: The protective boot is not a sealing element.


### Tooling

**Crimp Tooling**



Part number
<b>MIL-22520/7-01</b>

**Locator**



Part number	
Male	Female
<b>JBX20UTLP13</b>	<b>JBX20UTLS13</b>

**Extraction Tool**



Part number
<b>JBX0UTDC13</b>

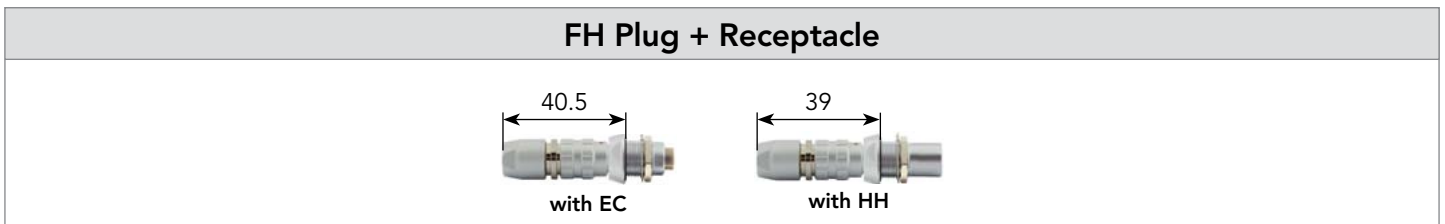
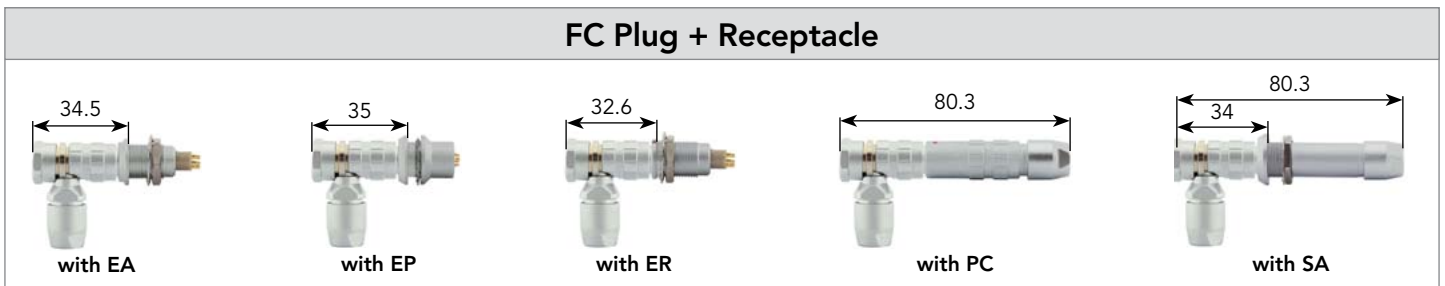
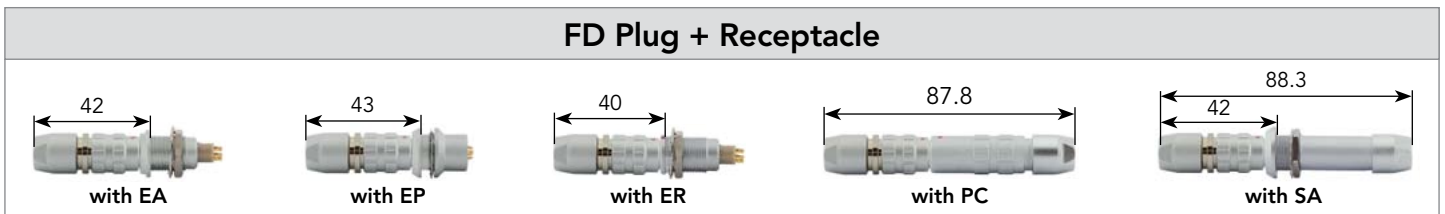
## JBX2-06 - IP40 & IP68 (6 x Ø 1.3 mm)

### Contacts

Ø 1.3 mm	Contact type	Plating	Contact locking type	AWG
Solder	Machined	0.5 µm gold over 3 to 5 µm Ni	Removable	20
Crimp	Machined	0.5 µm gold over 3 to 5 µm Ni	Removable	18 - 20 - 22
Straight PCB	Machined	0.5 µm gold over 3 to 5 µm Ni	Fixed	-

For more information see pages 231 to 233

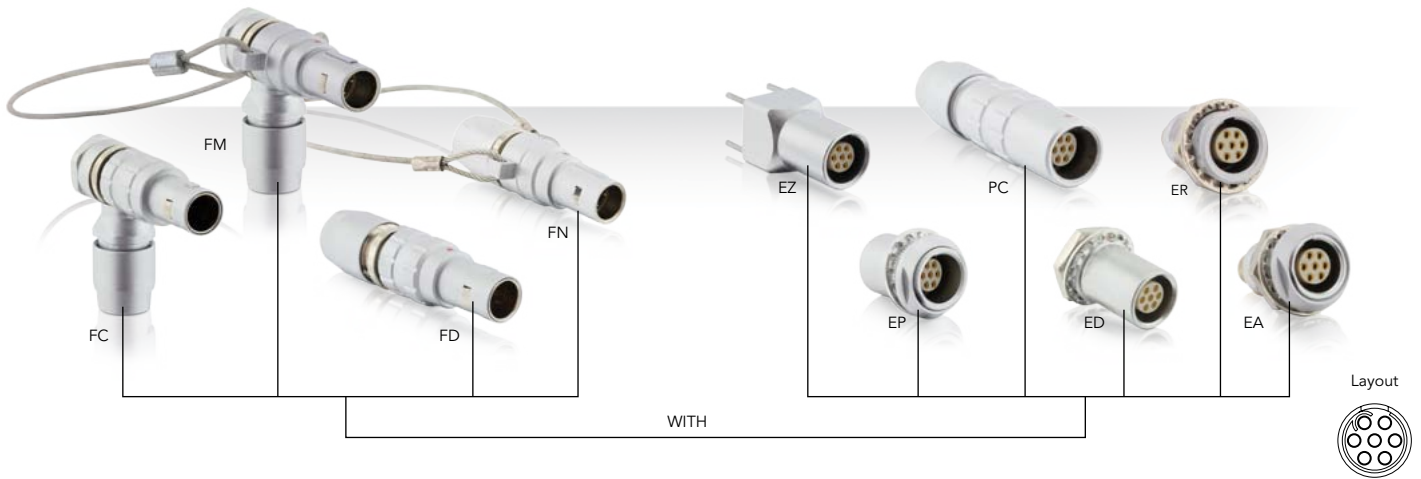
### Mated Connector Length



Electrical Characteristics
<p><b>UL</b> 12A 900V UL94 V-0</p>

Note: all dimensions are in mm

**JBX0-07 - IP40 (7 x Ø 0.5mm) - See waterproof IP68 version page 114**



**Connector Part Number**

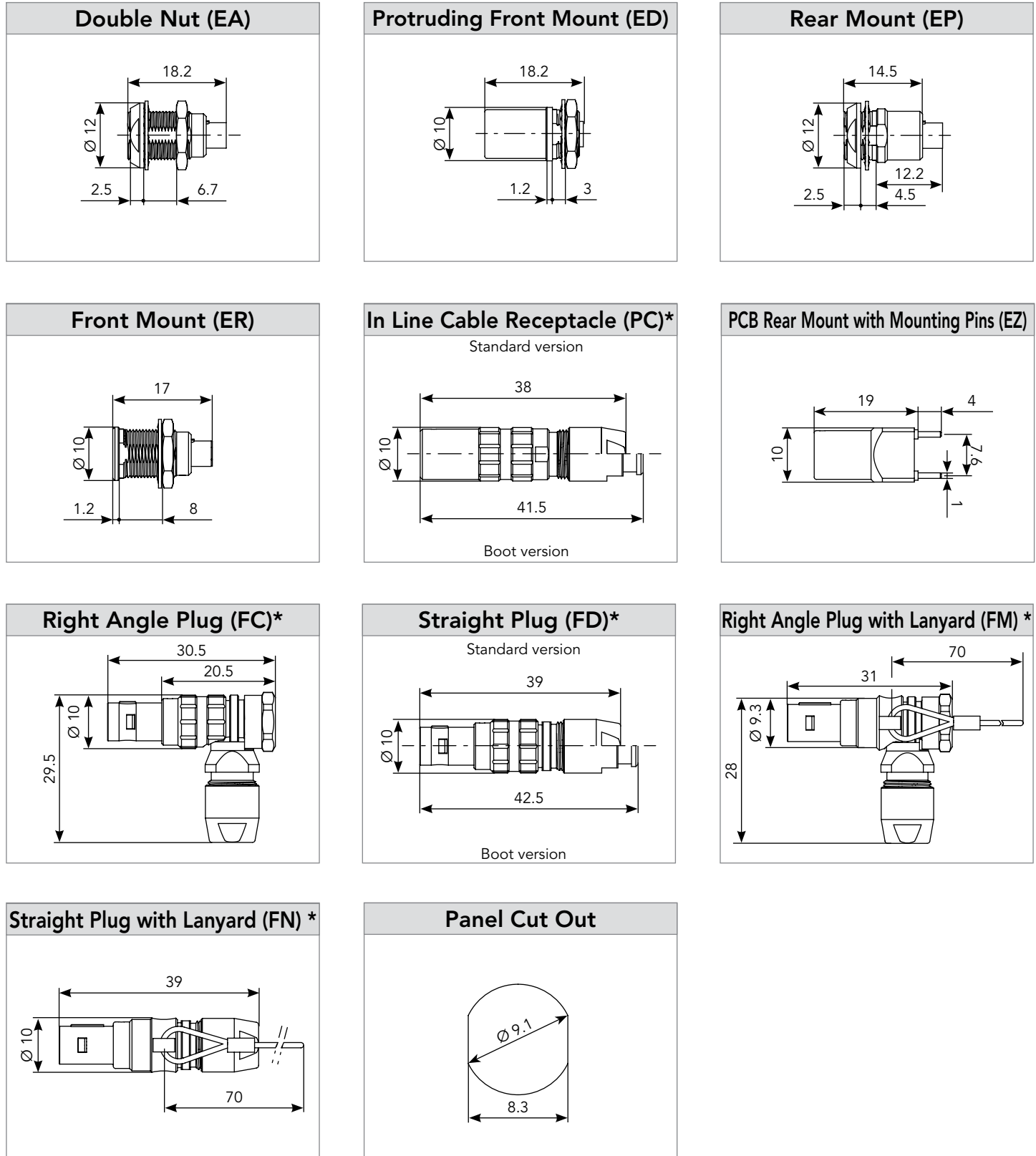
Contact type	Connector type	Description	Part number <sup>(1)</sup>	
			Male insert	Female insert
Solder contacts see page 117	Receptacle	Double nut (EA)	<b>JBXEA0G07MSSDS</b>	<b>JBXEA0G07FSSDS</b>
		Protruding front mount (ED)	<b>JBXED0G07MSSDSR</b>	<b>JBXED0G07FSSDSR</b>
		Rear mount (EP)	<b>JBXEP0G07MSSDS</b>	<b>JBXEP0G07FSSDS</b>
		Front mount (ER)	<b>JBXER0G07MSSDSR</b>	<b>JBXER0G07FSSDSR</b>
		In line cable (PC) *	<b>JBXPC0G07MSSDSR</b>	<b>JBXPC0G07FSSDSR</b>
	Plug	Right angle plug (FC) *	<b>JBXFC0G07MSSDSR</b>	<b>JBXFC0G07FSSDSR</b>
		Straight plug (FD) *	<b>JBXFD0G07MSSDSR</b>	<b>JBXFD0G07FSSDSR</b>
		Right Angle plug with lanyard (FM) *	<b>JBXFM0G07MSSDSR</b>	<b>JBXFM0G07FSSDSR</b>
Straight PCB contacts see page 117	Receptacle	Straight plug with lanyard (FN) *	<b>JBXFN0G07MSSDSR</b>	<b>JBXFN0G07FSSDSR</b>
		Double nut (EA)	<b>JBXEA0G07MPSDS</b>	<b>JBXEA0G07FPSDS</b>
		Rear mount (EP)	<b>JBXEP0G07MPSDS</b>	<b>JBXEP0G07FPSDS</b>
		PCB rear mount with mounting pins (EZ)	<b>JBXEZ0G07MPSDSR</b>	<b>JBXEZ0G07FPSDSR</b>

\* In order to get the back nut for protective boot please add «M» after the last «S». Example: JBX Straight Plug, size 0, 7 solder contacts, male insert = JBXFD0G07MSSDSMR.   : First choice  
The protective boot need to be ordered separately, see page accessories.

(1): In order to get a black Chrome over Nickel please replace «S» before the «D» by one «N». Example: JBX Straight Plug, size 0, 7 solder contacts, male insert = JBXFD0G07MSNDSR.

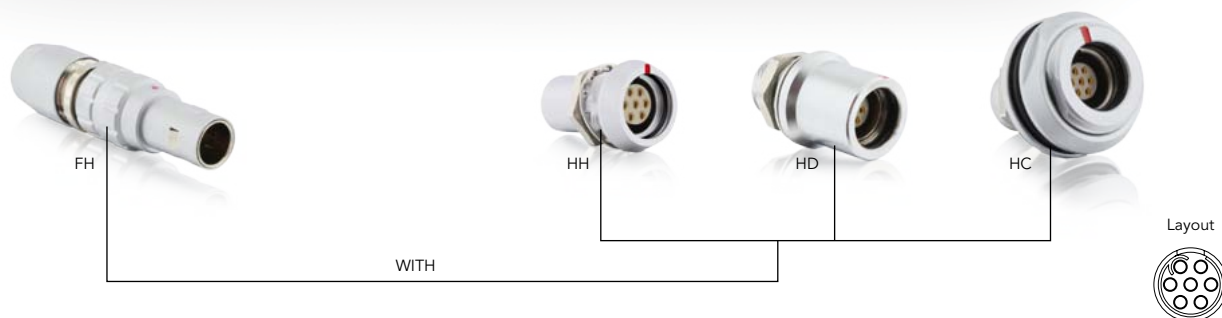
**JBX0-07 - IP40** (7 x Ø 0.5mm) - See waterproof IP68 version page 114

**Dimensions** (For mated connector lengths see page 117)



Note: all dimensions are in mm

**JBX0-07 - IP68** (7 x Ø 0.5mm) - See non sealed IP40 version page 112



**Connector Part Number**

Contact type	Connector type	Description	Part number <sup>(1)</sup>	
			Male insert	Female insert
Solder contacts see page 117	Receptacle	Rear mount (HC) ☁	<b>JBXHC0G07MSSDSR</b>	<b>JBXHC0G07FSSDSR</b>
		Protruding front mount (HD) ☁	<b>JBXHD0G07MSSDSR</b>	<b>JBXHD0G07FSSDSR</b>
		Front mount extended (HH) ☁	<b>JBXHH0G07MSSDSR</b>	<b>JBXHH0G07FSSDSR</b>
	Plug	Straight plug (FH) *	<b>JBXFH0G07MSSDSR</b>	<b>JBXFH0G07FSSDSR</b>
Straight PCB contacts see page 117	Receptacle	Rear mount (HC) ☁	<b>JBXHC0G07MPSSDR</b>	<b>JBXHC0G07FPSSDR</b>

\* In order to get the back nut for protective boot please add «M» after the last «S». Example: JBX Straight Plug, size 0, 7 solder contacts, male insert = JBXFH0G07MSSDSMR.   : First choice  
 The protective boot need to be ordered separately, see page accessories.

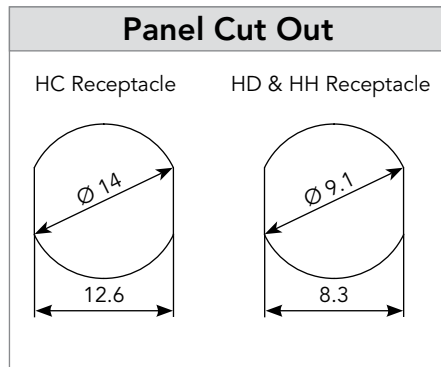
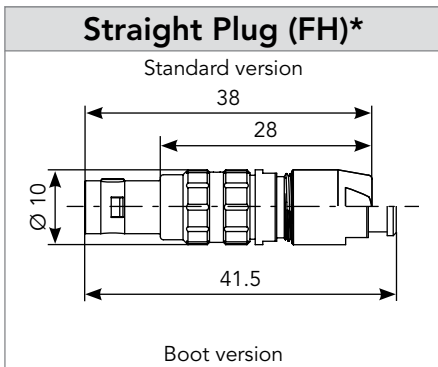
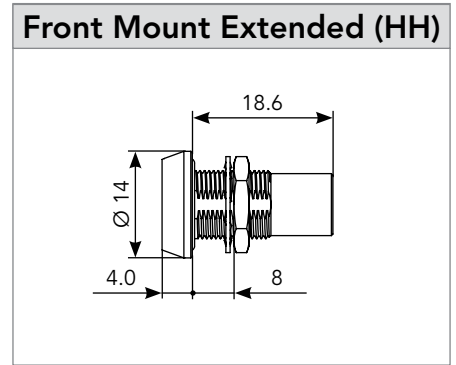
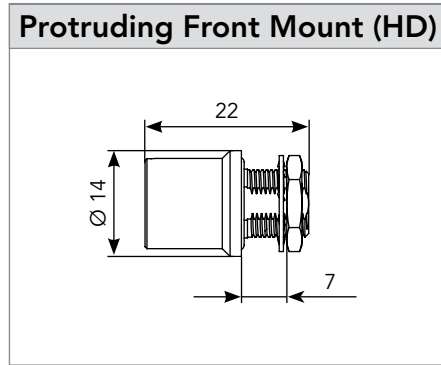
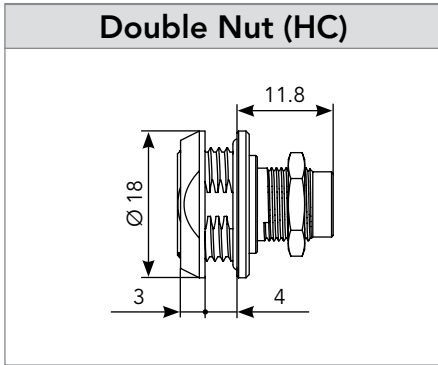
1: In order to get a black Chrome over Nickel please replace «S» before the «D» by one «N». Example: JBX Straight Plug, size 0, 7 solder contacts, male insert = JBXFH0G07MSNDSR.

☁ : Sealed in Unmated Condition



**JBX0-07 - IP68** (7 x Ø 0.5mm) - See non sealed IP40 version page 112

**Dimensions** (For mated connector lengths see page 117)



Note: all dimensions are in mm

**JBX0-07 - IP40 & IP68 (7 x Ø 0.5mm)**

**Accessories**

**Receptacle Dust Cap**




Part number
<b>JBXBRØ</b>

**Plug Dust Cap**




Part number
<b>JBXBFØ</b>

**Grounding Washer**



Part number
<b>JAXRAØ251</b>

**Insulating Washer**



Part number	Color
<b>JBXØRIA</b>	Blue
<b>JBXØRIB</b>	White
<b>JBXØRIG</b>	Grey
<b>JBXØRIJ</b>	Yellow
<b>JBXØRIM</b>	Brown
<b>JBXØRIN</b>	Black
<b>JBXØRIR</b>	Red
<b>JBXØRIV</b>	Green
<b>JBXØRIO</b>	Orange

Note : Insulating washers are not compatible with the IP68 versions

**Protective Boot**

Available only for PC - FC - FD - FM - FN - FH, with back nut protective boot 



Part number	Color
<b>JBXØMPA</b>	Blue
<b>JBXØMPB</b>	White
<b>JBXØMPG</b>	Grey
<b>JBXØMPJ</b>	Yellow
<b>JBXØMPM</b>	Brown
<b>JBXØMPN</b>	Black
<b>JBXØMPR</b>	Red
<b>JBXØMPV</b>	Green
<b>JBXØMPO</b>	Orange

The overall length is 17 mm longer with the protective boot.  
Note: The protective boot is not a sealing element.

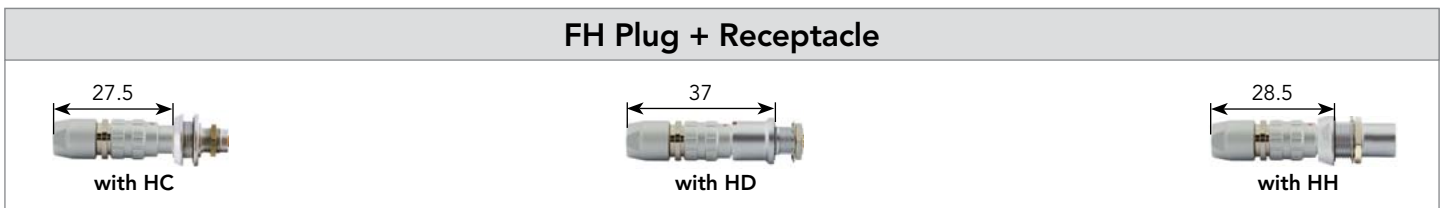
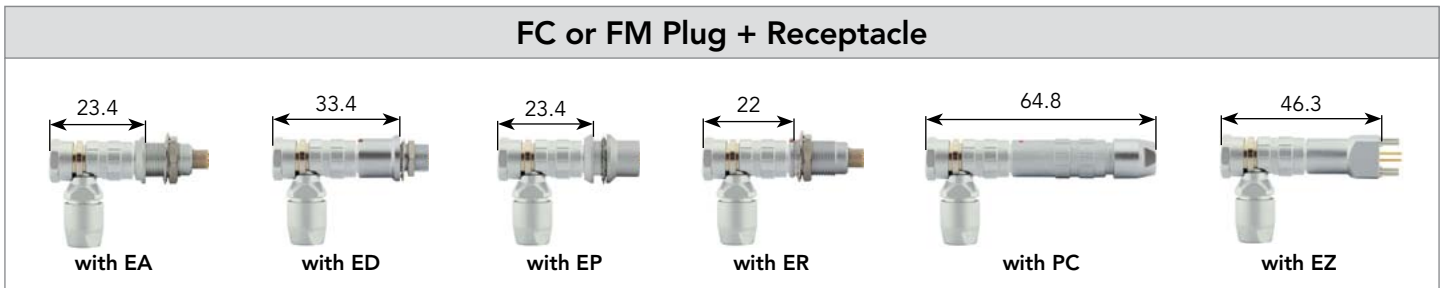
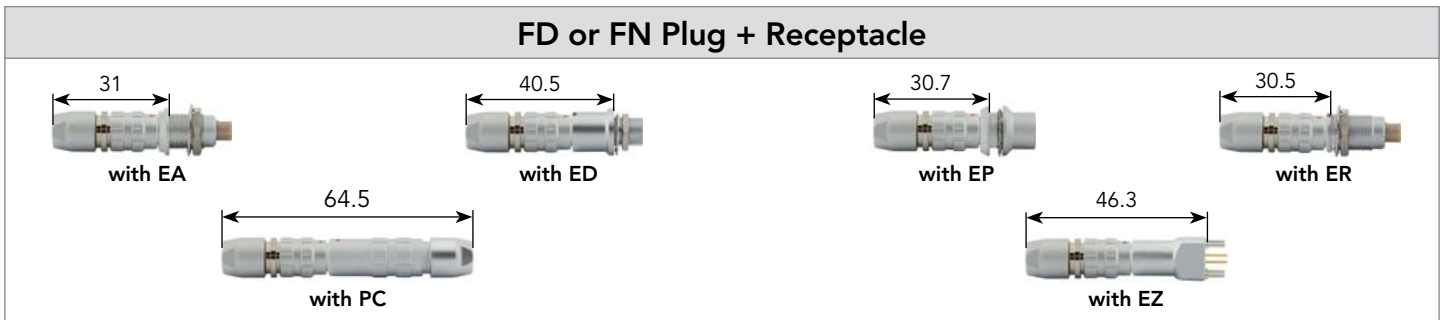
## JBX0-07 - IP40 & IP68 (7 x Ø 0.5mm)

### Contacts

Ø 0.5 mm	Contact type	Plating	Contact locking type	AWG - Wire max.
Solder	Machined	0.5 µm gold over 3 to 5 µm Ni	Fixed	28
Straight PCB	Machined	0.5 µm gold over 3 to 5 µm Ni	Fixed	-

For more information see pages 231 and 233

### Mated Connector Length

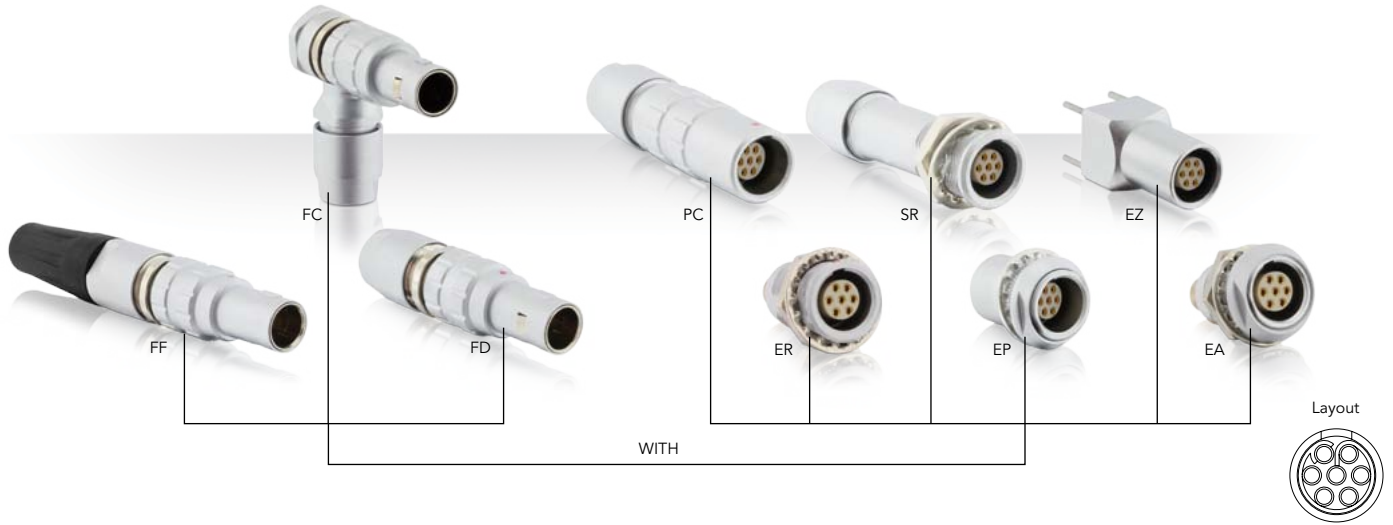


**Electrical Characteristics**

**UL**  
2.5A 320V UL94 V-0

Note: all dimensions are in mm

**JBX1-07 - IP40 (7 x Ø 0.7mm)**



**Connector Part Number**

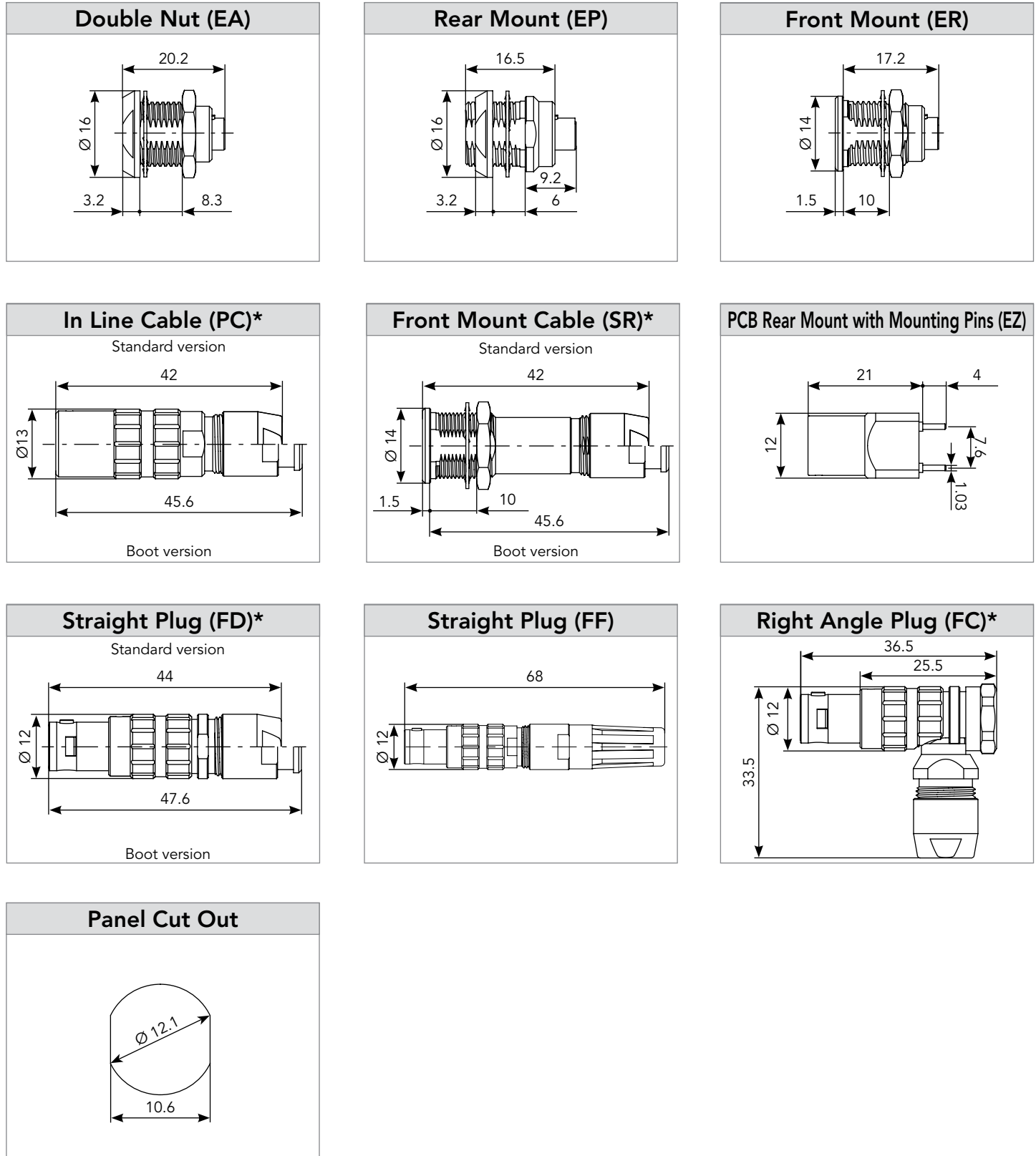
Contact type	Connector type	Description	Part number <sup>(1)</sup>	
			Male insert	Female insert
Solder contacts see page 121	Receptacle	Double nut (EA)	<b>JBXEA1G07MSSDS</b>	<b>JBXEA1G07FSSDS</b>
		Rear mount (EP)	<b>JBXEP1G07MSSDS</b>	<b>JBXEP1G07FSSDS</b>
		Front mount (ER)	<b>JBXER1G07MSSDSR</b>	<b>JBXER1G07FSSDSR</b>
		In line cable (PC) *	<b>JBXPC1G07MSSDSR</b>	<b>JBXPC1G07FSSDSR</b>
		Front mount cable (SR) *	<b>JBXSR1G07MSSDSR</b>	<b>JBXSR1G07FSSDSR</b>
	Plug	Straight plug (FD) *	<b>JBXFD1G07MSSDSR</b>	<b>JBXFD1G07FSSDSR</b>
Straight plug no latch (FF) with black protective boot		<b>JBXFF1G07MSSDSR</b>	<b>JBXFF1G07FSSDSR</b>	
Crimp contacts see page 121	Receptacle	Double nut (EA)	<b>JBXEA1G07MCSDS</b>	<b>JBXEA1G07FCSDS</b>
		Front mount (ER)	<b>JBXER1G07MCSDSR</b>	<b>JBXER1G07FCSDSR</b>
		In line cable (PC) *	<b>JBXPC1G07MCSDSR</b>	<b>JBXPC1G07FCSDSR</b>
	Plug	Right angle plug (FC) *	<b>JBXFC1G07MCSDSR</b>	<b>JBXFC1G07FCSDSR</b>
		Straight plug (FD) *	<b>JBXFD1G07MCSDSR</b>	<b>JBXFD1G07FCSDSR</b>
Straight PCB contacts see page 121	Receptacle	Double nut (EA)	<b>JBXEA1G07MPSDS</b>	<b>JBXEA1G07FPSDS</b>
		Front mount (ER)	<b>JBXER1G07MPSDSR</b>	<b>JBXER1G07FPSDSR</b>
		PCB rear mount with mounting pins (EZ)	<b>JBXEZ1G07MPSDSR</b>	<b>JBXEZ1G07FPSDSR</b>
90° PCB contacts see page 121	Receptacle	Double nut (EA)	-	<b>JBXEA1G07FQSDS</b>
		Rear mount (EP)	-	<b>JBXEP1G07FQSDS</b>

\* In order to get the back nut for protective boot please add «M» after the last «S». Example: JBX Straight Plug, size 1, 7 solder contacts, male insert = JBXFD1G07MSSDSMR.   : First choice  
The protective boot need to be ordered separately, see page accessories.

(1): In order to get a black Chrome over Nickel please replace «S» before the «D» by one «N». Example: JBX Straight Plug, size 1, 7 solder contacts, male insert = JBXFD1G07MSNDSR.

**JBX1-07 - IP40** (7 x Ø 0.7mm)

**Dimensions** (For mated connector lengths see page 121)



Connector

Note: all dimensions are in mm

**JBX1-07 - IP40 (7 x Ø 0.7mm)**

**Receptacle Dust Cap**




Part number
<b>JBXBR1</b>

**Plug Dust Cap**




Part number
<b>JBXBF1</b>

**Grounding Washer**



Part number
<b>JAXRA1251</b>


**Insulating Washer**




Part number	Color
<b>JBX1RIA</b>	Blue
<b>JBX1RIB</b>	White
<b>JBX1RIG</b>	Grey
<b>JBX1RIJ</b>	Yellow
<b>JBX1RIM</b>	Brown
<b>JBX1RIN</b>	Black
<b>JBX1RIR</b>	Red
<b>JBX1RIV</b>	Green
<b>JBX1RIO</b>	Orange

Note : Insulating washers are not compatible with the IP68 versions

**Protective Boot**

Available only for PC - FC - FD - SR, with back nut protective boot 



Part number	Color
<b>JBX1MPA</b>	Blue
<b>JBX1MPB</b>	White
<b>JBX1MPG</b>	Grey
<b>JBX1MPJ</b>	Yellow
<b>JBX1MPM</b>	Brown
<b>JBX1MPN</b>	Black
<b>JBX1MPR</b>	Red
<b>JBX1MPV</b>	Green
<b>JBX1MPO</b>	Orange

The overall length is 21 mm longer with the protective boot.  
Note: The protective boot is not a sealing element.


**Tooling**

**Crimp Tooling**



Part number
<b>MIL-22520/7-01</b>

**Locator**



Part number	
Male	Female
<b>JBX10UTLP07</b>	<b>JBX10UTLS07</b>

**Extraction Tool**



Part number
<b>JBXOUTDC07</b>

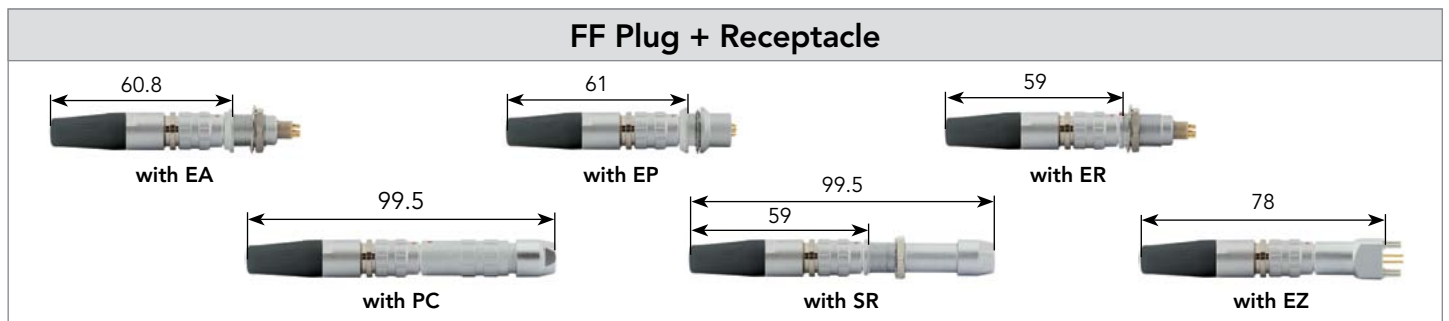
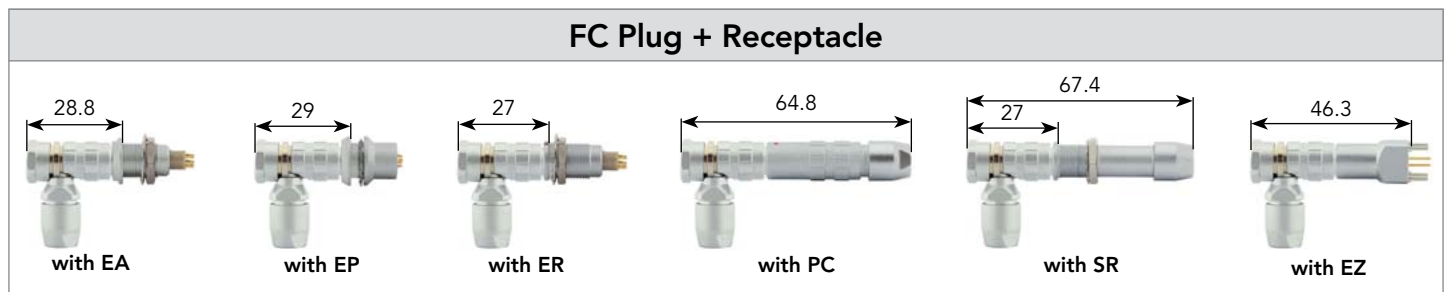
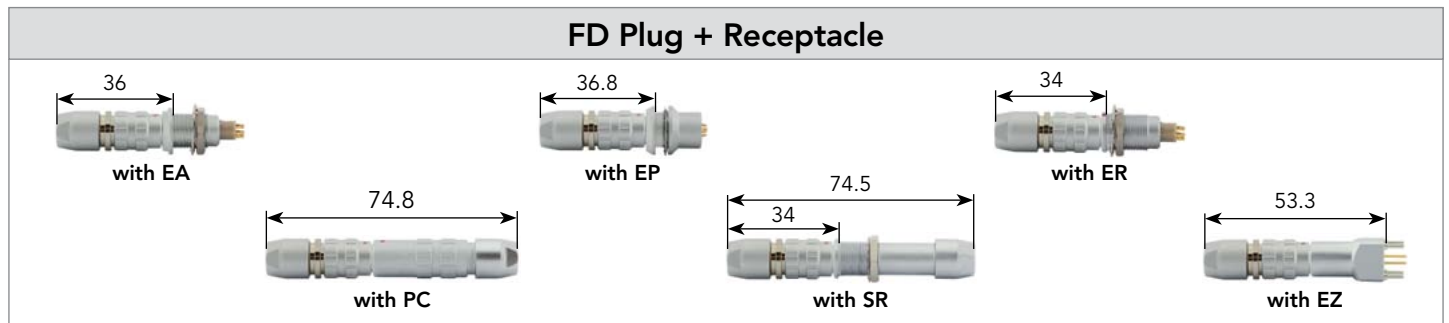
## JBX1-07 - IP40 (7 x Ø 0.7mm)

### Contacts

Ø 0.7 mm	Contact type	Plating	Contact locking type	AWG
Solder	Machined	0.5 µm gold over 3 to 5 µm Ni	Fixed	22
Crimp	Machined	0.5 µm gold over 3 to 5 µm Ni	Removable	22 - 24 - 26
Straight PCB	Machined	0.5 µm gold over 3 to 5 µm Ni	Fixed	-
90° PCB	Machined	0.5 µm gold over 3 to 5 µm Ni	Removable	-

For more information see pages 231 to 234

### Mated Connector Length

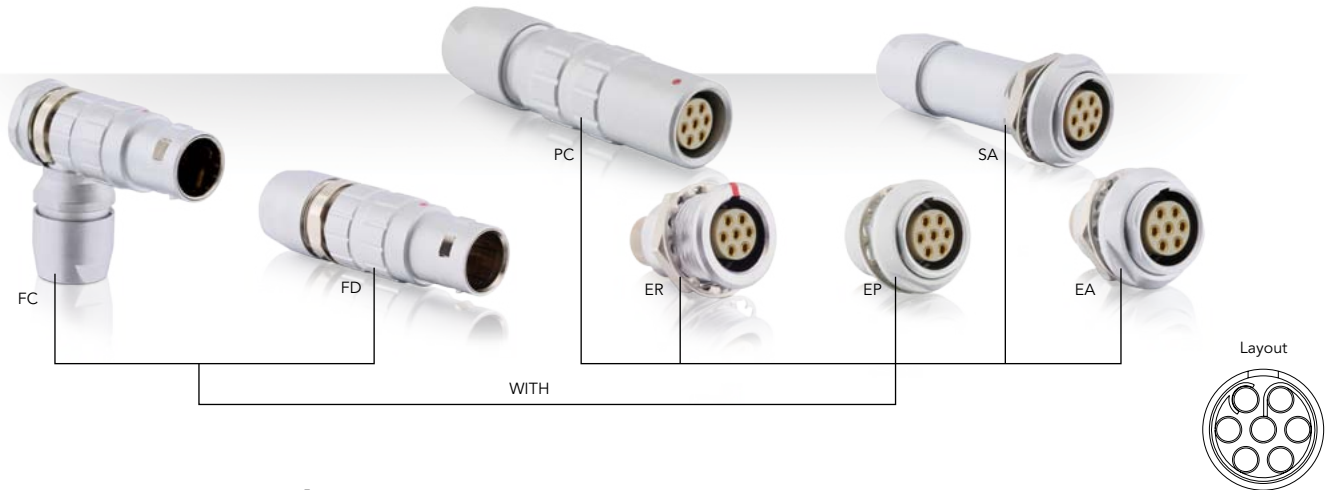


**Electrical Characteristics**

**UL**  
7A 660V UL94 V-0

Note: all dimensions are in mm

**JBX2-07 - IP40 (7 x Ø 1.3 mm) - See waterproof IP68 version page 124**



**Connector Part Number**

Contact type	Connector type	Description	Part number <sup>(1)</sup>	
			Male insert	Female insert
Solder contacts see page 127	Receptacle	Double nut (EA)	<b>JBXEA2G07MSSDS</b>	<b>JBXEA2G07FSSDS</b>
		Rear mount (EP)	<b>JBXEP2G07MSSDS</b>	<b>JBXEP2G07FSSDS</b>
		Front mount (ER)	<b>JBXER2G07MSSDSR</b>	<b>JBXER2G07FSSDSR</b>
		In line cable (PC) *	<b>JBXPC2G07MSSDSR</b>	<b>JBXPC2G07FSSDSR</b>
	Plug	Straight plug (FD) *	<b>JBXFD2G07MSSDSR</b>	<b>JBXFD2G07FSSDSR</b>
Crimp contacts see page 127	Receptacle	Double nut (EA)	<b>JBXEA2G07MCSDS</b>	<b>JBXEA2G07FCSDS</b>
		Rear mount (EP)	<b>JBXEP2G07MCSDS</b>	<b>JBXEP2G07FCSDS</b>
		Front mount (ER)	<b>JBXER2G07MCSDSR</b>	<b>JBXER2G07FCSDSR</b>
		In line cable (PC) *	<b>JBXPC2G07MCSDSR</b>	<b>JBXPC2G07FCSDSR</b>
		Rear mount cable (SA) *	<b>JBXSA2G07MCSDS</b>	<b>JBXSA2G07FCSDS</b>
	Plug	Right angle plug (FC) *	<b>JBXFC2G07MCSDSR</b>	<b>JBXFC2G07FCSDSR</b>
		Straight plug (FD) *	<b>JBXFD2G07MCSDSR</b>	<b>JBXFD2G07FCSDSR</b>
Straight PCB contacts see page 127	Receptacle	Double nut (EA)	<b>JBXEA2G07MPSDS</b>	<b>JBXEA2G07FPSDS</b>
		Rear mount (EP)	<b>JBXEP2G07MPSDS</b>	<b>JBXEP2G07FPSDS</b>
		Front mount (ER)	<b>JBXER2G07MPSDSR</b>	<b>JBXER2G07FPSDSR</b>

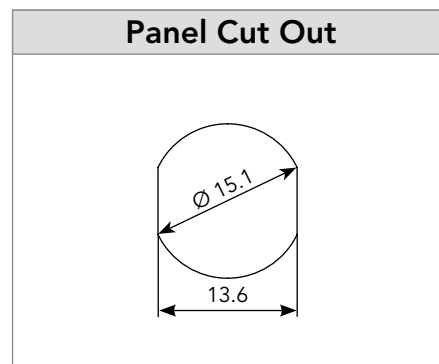
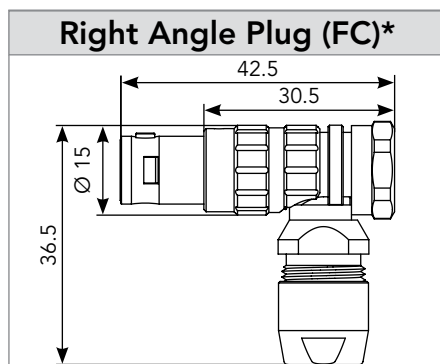
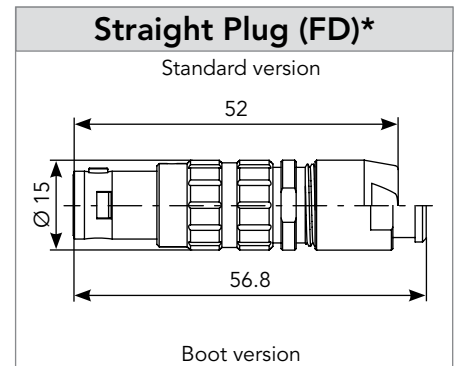
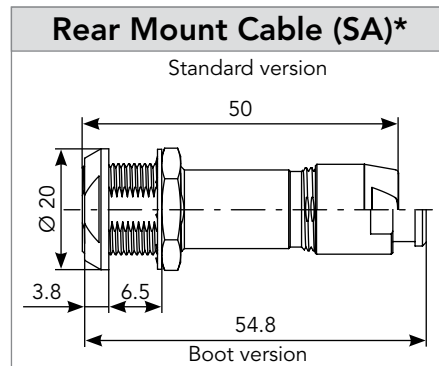
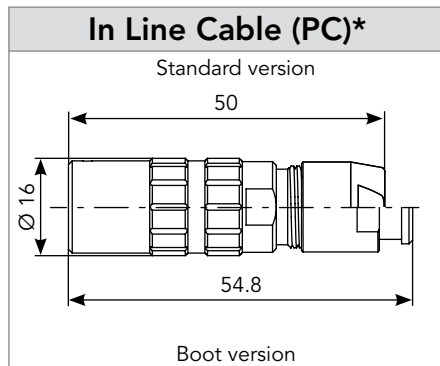
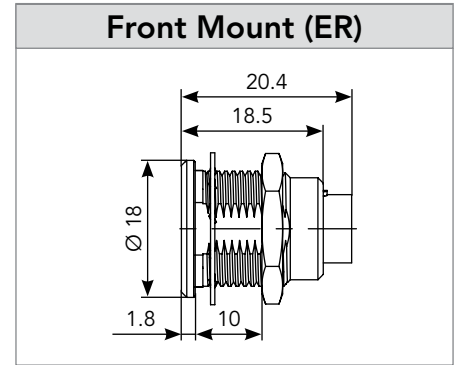
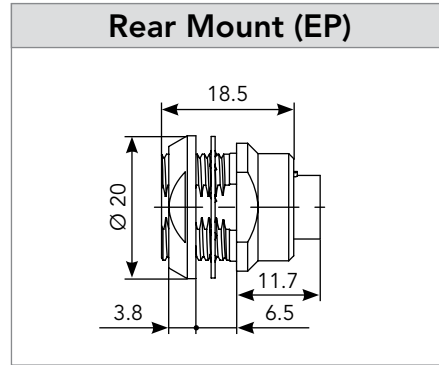
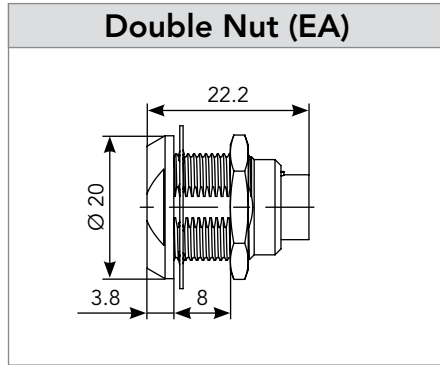
\* In order to get the back nut for protective boot please add «M» after the last «S». Example: JBX Straight Plug, size 2, 7 solder contacts, male insert = JBXFD2G07MSSDSMR.   : First choice  
The protective boot need to be ordered separately, see page accessories.

(1): In order to get a black Chrome over Nickel please replace «S» before the «D» by one «N». Example: JBX Straight Plug, size 2, 7 solder contacts, male insert = JBXFD2G07MSNDSR.



**JBX2-07 - IP40** (7 x Ø 1.3 mm) - See waterproof IP68 version page 124

**Dimensions** (For mated connector lengths see page 127)



Note: all dimensions are in mm

**JBX2-07 - IP68** (7 x Ø 1.3 mm) - See non sealed IP40 version page 122



**Connector Part Number**

Contact type	Connector type	Description	Part number <sup>(1)</sup>	
			Male insert	Female insert
Solder contacts see page 127	Receptacle	Double nut, front or rear mount (EC)	<b>JBXEC2G07MSSDS</b>	<b>JBXEC2G07FSSDS</b>
		Front mount extended (HH) ☁	<b>JBXHH2G07MSSDSR</b>	<b>JBXHH2G07FSSDSR</b>
	Plug	Straight plug (FH) *	<b>JBXFH2G07MSSDSR</b>	<b>JBXFH2G07FSSDSR</b>
Crimp contacts see page 127	Receptacle	Double nut, front or rear mount (EC)	<b>JBXEC2G07MCSDS</b>	<b>JBXEC2G07FCSDS</b>
		Front mount extended (HH)	<b>JBXHH2G07MCSDSR</b>	<b>JBXHH2G07FCSDSR</b>
	Plug	Straight plug (FH) *	<b>JBXFH2G07MCSDSR</b>	<b>JBXFH2G07FCSDSR</b>
Straight PCB contacts see page 127	Receptacle	Double nut, front or rear mount (EC)	<b>JBXEC2G07MPSDS</b>	<b>JBXEC2G07FPSDS</b>

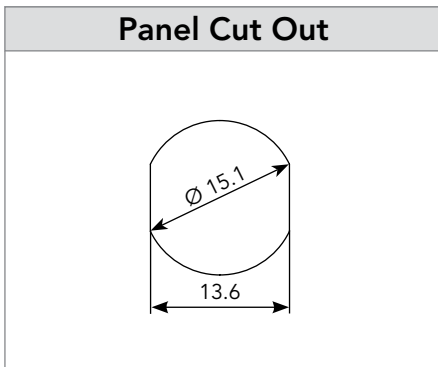
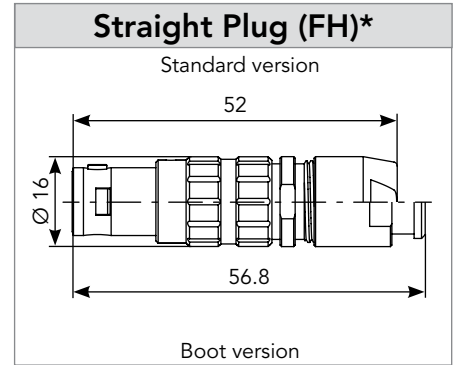
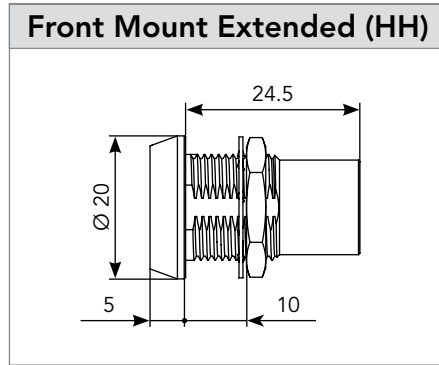
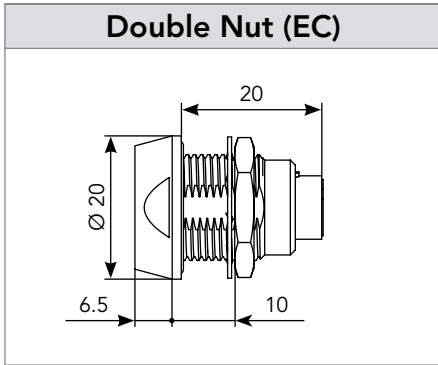
\* In order to get the back nut for protective boot please add «M» after the last «S». Example: JBX Straight Plug, size 2, 7 solder contacts, male insert = JBXFH2G07MSSDSMR. The protective boot need to be ordered separately, see page accessories.

1: In order to get a black Chrome over Nickel please replace «S» before the «D» by one «N». Example: JBX Straight Plug, size 2, 7 solder contacts, male insert = JBXFH2G07MSNDSR.

☁ : Sealed in Unmated Condition

**JBX2-07 - IP68** (7 x Ø 1.3 mm) - See non sealed IP40 version page 122

**Dimensions** (For mated connector lengths see page 127)



## JBX2-07 - IP40 & IP68 (7 x Ø 1.3 mm)

### Accessories

**Receptacle Dust Cap**




Part number
<b>JBXBR2</b>

**Plug Dust Cap**




Part number
<b>JBXBF2</b>

**Grounding Washer**



Part number
<b>JAXRA2252</b>

**Insulating Washer**



Part number	Color
<b>JBX2RIA</b>	Blue
<b>JBX2RIB</b>	White
<b>JBX2RIG</b>	Grey
<b>JBX2RIJ</b>	Yellow
<b>JBX2RIM</b>	Brown
<b>JBX2RIN</b>	Black
<b>JBX2RIR</b>	Red
<b>JBX2RIV</b>	Green
<b>JBX2RIO</b>	Orange

Note : Insulating washers are not compatible with the IP68 versions

**Protective Boot**

Available only for PC - FC - FD - SA, FH, with back nut protective boot 



Part number	Color
<b>JBX2MPA</b>	Blue
<b>JBX2MPB</b>	White
<b>JBX2MPG</b>	Grey
<b>JBX2MPJ</b>	Yellow
<b>JBX2MPM</b>	Brown
<b>JBX2MPN</b>	Black
<b>JBX2MPR</b>	Red
<b>JBX2MPV</b>	Green
<b>JBX2MPO</b>	Orange

The overall length is 25 mm longer with the protective boot.  
Note: The protective boot is not a sealing element.


### Tooling

**Crimp Tooling**



Part number
<b>MIL-22520/7-01</b>

**Locator**



Part number	
Male	Female
<b>JBX20UTLP13</b>	<b>JBX20UTLS13</b>

**Extraction Tool**



Part number
<b>JBXOUTDC13</b>

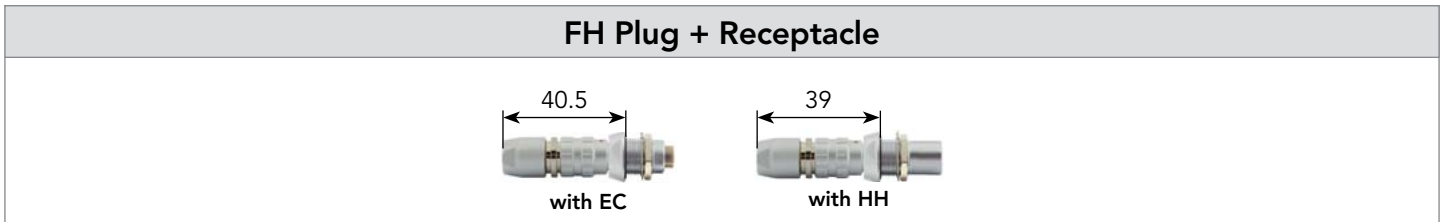
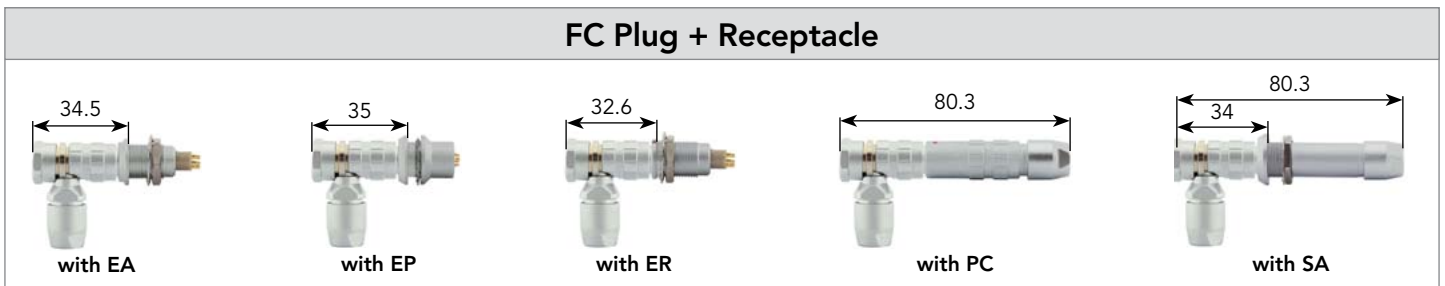
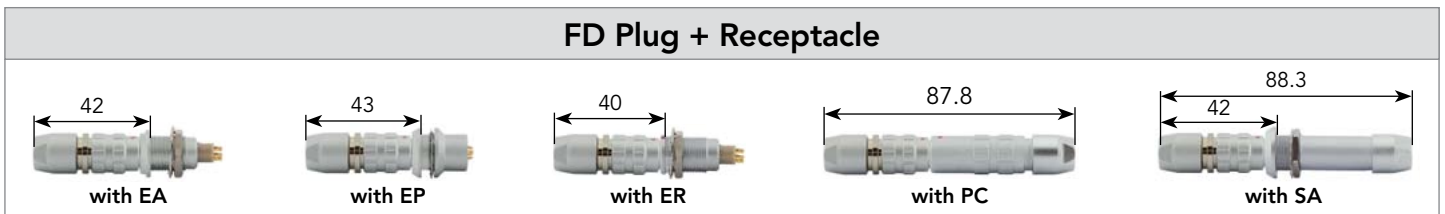
## JBX2-07 - IP40 & IP68 (7 x Ø 1.3 mm)

### Contacts

Ø 1.3 mm	Contact type	Plating	Contact locking type	AWG
Solder	Machined	0.5 µm gold over 3 to 5 µm Ni	Removable	20
Crimp	Machined	0.5 µm gold over 3 to 5 µm Ni	Removable	18 - 20 - 22
Straight PCB	Machined	0.5 µm gold over 3 to 5 µm Ni	Fixed	-

For more information see pages 231 to 233

### Mated Connector Length



Electrical Characteristics
<p><b>UL</b> 11A 730V UL94 V-0</p>

Note: all dimensions are in mm

**JBX3-07 - IP40 (7 x Ø 1.6 mm)**



**Connector Part Number**

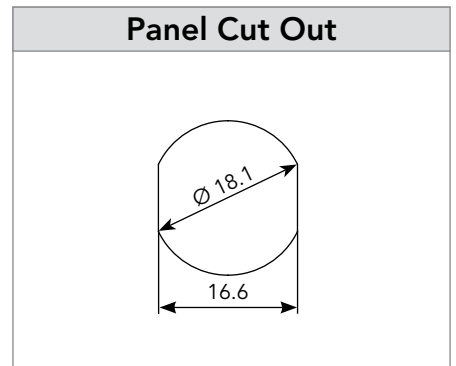
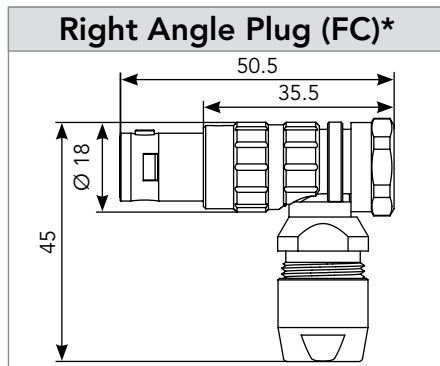
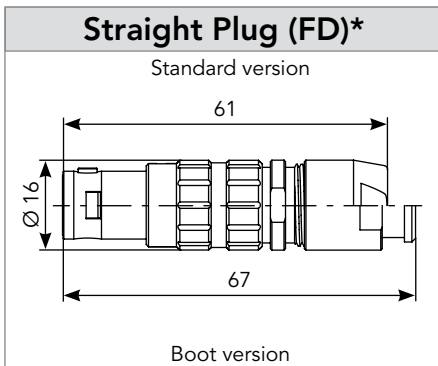
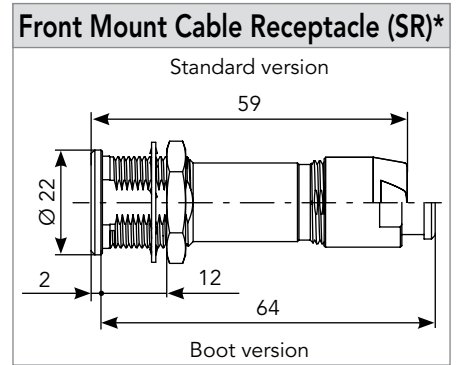
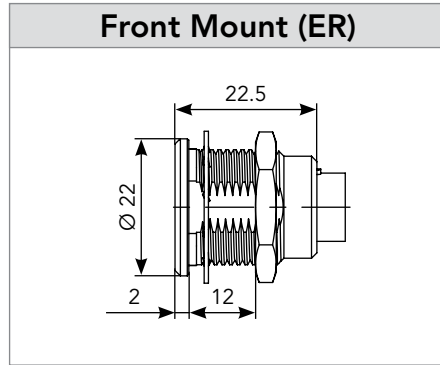
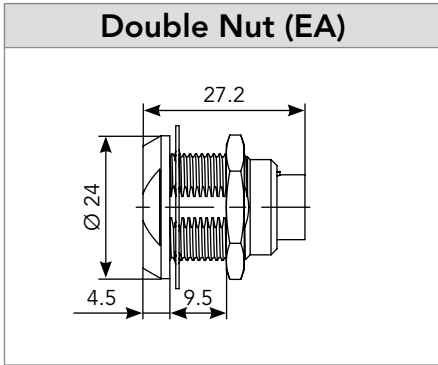
Contact type	Connector type	Description	Part number <sup>(1)</sup>	
			Male insert	Female insert
Solder contacts see page 131	Receptacle	Double nut (EA)	<b>JBXEA3G07MSSDS</b>	<b>JBXEA3G07FSSDS</b>
		Front mount (ER)	<b>JBXER3G07MSSDSR</b>	<b>JBXER3G07FSSDSR</b>
		Front mount cable (SR) *	<b>JBXSR3G07MSSDSR</b>	<b>JBXSR3G07FSSDSR</b>
	Plug	Straight plug (FD) *	<b>JBXFD3G07MSSDSR</b>	<b>JBXFD3G07FSSDSR</b>
Crimp contacts see page 131	Receptacle	Double nut (EA)	<b>JBXEA3G07MCSDS</b>	<b>JBXEA3G07FCSDS</b>
		Front mount (ER)	<b>JBXER3G07MCSDSR</b>	<b>JBXER3G07FCSDSR</b>
	Plug	Right angle plug (FC) *	<b>JBXFC3G07MCSDSR</b>	<b>JBXFC3G07FCSDSR</b>
		Straight plug (FD) *	<b>JBXFD3G07MCSDSR</b>	<b>JBXFD3G07FCSDSR</b>

\* In order to get the back nut for protective boot please add «M» after the last «S». Example: JBX Straight Plug, size 3, 7 solder contacts, male insert = JBXFD3G07MSSDSMR.   : First choice  
The protective boot need to be ordered separately, see page accessories.

1: In order to get a black Chrome over Nickel please replace «S» before the «D» by one «N». Example: JBX Straight Plug, size 3, 7 solder contacts, male insert = JBXFD3G07MSNDSR.

**JBX3-07 - IP40** (7 x Ø 1.6 mm)

**Dimensions** (For mated connector lengths see page 131)



Note: all dimensions are in mm

**JBX3-07 - IP40 (7 x Ø 1.6 mm)**

**Accessories**

**Receptacle Dust Cap**




Part number
<b>JBXBR3</b>

**Plug Dust Cap**




Part number
<b>JBXBF3</b>

**Grounding Washer**



Part number
<b>JAXRA3252</b>

**Insulating Washer**



Part number	Color
<b>JBX3RIA</b>	Blue
<b>JBX3RIB</b>	White
<b>JBX3RIG</b>	Grey
<b>JBX3RIJ</b>	Yellow
<b>JBX3RIM</b>	Brown
<b>JBX3RIN</b>	Black
<b>JBX3RIR</b>	Red
<b>JBX3RIV</b>	Green
<b>JBX3RIO</b>	Orange

Note : Insulating washers are not compatible with the IP68 versions

**Protective Boot**

Available only for FC - FD - SR, with back nut protective boot 



Part number	Color
<b>JBX3MPA</b>	Blue
<b>JBX3MPB</b>	White
<b>JBX3MPG</b>	Grey
<b>JBX3MPJ</b>	Yellow
<b>JBX3MPM</b>	Brown
<b>JBX3MPN</b>	Black
<b>JBX3MPR</b>	Red
<b>JBX3MPV</b>	Green
<b>JBX3MPO</b>	Orange

The overall length is 28.5 mm longer with the protective boot.

Note: The protective boot is not a sealing element.


**Tooling**

**Crimp Tooling**




Part number
<b>MIL-22520/1-01</b>

**Locator**



Part number
<b>JBX3OUTLP16</b>

**Extraction Tool**



Part number
<b>JBXOUTDC16</b>




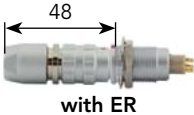
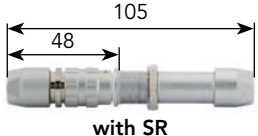


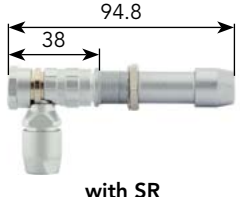
**JBX3-07 - IP40** (7 x Ø 1.6 mm)

**Contacts**

Ø 1.6 mm	Contact type	Plating	Contact locking type	AWG
Solder	Machined	0.5 µm gold over 3 to 5 µm Ni	Removable	18
Crimp	Machined	0.5 µm gold over 3 to 5 µm Ni	Removable	14 - 16 - 18

For more information see pages 231 and 232

**Mated Connector Length**

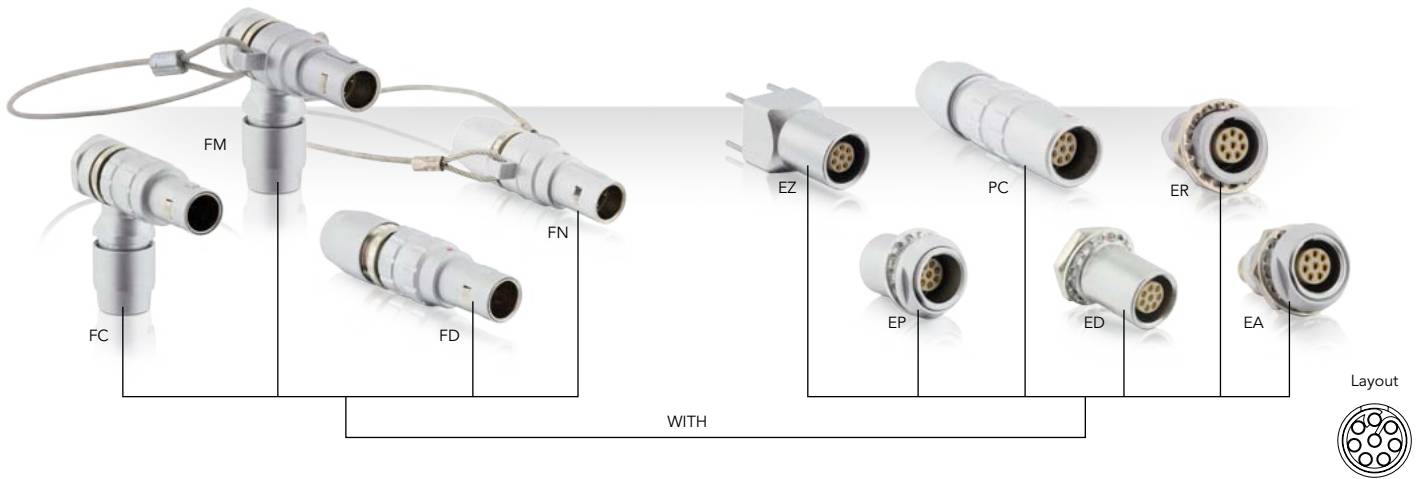
FD Plug + Receptacle		
 <p>50.8 with EA</p>	 <p>48 with ER</p>	 <p>105 48 with SR</p>
FC Plug + Receptacle		
 <p>40.8 with EA</p>	 <p>38 with ER</p>	 <p>94.8 38 with SR</p>

Connector

Electrical Characteristics
<p><b>UL</b> 15A 1,000V UL94 V-0</p>

Note: all dimensions are in mm

**JBX0-08 - IP40 (8 x Ø 0.5mm) - See waterproof IP68 version page 134**



**Connector Part Number**

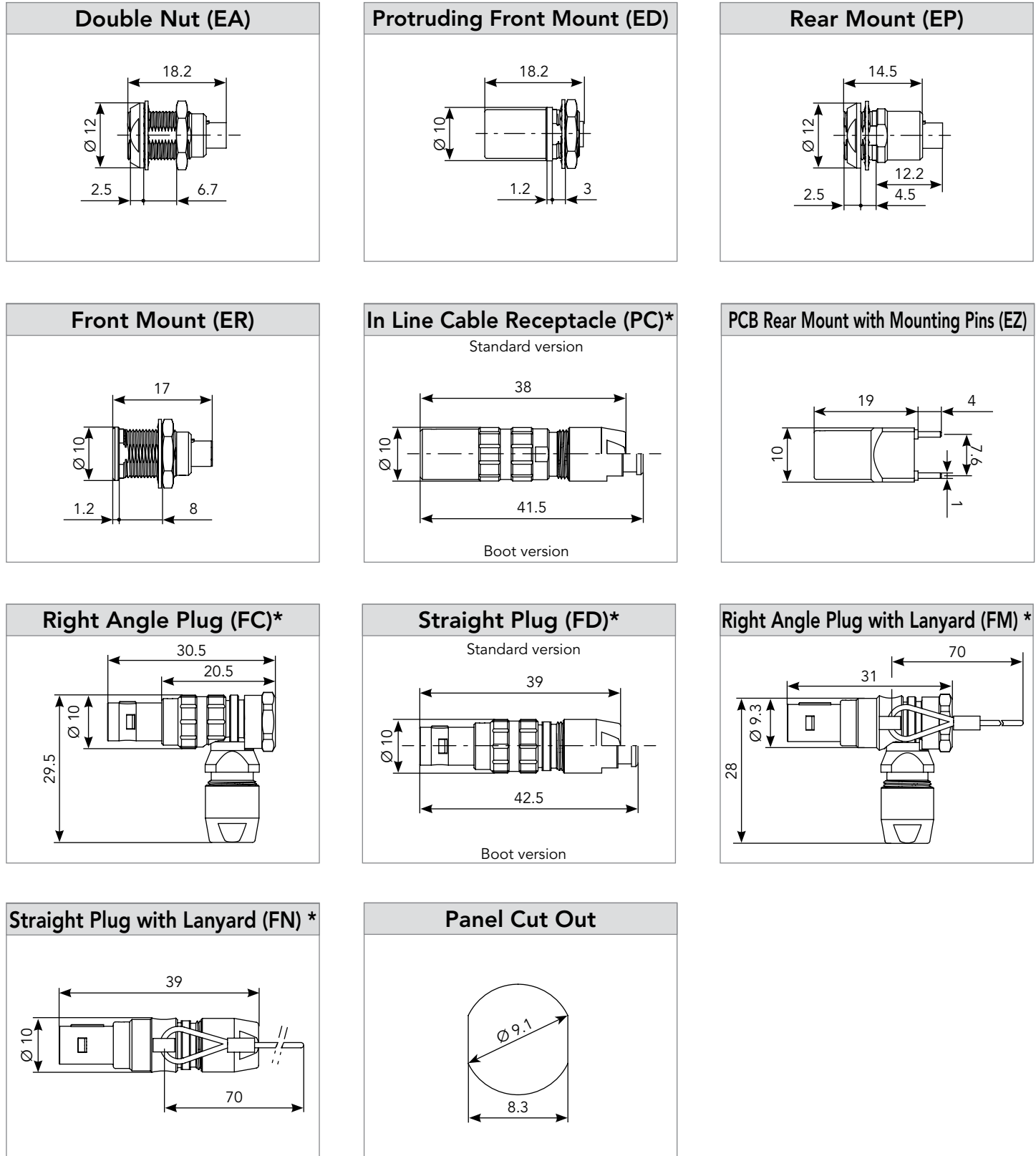
Contact type	Connector type	Description	Part number <sup>(1)</sup>	
			Male insert	Female insert
Solder contacts see page 137	Receptacle	Double nut (EA)	<b>JBXEA0G08MSSDS</b>	<b>JBXEA0G08FSSDS</b>
		Protruding front mount (ED)	<b>JBXED0G08MSSDSR</b>	<b>JBXED0G08FSSDSR</b>
		Rear mount (EP)	<b>JBXEP0G08MSSDS</b>	<b>JBXEP0G08FSSDS</b>
		Front mount (ER)	<b>JBXER0G08MSSDSR</b>	<b>JBXER0G08FSSDSR</b>
		In line cable (PC) *	<b>JBXPC0G08MSSDSR</b>	<b>JBXPC0G08FSSDSR</b>
	Plug	Right angle plug (FC) *	<b>JBXFC0G08MSSDSR</b>	<b>JBXFC0G08FSSDSR</b>
		Straight plug (FD) *	<b>JBXFD0G08MSSDSR</b>	<b>JBXFD0G08FSSDSR</b>
		Right Angle plug with lanyard (FM) *	<b>JBXFM0G08MSSDSR</b>	<b>JBXFM0G08FSSDSR</b>
Straight PCB contacts see page 137	Receptacle	Straight plug with lanyard (FN) *	<b>JBXFN0G08MSSDSR</b>	<b>JBXFN0G08FSSDSR</b>
		Double nut (EA)	<b>JBXEA0G08MPSDS</b>	<b>JBXEA0G08FPSDS</b>
		Rear mount (EP)	<b>JBXEP0G08MPSDS</b>	<b>JBXEP0G08FPSDS</b>
		PCB rear mount with mounting pins (EZ)	<b>JBXEZ0G08MPSDSR</b>	<b>JBXEZ0G08FPSDSR</b>

\* In order to get the back nut for protective boot please add «M» after the last «S». Example: JBX Straight Plug, size 0, 8 solder contacts, male insert = JBXFD0G08MSSDSMR.   : First choice  
The protective boot need to be ordered separately, see page accessories.

(1): In order to get a black Chrome over Nickel please replace «S» before the «D» by one «N». Example: JBX Straight Plug, size 0, 8 solder contacts, male insert = JBXFD0G08MSNDSR.

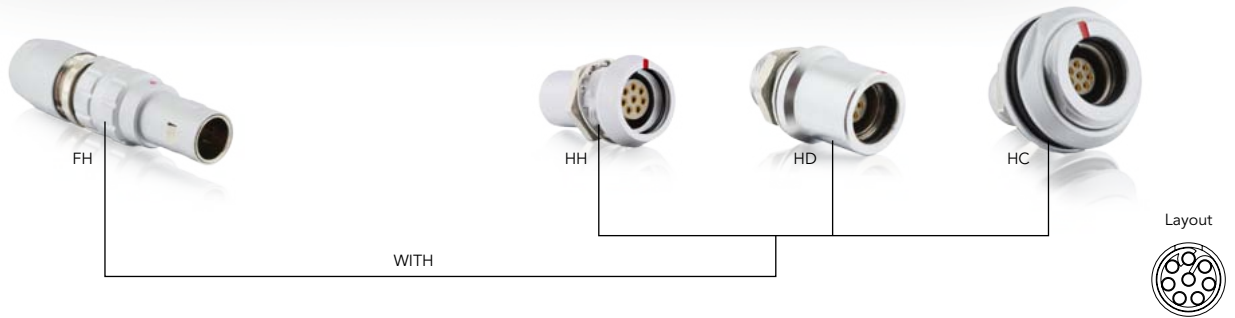
**JBX0-08 - IP40** (8 x Ø 0.5mm) - See waterproof IP68 version page 134

**Dimensions** (For mated connector lengths see page 137)



Note: all dimensions are in mm

**JBX0-08 - IP68** (8 x Ø 0.5mm) - See non sealed IP40 version page 132



**Connector Part Number**

Contact type	Connector type	Description	Part number <sup>(1)</sup>	
			Male insert	Female insert
Solder contacts see page 137	Receptacle	Rear mount (HC) ☁	<b>JBXHC0G08MSSDSR</b>	<b>JBXHC0G08FSSDSR</b>
		Protruding front mount (HD) ☁	<b>JBXHD0G08MSSDSR</b>	<b>JBXHD0G08FSSDSR</b>
		Front mount extended (HH) ☁	<b>JBXHH0G08MSSDSR</b>	<b>JBXHH0G08FSSDSR</b>
	Plug	Straight plug (FH) *	<b>JBXFH0G08MSSDSR</b>	<b>JBXFH0G08FSSDSR</b>
Straight PCB contacts see page 137	Receptacle	Rear mount (HC) ☁	<b>JBXHC0G08MPSDSR</b>	<b>JBXHC0G08FPSDSR</b>

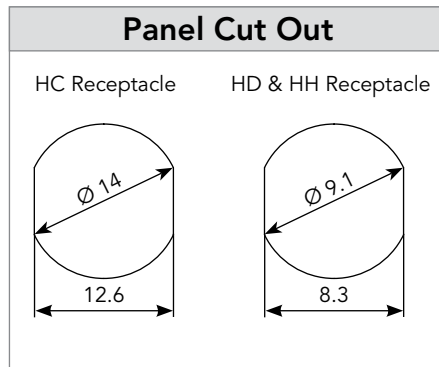
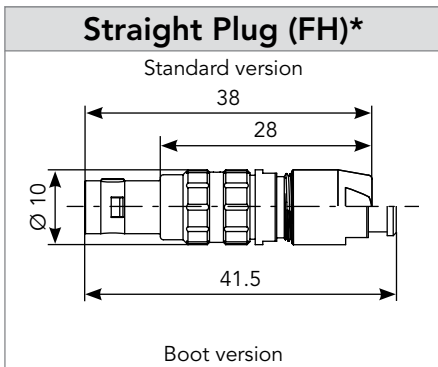
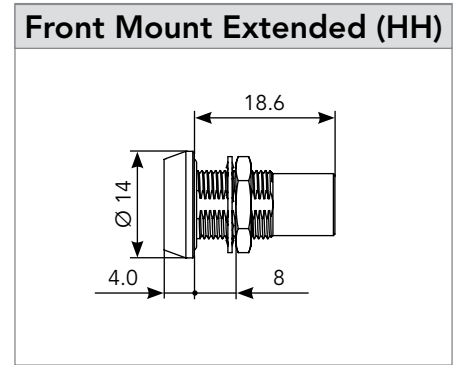
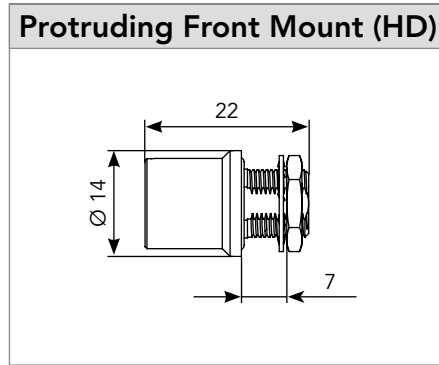
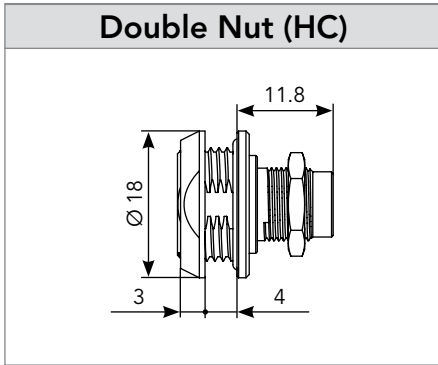
\* In order to get the back nut for protective boot please add «M» after the last «S». Example: JBX Straight Plug, size 0, 8 solder contacts, male insert = JBXFH0G08MSSDSMR.   : First choice  
 The protective boot need to be ordered separately, see page accessories.

1: In order to get a black Chrome over Nickel please replace «S» before the «D» by one «N». Example: JBX Straight Plug, size 0, 8 solder contacts, male insert = JBXFH0G08MSNDSR.

☁ : Sealed in Unmated Condition

**JBX0-08 - IP68** (8 x Ø 0.5mm) - See non sealed IP40 version page 132

**Dimensions** (For mated connector lengths see page 137)



Note: all dimensions are in mm

**JBX0-08 - IP40 & IP68 (8 x Ø 0.5mm)**

**Accessories**

**Receptacle Dust Cap**




Part number
<b>JBXBRØ</b>

**Plug Dust Cap**




Part number
<b>JBXBFØ</b>

**Grounding Washer**



Part number
<b>JAXRAØ251</b>

**Insulating Washer**



Part number	Color
<b>JBXØRIA</b>	Blue
<b>JBXØRIB</b>	White
<b>JBXØRIG</b>	Grey
<b>JBXØRIJ</b>	Yellow
<b>JBXØRIM</b>	Brown
<b>JBXØRIN</b>	Black
<b>JBXØRIR</b>	Red
<b>JBXØRIV</b>	Green
<b>JBXØRIO</b>	Orange

Note : Insulating washers are not compatible with the IP68 versions

**Protective Boot**

Available only for PC - FC - FD - FM - FN - FH, with back nut protective boot 



Part number	Color
<b>JBXØMPA</b>	Blue
<b>JBXØMPB</b>	White
<b>JBXØMPG</b>	Grey
<b>JBXØMPJ</b>	Yellow
<b>JBXØMPM</b>	Brown
<b>JBXØMPN</b>	Black
<b>JBXØMPR</b>	Red
<b>JBXØMPV</b>	Green
<b>JBXØMPO</b>	Orange

The overall length is 17 mm longer with the protective boot.  
Note: The protective boot is not a sealing element.

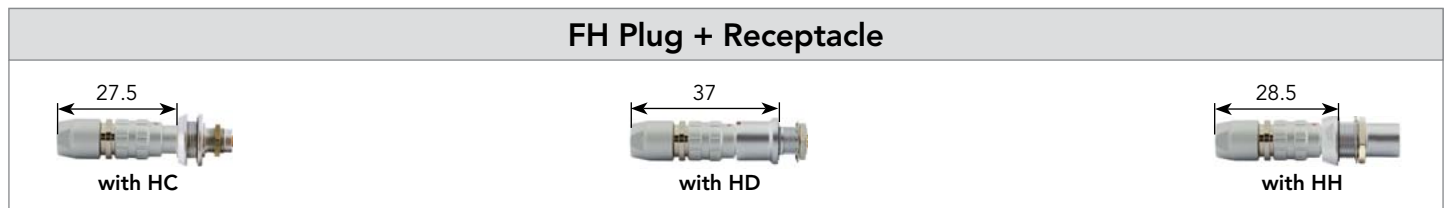
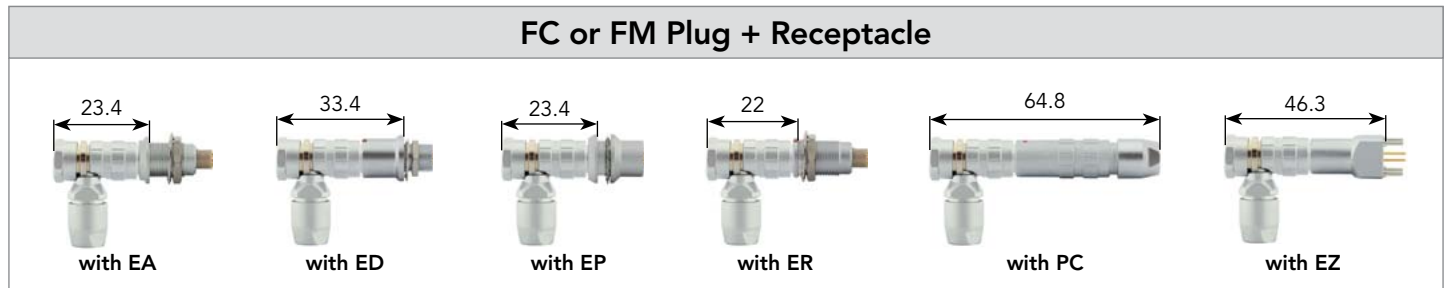
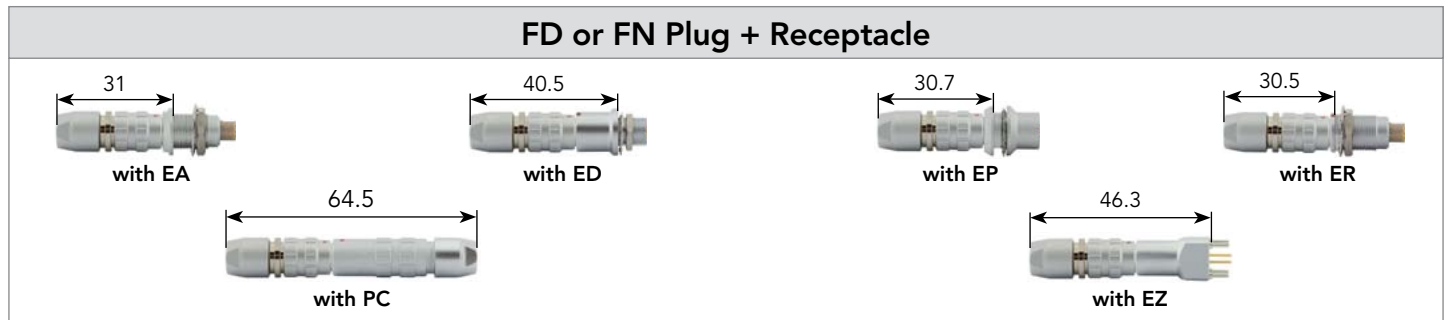
## JBX0-08 - IP40 & IP68 (8 x Ø 0.5mm)

### Contacts

Ø 0.5 mm	Contact type	Plating	Contact locking type	AWG - Wire max.
Solder	Machined	0.5 µm gold over 3 to 5 µm Ni	Fixed	28
Straight PCB	Machined	0.5 µm gold over 3 to 5 µm Ni	Fixed	-

For more information see pages 231 and 233

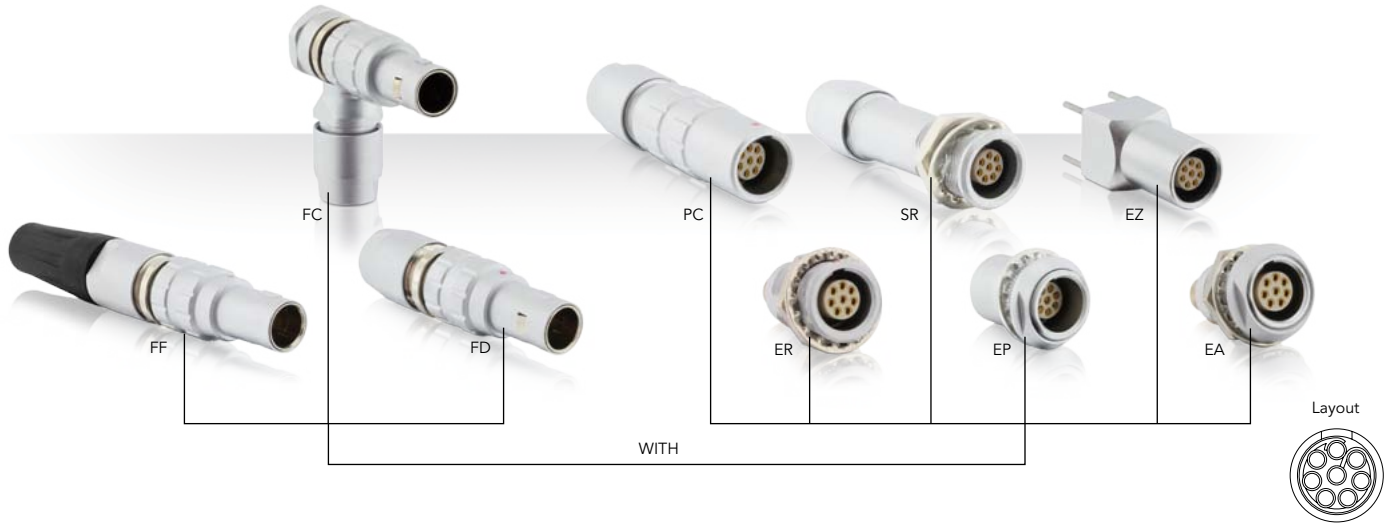
### Mated Connector Length



Electrical Characteristics
<p><b>UL</b> 2A 190V UL94 V-0</p>

Note: all dimensions are in mm

**JBX1-08 - IP40 (8 x Ø 0.7mm)**



**Connector Part Number**

Contact type	Connector type	Description	Part number <sup>(1)</sup>	
			Male insert	Female insert
Solder contacts see page 141	Receptacle	Double nut (EA)	<b>JBXEA1G08MSSDS</b>	<b>JBXEA1G08FSSDS</b>
		Rear mount (EP)	<b>JBXEP1G08MSSDS</b>	<b>JBXEP1G08FSSDS</b>
		Front mount (ER)	<b>JBXER1G08MSSDSR</b>	<b>JBXER1G08FSSDSR</b>
		In line cable (PC) *	<b>JBXPC1G08MSSDSR</b>	<b>JBXPC1G08FSSDSR</b>
		Front mount cable (SR) *	<b>JBXSR1G08MSSDSR</b>	<b>JBXSR1G08FSSDSR</b>
	Plug	Straight plug (FD) *	<b>JBXFD1G08MSSDSR</b>	<b>JBXFD1G08FSSDSR</b>
Straight plug no latch (FF) with black protective boot		<b>JBXFF1G08MSSDSR</b>	<b>JBXFF1G08FSSDSR</b>	
Crimp contacts see page 141	Receptacle	Double nut (EA)	<b>JBXEA1G08MCSDS</b>	<b>JBXEA1G08FCSDS</b>
		Front mount (ER)	<b>JBXER1G08MCSDSR</b>	<b>JBXER1G08FCSDSR</b>
		In line cable (PC) *	<b>JBXPC1G08MCSDSR</b>	<b>JBXPC1G08FCSDSR</b>
	Plug	Right angle plug (FC) *	<b>JBXFC1G08MCSDSR</b>	<b>JBXFC1G08FCSDSR</b>
		Straight plug (FD) *	<b>JBXFD1G08MCSDSR</b>	<b>JBXFD1G08FCSDSR</b>
Straight PCB contacts see page 141	Receptacle	Double nut (EA)	<b>JBXEA1G08MPSDS</b>	<b>JBXEA1G08FPSDS</b>
		Front mount (ER)	<b>JBXER1G08MPSDSR</b>	<b>JBXER1G08FPSDSR</b>
		PCB rear mount with mounting pins (EZ)	<b>JBXEZ1G08MPSDSR</b>	<b>JBXEZ1G08FPSDSR</b>
90° PCB contacts see page 141	Receptacle	Double nut (EA)	-	<b>JBXEA1G08FQSDS</b>
		Rear mount (EP)	-	<b>JBXEP1G08FQSDS</b>

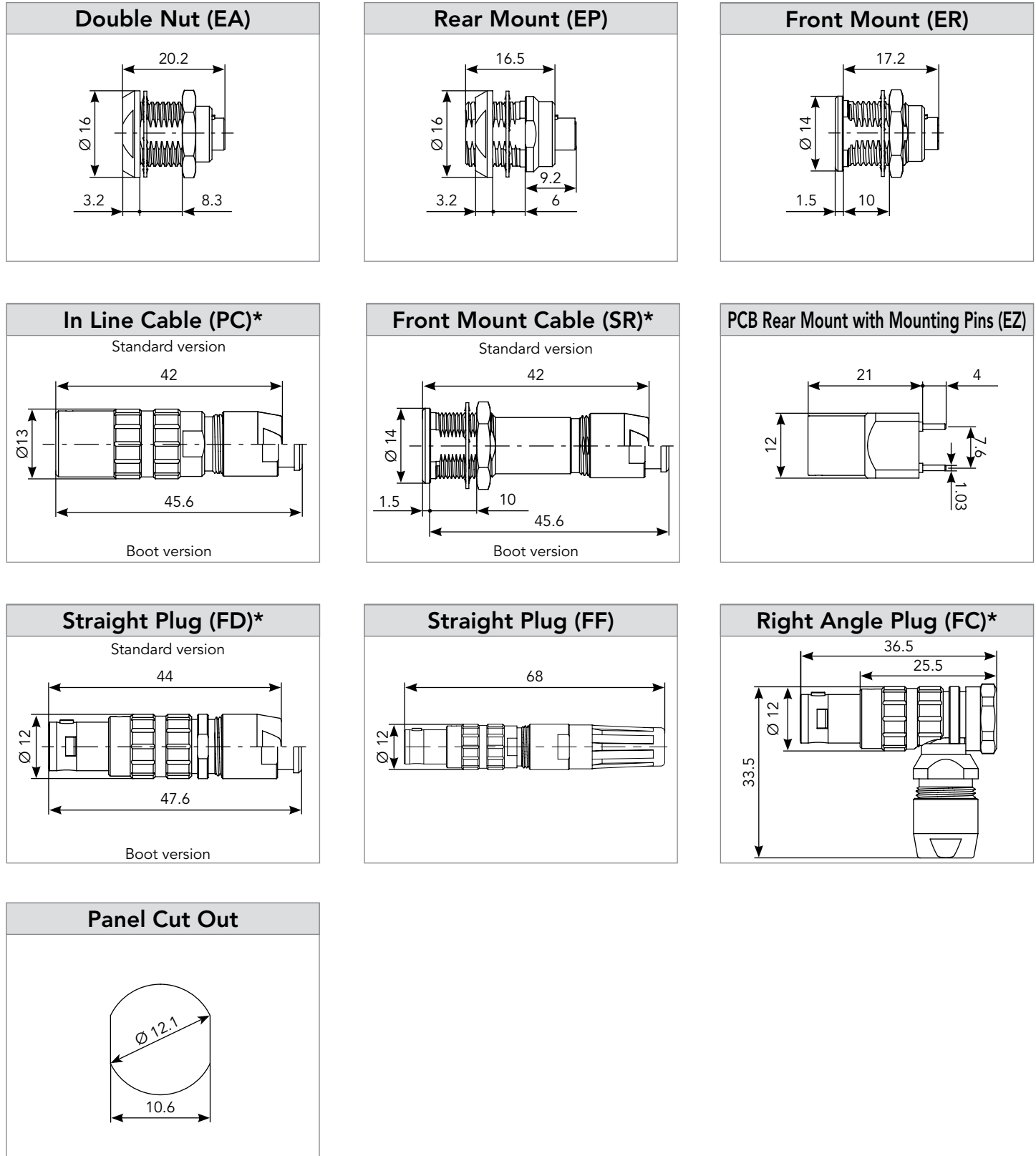
\* In order to get the back nut for protective boot please add «M» after the last «S». Example: JBX Straight Plug, size 1, 8 solder contacts, male insert = JBXFD1G08MSSDSMR.   : First choice  
The protective boot need to be ordered separately, see page accessories.

(1): In order to get a black Chrome over Nickel please replace «S» before the «D» by one «N». Example: JBX Straight Plug, size 1, 8 solder contacts, male insert = JBXFD1G08MSNDSR.



**JBX1-08 - IP40** (8 x Ø 0.7mm)

**Dimensions** (For mated connector lengths see page 141)



Note: all dimensions are in mm

**JBX1-08 - IP40** (8 x Ø 0.7mm)

**Receptacle Dust Cap**




Part number
<b>JBXBR1</b>

**Plug Dust Cap**




Part number
<b>JBXBF1</b>

**Grounding Washer**



Part number
<b>JAXRA1251</b>


**Insulating Washer**




Part number	Color
<b>JBX1RIA</b>	Blue
<b>JBX1RIB</b>	White
<b>JBX1RIG</b>	Grey
<b>JBX1RIJ</b>	Yellow
<b>JBX1RIM</b>	Brown
<b>JBX1RIN</b>	Black
<b>JBX1RIR</b>	Red
<b>JBX1RIV</b>	Green
<b>JBX1RIO</b>	Orange

Note : Insulating washers are not compatible with the IP68 versions

**Protective Boot**

Available only for PC - FC - FD - SR, with back nut protective boot 



Part number	Color
<b>JBX1MPA</b>	Blue
<b>JBX1MPB</b>	White
<b>JBX1MPG</b>	Grey
<b>JBX1MPJ</b>	Yellow
<b>JBX1MPM</b>	Brown
<b>JBX1MPN</b>	Black
<b>JBX1MPR</b>	Red
<b>JBX1MPV</b>	Green
<b>JBX1MPO</b>	Orange

The overall length is 21 mm longer with the protective boot.  
Note: The protective boot is not a sealing element.


**Tooling**

**Crimp Tooling**



Part number
<b>MIL-22520/7-01</b>

**Locator**



Part number	
Male	Female
<b>JBX10UTLP07</b>	<b>JBX10UTLS07</b>

**Extraction Tool**



Part number
<b>JBXOUTDC07</b>

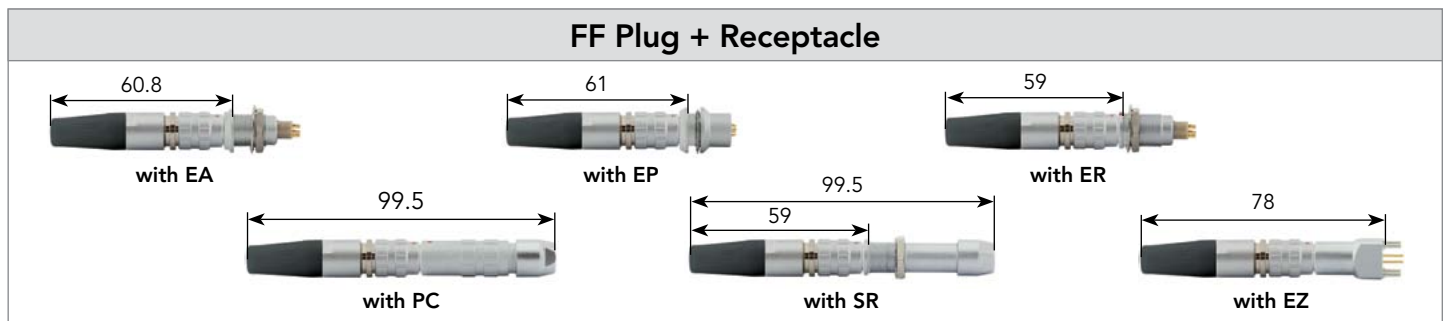
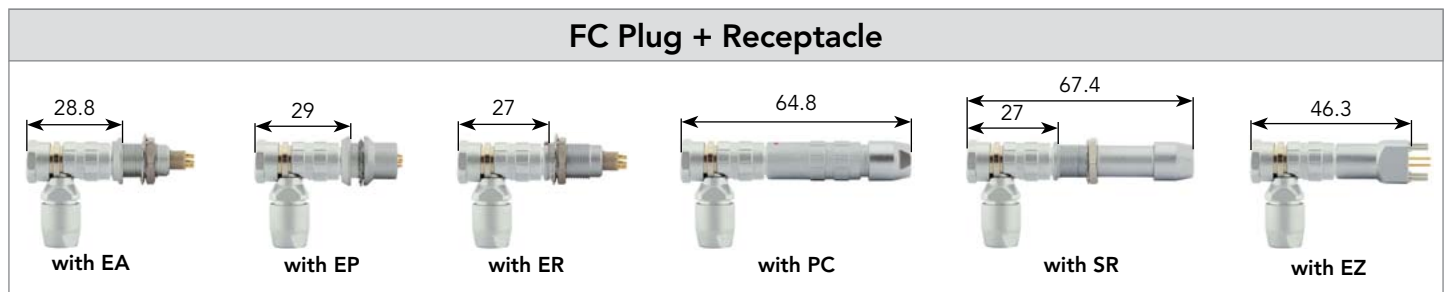
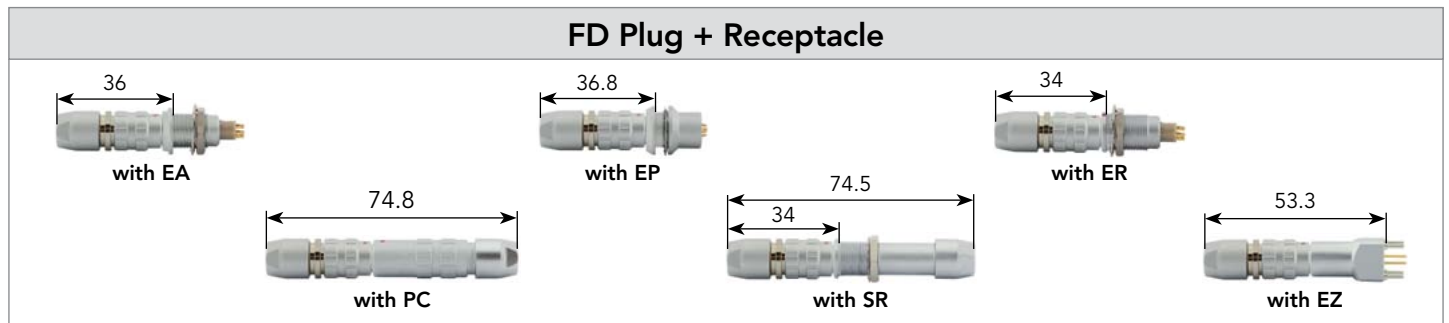
**JBX1-08 - IP40** (8 x Ø 0.7mm)

**Contacts**

Ø 0.7 mm	Contact type	Plating	Contact locking type	AWG
Solder	Machined	0.5 µm gold over 3 to 5 µm Ni	Fixed	22
Crimp	Machined	0.5 µm gold over 3 to 5 µm Ni	Removable	22 - 24 - 26
Straight PCB	Machined	0.5 µm gold over 3 to 5 µm Ni	Fixed	-
90° PCB	Machined	0.5 µm gold over 3 to 5 µm Ni	Removable	-

For more information see pages 231 to 234

**Mated Connector Length**

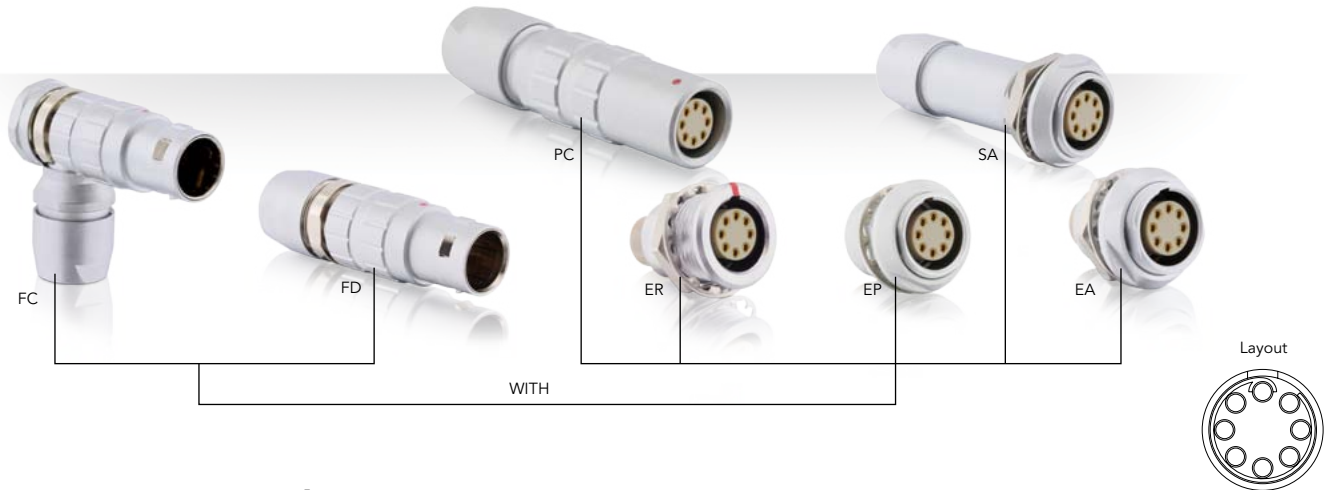


**Electrical Characteristics**

**UL**  
5A 600V UL94 V-0

Note: all dimensions are in mm

**JBX2-08 - IP40 (8 x Ø 0.9 mm) - See waterproof IP68 version page 144**



**Connector Part Number**

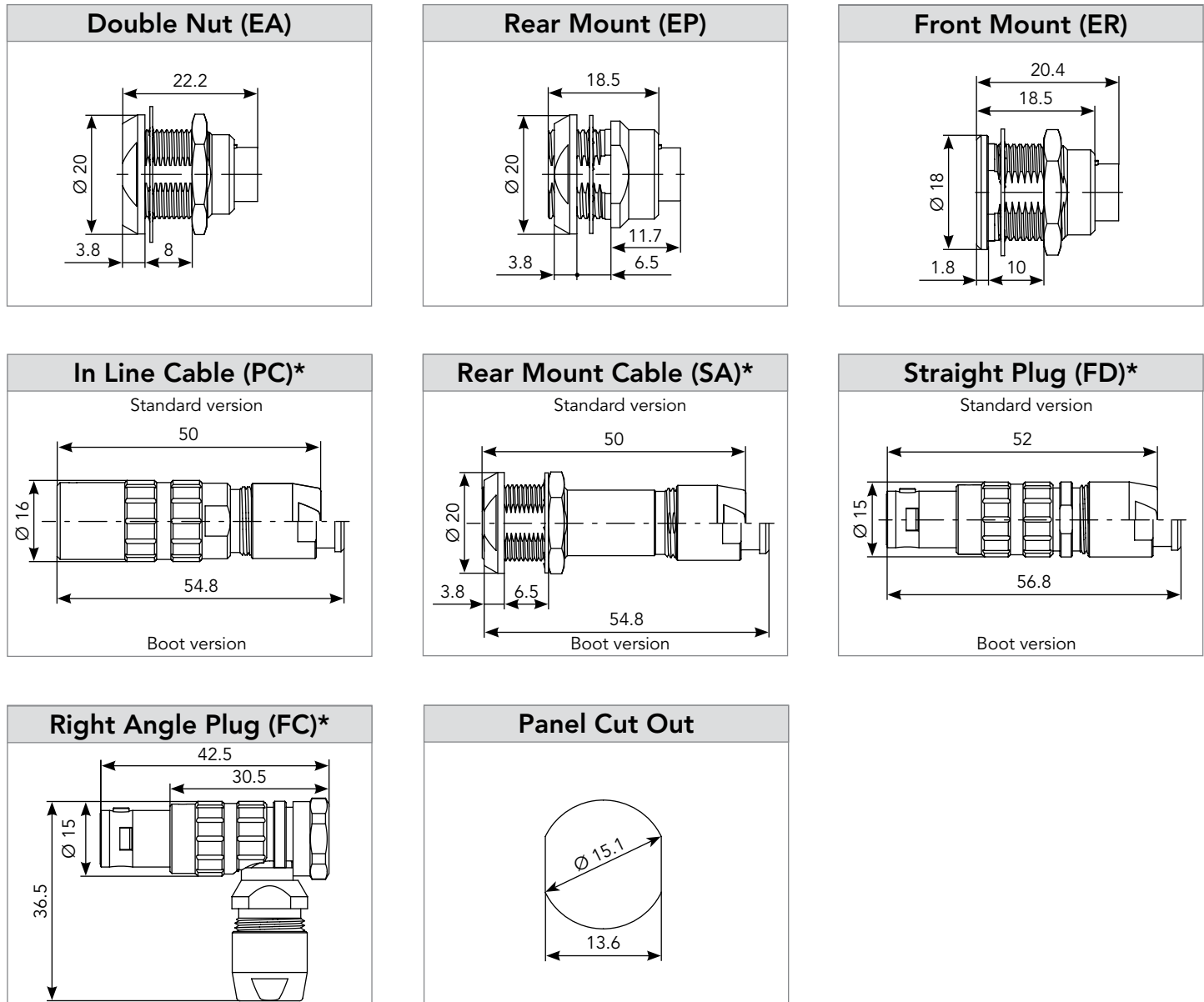
Contact type	Connector type	Description	Part number <sup>(1)</sup>	
			Male insert	Female insert
Solder contacts see page 147	Receptacle	Double nut (EA)	<b>JBXEA2G08MSSDS</b>	<b>JBXEA2G08FSSDS</b>
		Rear mount (EP)	<b>JBXEP2G08MSSDS</b>	<b>JBXEP2G08FSSDS</b>
		Front mount (ER)	<b>JBXER2G08MSSDSR</b>	<b>JBXER2G08FSSDSR</b>
		In line cable (PC) *	<b>JBXPC2G08MSSDSR</b>	<b>JBXPC2G08FSSDSR</b>
	Plug	Straight plug (FD) *	<b>JBXFD2G08MSSDSR</b>	<b>JBXFD2G08FSSDSR</b>
Crimp contacts see page 147	Receptacle	Double nut (EA)	<b>JBXEA2G08MCSDS</b>	<b>JBXEA2G08FCSDS</b>
		Rear mount (EP)	<b>JBXEP2G08MCSDS</b>	<b>JBXEP2G08FCSDS</b>
		Front mount (ER)	<b>JBXER2G08MCSDSR</b>	<b>JBXER2G08FCSDSR</b>
		In line cable (PC) *	<b>JBXPC2G08MCSDSR</b>	<b>JBXPC2G08FCSDSR</b>
		Rear mount cable (SA) *	<b>JBXSA2G08MCSDS</b>	<b>JBXSA2G08FCSDS</b>
	Plug	Right angle plug (FC) *	<b>JBXFC2G08MCSDSR</b>	<b>JBXFC2G08FCSDSR</b>
		Straight plug (FD) *	<b>JBXFD2G08MCSDSR</b>	<b>JBXFD2G08FCSDSR</b>
Straight PCB contacts see page 147	Receptacle	Double nut (EA)	-	<b>JBXEA2G08FPSDS</b>
		Rear mount (EP)	-	<b>JBXEP2G08FPSDS</b>
		Front mount (ER)	-	<b>JBXER2G08FPSDSR</b>
90° PCB contacts see page 147	Receptacle	Double nut (EA)	-	<b>JBXEA2G08FQSDS</b>
		Rear mount (EP)	-	<b>JBXEP2G08FQSDS</b>

\* In order to get the back nut for protective boot please add «M» after the last «S». Example: JBX Straight Plug, size 2, 8 solder contacts, male insert = JBXFD2G08MSSDSMR. ■ : First choice  
The protective boot need to be ordered separately, see page accessories.

(1): In order to get a black Chrome over Nickel please replace «S» before the «D» by one «N». Example: JBX Straight Plug, size 2, 8 solder contacts, male insert = JBXFD2G08MSNDSR.

**JBX2-08 - IP40** (8 x Ø 0.9 mm) - See waterproof IP68 version page 144

**Dimensions** (For mated connector lengths see page 147)



Note: all dimensions are in mm

**JBX2-08 - IP68** (7 x Ø 0.9 mm) - See non sealed IP40 version page 142



**Connector Part Number**

Contact type	Connector type	Description	Part number <sup>(1)</sup>	
			Male insert	Female insert
Solder contacts see page 147	Receptacle	Double nut, front or rear mount (EC)	<b>JBXEC2G08MSSDS</b>	<b>JBXEC2G08FSSDS</b>
		Front mount extended (HH) ☁	<b>JBXHH2G08MSSDSR</b>	<b>JBXHH2G08FSSDSR</b>
	Plug	Straight plug (FH) *	<b>JBXFH2G08MSSDSR</b>	<b>JBXFH2G08FSSDSR</b>
Crimp contacts see page 147	Receptacle	Double nut, front or rear mount (EC)	<b>JBXEC2G08MCSDS</b>	<b>JBXEC2G08FCSDS</b>
		Front mount extended (HH)	<b>JBXHH2G08MCSDSR</b>	<b>JBXHH2G08FCSDSR</b>
	Plug	Straight plug (FH) *	<b>JBXFH2G08MCSDSR</b>	<b>JBXFH2G08FCSDSR</b>
Straight PCB contacts see page 147	Receptacle	Double nut, front or rear mount (EC)	-	<b>JBXEC2G08FPSDS</b>

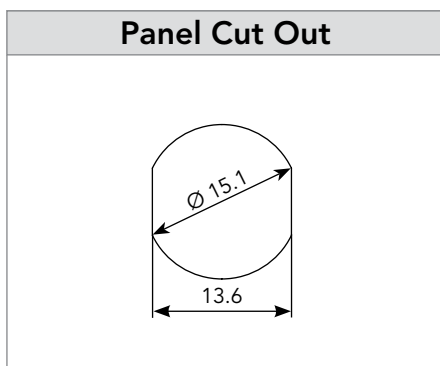
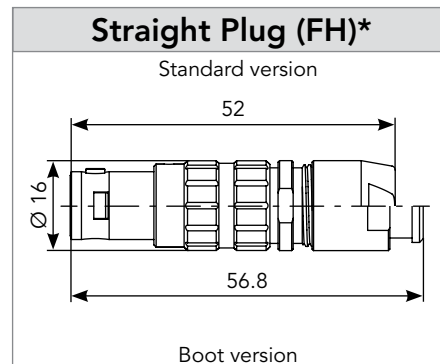
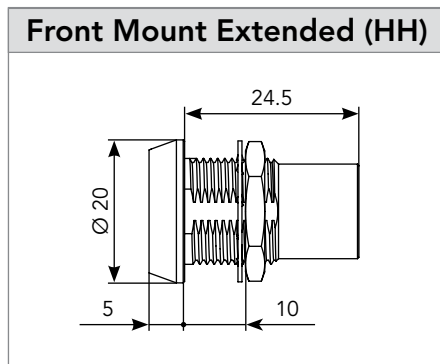
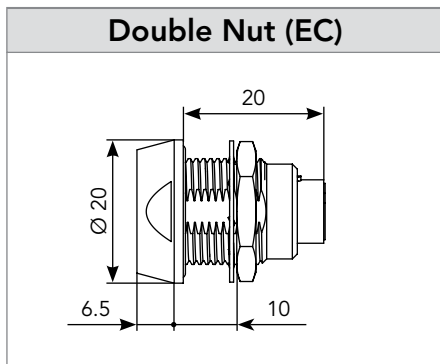
\* In order to get the back nut for protective boot please add «M» after the last «S». Example: JBX Straight Plug, size 2, 8 solder contacts, male insert = JBXFH2G08MSSDSMR. The protective boot need to be ordered separately, see page accessories.

1: In order to get a black Chrome over Nickel please replace «S» before the «D» by one «N». Example: JBX Straight Plug, size 2, 8 solder contacts, male insert = JBXFH2G08MSNDSR.

☁ : Sealed in Unmated Condition

**JBX2-08 - IP68** (7 x Ø 0.9 mm) - See non sealed IP40 version page 142

**Dimensions** (For mated connector lengths see page 147)



## JBX2-08 - IP40 & IP68 (8 x Ø 0.9 mm)

### Accessories

**Receptacle Dust Cap**




Part number
<b>JBXBR2</b>

**Plug Dust Cap**




Part number
<b>JBXBF2</b>

**Grounding Washer**



Part number
<b>JAXRA2252</b>

**Insulating Washer**



Part number	Color
<b>JBX2RIA</b>	Blue
<b>JBX2RIB</b>	White
<b>JBX2RIG</b>	Grey
<b>JBX2RIJ</b>	Yellow
<b>JBX2RIM</b>	Brown
<b>JBX2RIN</b>	Black
<b>JBX2RIR</b>	Red
<b>JBX2RIV</b>	Green
<b>JBX2RIO</b>	Orange

Note : Insulating washers are not compatible with the IP68 versions

**Protective Boot**

Available only for PC - FC - FD - SA, FH, with back nut protective boot 



Part number	Color
<b>JBX2MPA</b>	Blue
<b>JBX2MPB</b>	White
<b>JBX2MPG</b>	Grey
<b>JBX2MPJ</b>	Yellow
<b>JBX2MPM</b>	Brown
<b>JBX2MPN</b>	Black
<b>JBX2MPR</b>	Red
<b>JBX2MPV</b>	Green
<b>JBX2MPO</b>	Orange

The overall length is 25 mm longer with the protective boot.  
Note: The protective boot is not a sealing element.


### Tooling

**Crimp Tooling**



Part number
<b>MIL-22520/7-01</b>

**Locator**



Part number	
Male	Female
<b>JBX2OUTLP09</b>	<b>JBX2OUTLS09</b>

**Extraction Tool**



Part number
<b>JBXOUTDC09</b>



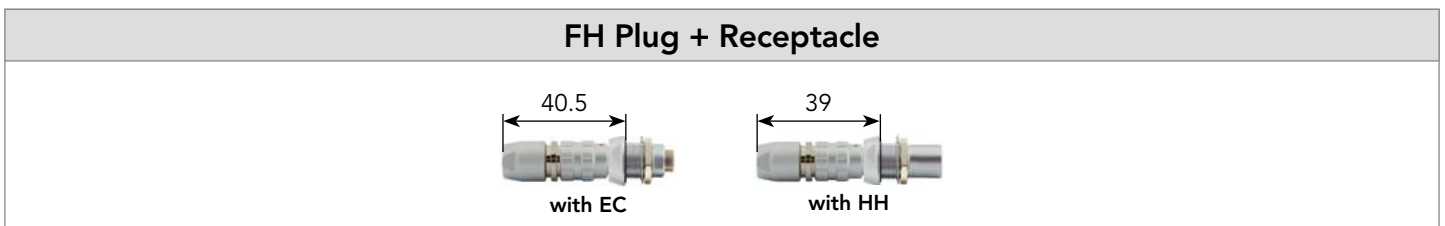
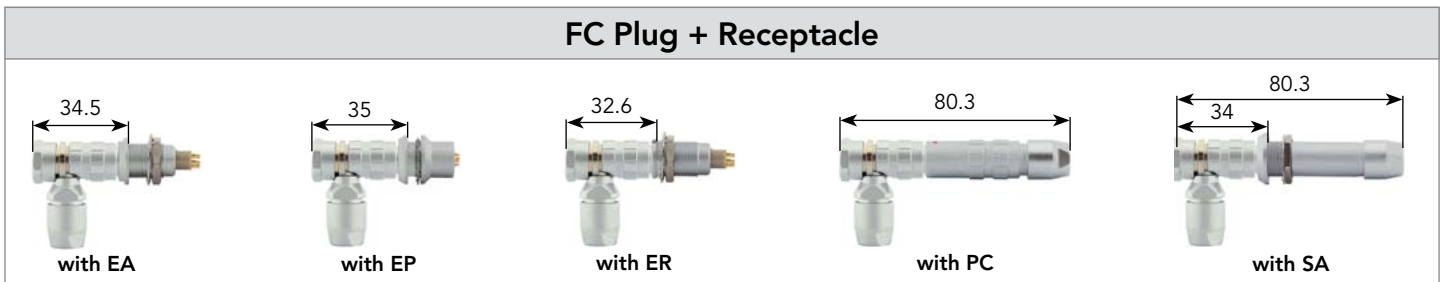
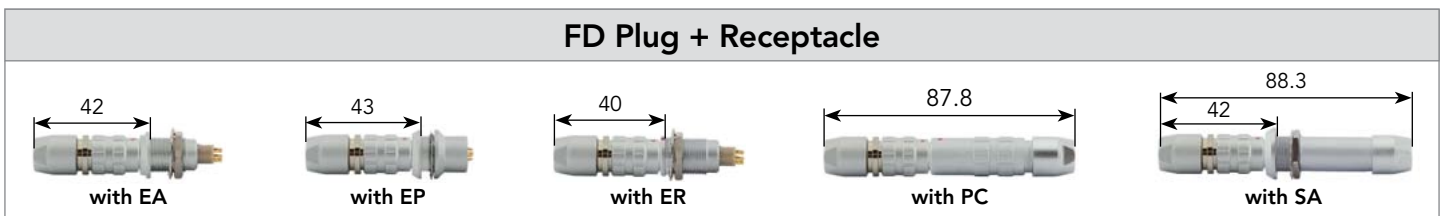
## JBX2-08 - IP40 & IP68 (8 x Ø 0.9 mm)

### Contacts

Ø 0.9 mm	Contact type	Plating	Contact locking type	AWG
Solder	Machined	0.5 µm gold over 3 to 5 µm Ni	Removable	24
Crimp	Machined	0.5 µm gold over 3 to 5 µm Ni	Removable	20 - 22 - 24
Straight PCB	Machined	0.5 µm gold over 3 to 5 µm Ni	Fixed	-
90° PCB	Machined	0.5 µm gold over 3 to 5 µm Ni	Removable	-

For more information see pages 231 to 234

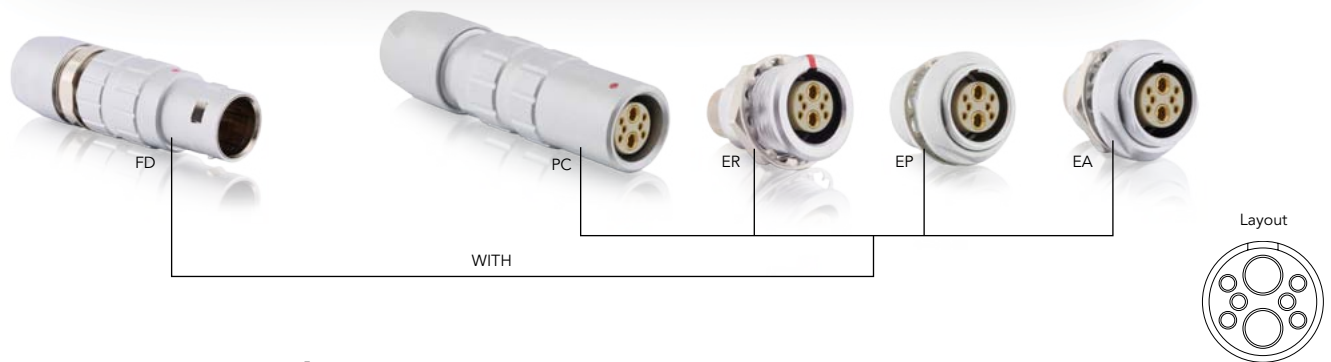
### Mated Connector Length



Electrical Characteristics
<p><b>UL</b> 10A 830V UL94 V-0</p>

Note: all dimensions are in mm

**JBX2-001 - IP40** (6 x Ø 0.7 mm + 2 x Ø 2.0 mm) - See waterproof IP68 version page 150



**Connector Part Number**

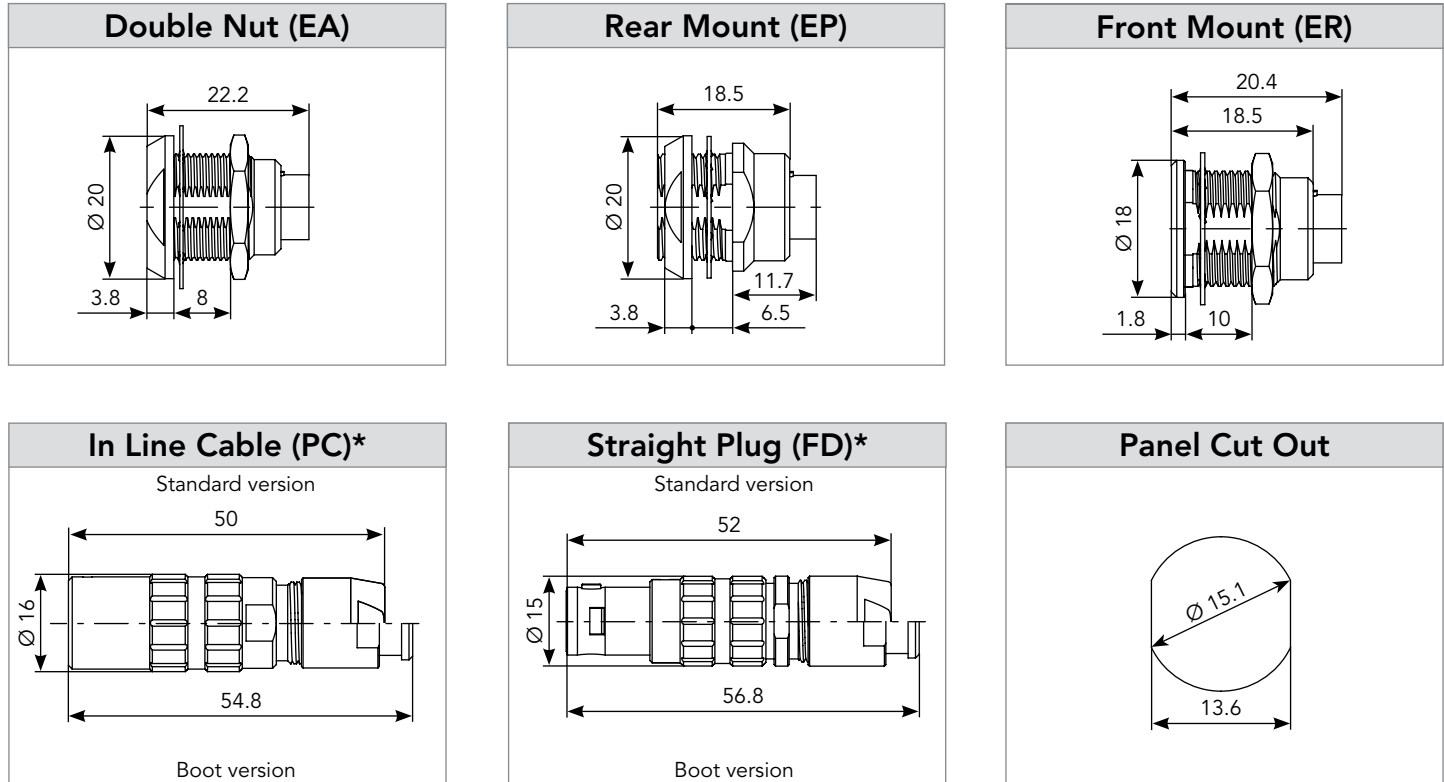
Contact type	Connector type	Description	Part number <sup>(1)</sup>	
			Male insert	Female insert
Solder contacts see page 153	Receptacle	Double nut (EA)	<b>JBXEA2G001MSSDS</b>	<b>JBXEA2G001FSSDS</b>
		Rear mount (EP)	<b>JBXEP2G001MSSDS</b>	<b>JBXEP2G001FSSDS</b>
		Front mount (ER)	<b>JBXER2G001MSSDSR</b>	<b>JBXER2G001FSSDSR</b>
		In line cable (PC) *	<b>JBXPC2G001MSSDSR</b>	<b>JBXPC2G001FSSDSR</b>
	Plug	Straight plug (FD) *	<b>JBXFD2G001MSSDSR</b>	<b>JBXFD2G001FSSDSR</b>

\* In order to get the back nut for protective boot please add «M» after the last «S». Example: JBX Straight Plug, size 2, 8 solder contacts, male insert = JBXFD2G001MSSDSMR. The protective boot need to be ordered separately, see page accessories.

(1): In order to get a black Chrome over Nickel please replace «S» before the «D» by one «N». Example: JBX Straight Plug, size 2, 8 solder contacts, male insert = JBXFD2G001MSNDSR.

**JBX2-001 - IP40** (6 x Ø 0.7 mm + 2 x Ø 2.0 mm) - See waterproof IP68 version page 150

**Dimensions** (For mated connector lengths see page 153)



**JBX2-001 - IP68** (6 x Ø 0.7 mm + 2 x Ø 2.0 mm) - See non sealed IP40 version page 148



**Connector Part Number**

Contact type	Connector type	Description	Part number <sup>(1)</sup>	
			Male insert	Female insert
Solder contacts see page 153	Receptacle	Double nut, front or rear mount (EC)	<b>JBXEC2G001MSSDS</b>	<b>JBXEC2G001FSSDS</b>
		Front mount extended (HH) ☁	<b>JBXHH2G001MSSDSR</b>	<b>JBXHH2G001FSSDSR</b>
	Plug	Straight plug (FH) *	<b>JBXFH2G001MSSDSR</b>	<b>JBXFH2G001FSSDSR</b>

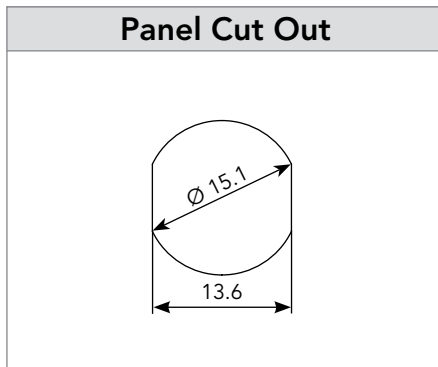
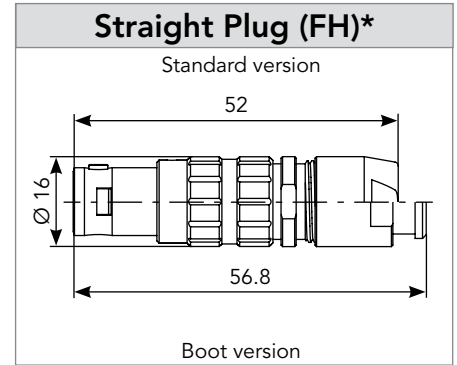
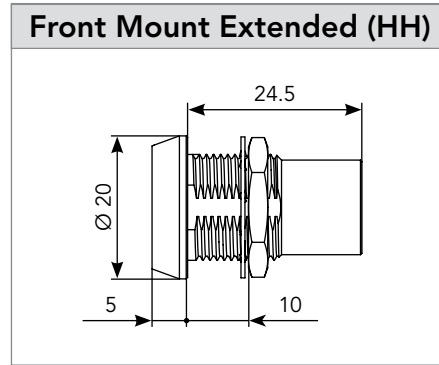
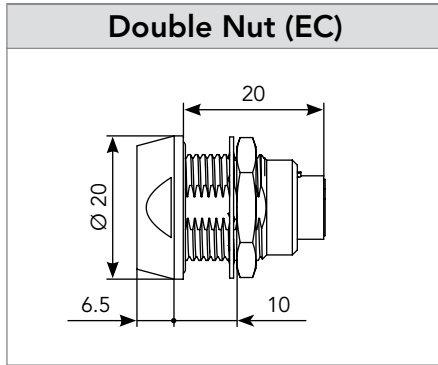
\* In order to get the back nut for protective boot please add «M» after the last «S». Example: JBX Straight Plug, size 2, 8 solder contacts, male insert = JBXFH2G001MSSDSMR. The protective boot need to be ordered separately, see page accessories.

1: In order to get a black Chrome over Nickel please replace «S» before the «D» by one «N». Example: JBX Straight Plug, size 2, 8 solder contacts, male insert = JBXFH2G001MSNDSR.

☁ : Sealed in Unmated Condition

**JBX2-001 - IP68** (6 x Ø 0.7 mm + 2 x Ø 2.0 mm) - See non sealed IP40 version page 148

**Dimensions** (For mated connector lengths see page 153)



Note: all dimensions are in mm

**JBX2-001 - IP40 & IP68** (6 x Ø 0.7 mm + 2 x Ø 2.0 mm)

**Accessories**

**Receptacle Dust Cap**




Part number
<b>JBXBR2</b>

**Plug Dust Cap**




Part number
<b>JBXBF2</b>

**Grounding Washer**



Part number
<b>JAXRA2252</b>

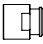
**Insulating Washer**



Part number	Color
<b>JBX2RIA</b>	Blue
<b>JBX2RIB</b>	White
<b>JBX2RIG</b>	Grey
<b>JBX2RIJ</b>	Yellow
<b>JBX2RIM</b>	Brown
<b>JBX2RIN</b>	Black
<b>JBX2RIR</b>	Red
<b>JBX2RIV</b>	Green
<b>JBX2RIO</b>	Orange

Note : Insulating washers are not compatible with the IP68 versions

**Protective Boot**

Available only for PC - FD , FH, with back nut protective boot 




Part number	Color
<b>JBX2MPA</b>	Blue
<b>JBX2MPB</b>	White
<b>JBX2MPG</b>	Grey
<b>JBX2MPJ</b>	Yellow
<b>JBX2MPM</b>	Brown
<b>JBX2MPN</b>	Black
<b>JBX2MPR</b>	Red
<b>JBX2MPV</b>	Green
<b>JBX2MPO</b>	Orange

The overall length is 25 mm longer with the protective boot.

Note: The protective boot is not a sealing element.

**Tooling**

**Extraction Tools**



Part number Ø 0.7
<b>JBXOUTDC07</b>

Contacts Ø 2.0
<b>JBXOUTDC20</b>

**JBX2-001 - IP40 & IP68** (6 x Ø 0.7 mm + 2 x Ø 2.0 mm)

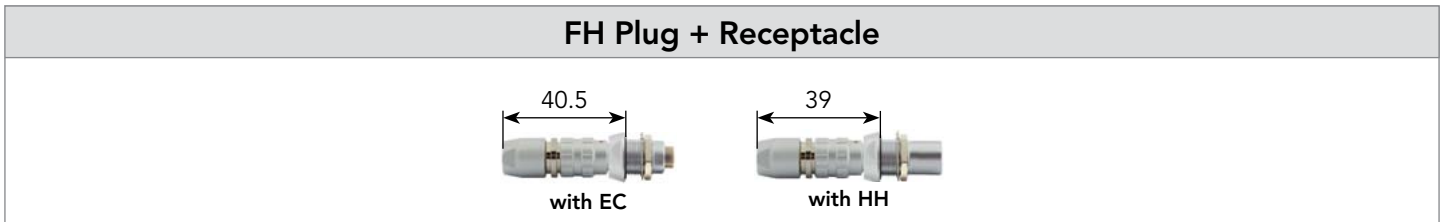
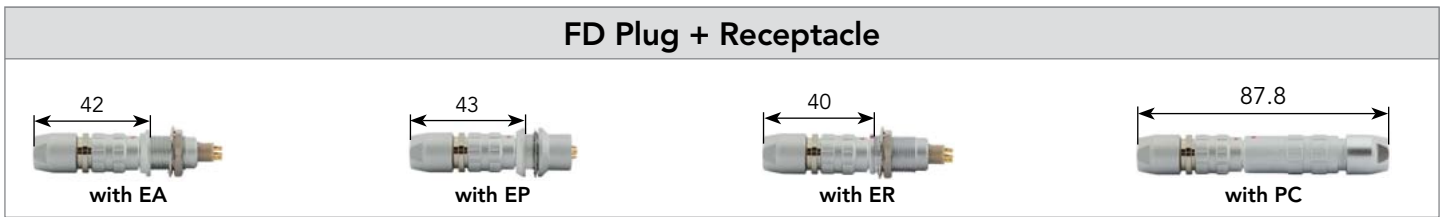
**Contacts**

Ø 0.7 mm	Contact type	Plating	Contact locking type	AWG - Wire max.
Solder	Machined	0.5 µm gold over 3 to 5 µm Ni	Removable	22

Ø 2.0 mm	Contact type	Plating	Contact locking type	AWG - Wire max.
Solder	Machined	0.5 µm gold over 3 to 5 µm Ni	Removable	16

For more information see page 231

**Mated Connector Length**



Connector

Electrical Characteristics
<p><b>UL</b> 26A 700V UL94 V-0</p>

Note: all dimensions are in mm

**JBX3-08 - IP40 (8 x Ø 1.3 mm)**



**Connector Part Number**

Contact type	Connector type	Description	Part number <sup>(1)</sup>	
			Male insert	Female insert
Solder contacts see page 157	Receptacle	Double nut (EA)	<b>JBXEA3G08MSSDS</b>	<b>JBXEA3G08FSSDS</b>
		Front mount (ER)	<b>JBXER3G08MSSDSR</b>	<b>JBXER3G08FSSDSR</b>
		Front mount cable (SR) *	<b>JBXSR3G08MSSDSR</b>	<b>JBXSR3G08FSSDSR</b>
	Plug	Straight plug (FD) *	<b>JBXFD3G08MSSDSR</b>	<b>JBXFD3G08FSSDSR</b>
Crimp contacts see page 157	Receptacle	Double nut (EA)	<b>JBXEA3G08MCSDS</b>	<b>JBXEA3G08FCSDS</b>
		Front mount (ER)	<b>JBXER3G08MCSDSR</b>	<b>JBXER3G08FCSDSR</b>
	Plug	Right angle plug (FC) *	<b>JBXFC3G08MCSDSR</b>	<b>JBXFC3G08FCSDSR</b>
		Straight plug (FD) *	<b>JBXFD3G08MCSDSR</b>	<b>JBXFD3G08FCSDSR</b>

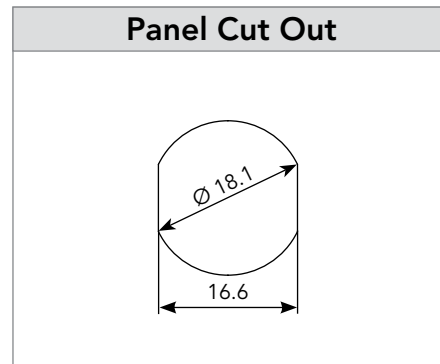
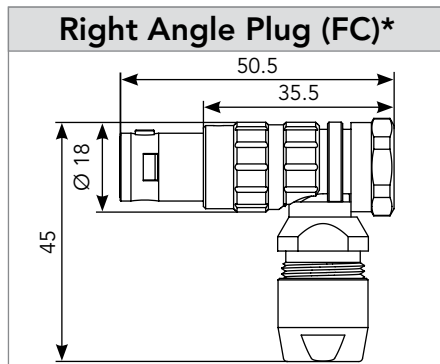
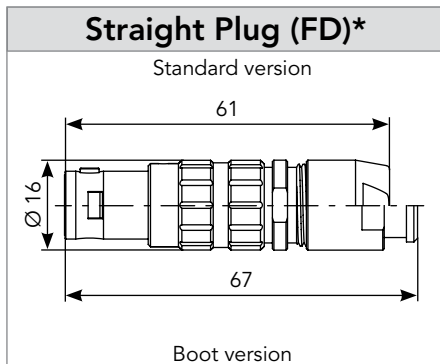
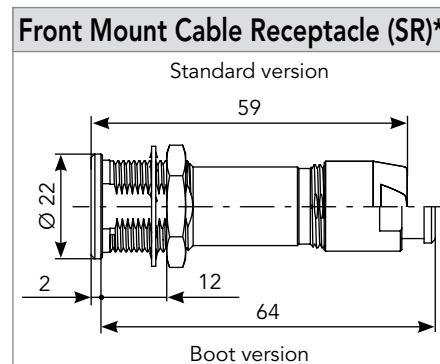
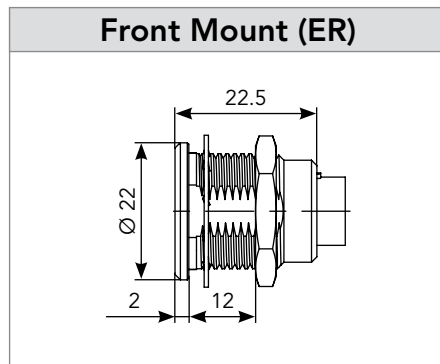
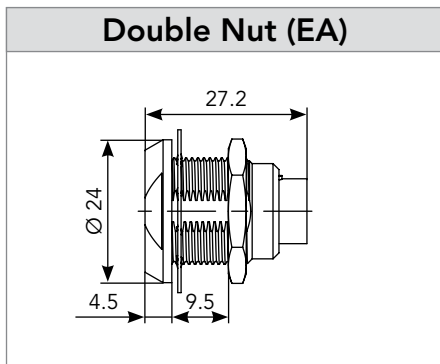
\* In order to get the back nut for protective boot please add «M» after the last «S». Example: JBX Straight Plug, size 3, 8 solder contacts, male insert = JBXFD3G08MSSDSMR. The protective boot need to be ordered separately, see page accessories.

1: In order to get a black Chrome over Nickel please replace «S» before the «D» by one «N». Example: JBX Straight Plug, size 3, 8 solder contacts, male insert = JBXFD3G08MSNDSR.



**JBX3-08 - IP40** (8 x Ø 1.3 mm)

**Dimensions** (For mated connector lengths see page 157)



**JBX3-08 - IP40** (8 x Ø 1.3 mm)

**Accessories**

**Receptacle Dust Cap**




Part number
JBXBR3

**Plug Dust Cap**




Part number
JBXBF3

**Grounding Washer**



Part number
JAXRA3252

**Insulating Washer**



Part number	Color
JBX3RIA	Blue
JBX3RIB	White
JBX3RIG	Grey
JBX3RIJ	Yellow
JBX3RIM	Brown
JBX3RIN	Black
JBX3RIR	Red
JBX3RIV	Green
JBX3RIO	Orange

Note : Insulating washers are not compatible with the IP68 versions

**Protective Boot**

Available only for FC - FD - SR, with back nut protective boot 



Part number	Color
JBX3MPA	Blue
JBX3MPB	White
JBX3MPG	Grey
JBX3MPJ	Yellow
JBX3MPM	Brown
JBX3MPN	Black
JBX3MPR	Red
JBX3MPV	Green
JBX3MPO	Orange

The overall length is 28.5 mm longer with the protective boot.  
Note: The protective boot is not a sealing element.


**Tooling**

**Crimp Tooling**



Part number
MIL-22520/7-01

**Locator**



Part number	
Male	Female
JBX30UTLP13	JBX30UTLS13

**Extraction Tool**



Part number
JBXOUTDC13


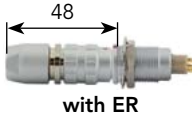
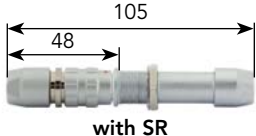


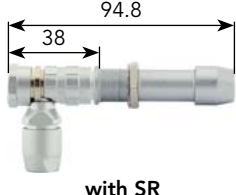
**JBX3-08 - IP40** (8 x Ø 1.3 mm)

**Contacts**

Ø 1.3 mm	Contact type	Plating	Contact locking type	AWG
Solder	Machined	0.5 µm gold over 3 to 5 µm Ni	Removable	20
Crimp	Machined	0.5 µm gold over 3 to 5 µm Ni	Removable	18 - 20 - 22

For more information see pages 231 and 232

**Mated Connector Length**

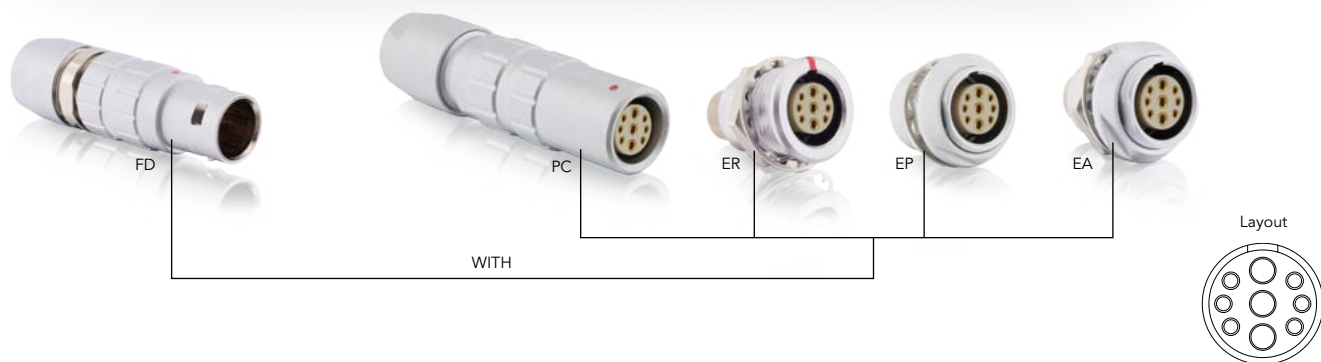
FD Plug + Receptacle		
 <p>50.8 with EA</p>	 <p>48 with ER</p>	 <p>105 48 with SR</p>
FC Plug + Receptacle		
 <p>40.8 with EA</p>	 <p>38 with ER</p>	 <p>94.8 38 with SR</p>

Connector

Electrical Characteristics
<p><b>UL</b> 12A 830V UL94 V-0</p>

Note: all dimensions are in mm

**JBX2-002 - IP40** (6 x Ø 0.7 mm + 3 x Ø 1.3 mm) - See waterproof IP68 version page 160



**Connector Part Number**

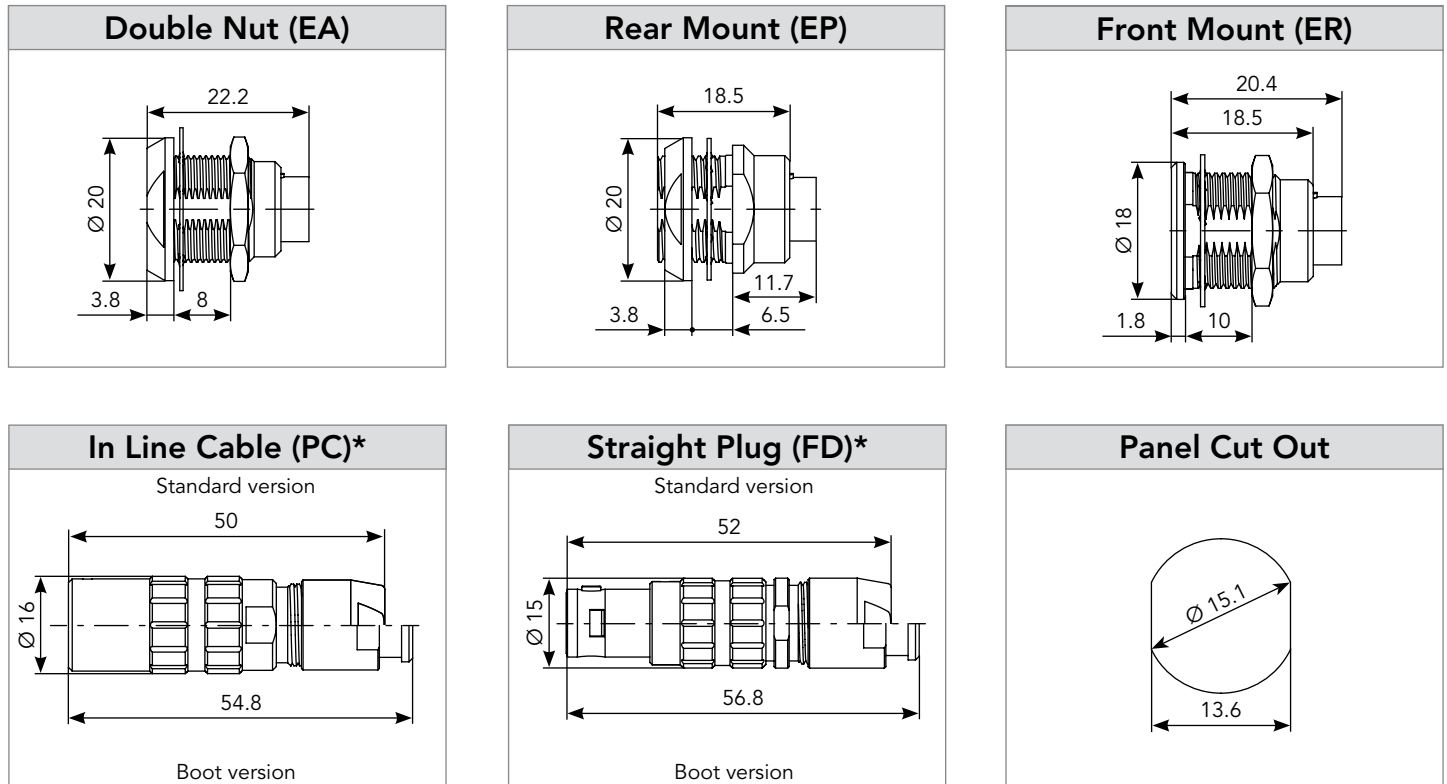
Contact type	Connector type	Description	Part number <sup>(1)</sup>	
			Male insert	Female insert
Solder contacts see page 163	Receptacle	Double nut (EA)	<b>JBXEA2G002MSSDS</b>	<b>JBXEA2G002FSSDS</b>
		Rear mount (EP)	<b>JBXEP2G002MSSDS</b>	<b>JBXEP2G002FSSDS</b>
		Front mount (ER)	<b>JBXER2G002MSSDSR</b>	<b>JBXER2G002FSSDSR</b>
		In line cable (PC) *	<b>JBXPC2G002MSSDSR</b>	<b>JBXPC2G002FSSDSR</b>
	Plug	Straight plug (FD) *	<b>JBXFD2G002MSSDSR</b>	<b>JBXFD2G002FSSDSR</b>

\* In order to get the back nut for protective boot please add «M» after the last «S». Example: JBX Straight Plug, size 2, 9 solder contacts, male insert = JBXFD2G002MSSDSMR. The protective boot need to be ordered separately, see page accessories.

(1): In order to get a black Chrome over Nickel please replace «S» before the «D» by one «N». Example: JBX Straight Plug, size 2, 9 solder contacts, male insert = JBXFD2G002MSNDSR.

**JBX2-002 - IP40** (6 x Ø 0.7 mm + 3 x Ø 1.3 mm) - See waterproof IP68 version page 160

**Dimensions** (For mated connector lengths see page 163)



**JBX2-002 - IP68** (6 x Ø 0.7 mm + 3 x Ø 1.3 mm) - See non sealed IP40 version page 158



**Connector Part Number**

Contact type	Connector type	Description	Part number <sup>(1)</sup>	
			Male insert	Female insert
Solder contacts see page 163	Receptacle	Double nut, front or rear mount (EC)	<b>JBXEC2G002MSSDS</b>	<b>JBXEC2G002FSSDS</b>
		Front mount extended (HH) ☁	<b>JBXHH2G002MSSDSR</b>	<b>JBXHH2G002FSSDSR</b>
	Plug	Straight plug (FH) *	<b>JBXFH2G002MSSDSR</b>	<b>JBXFH2G002FSSDSR</b>

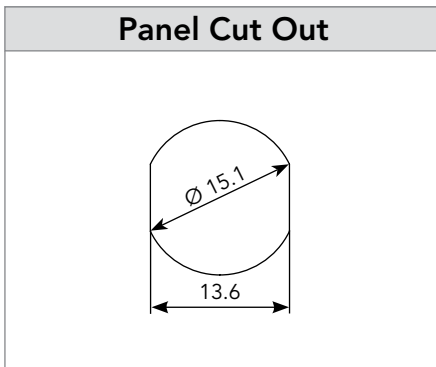
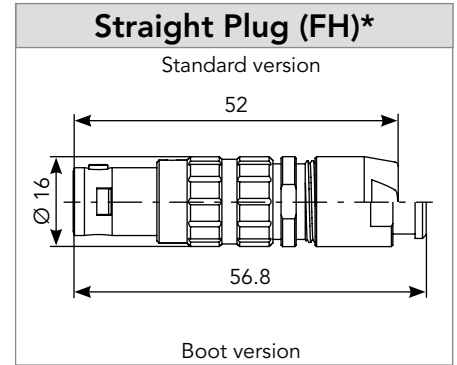
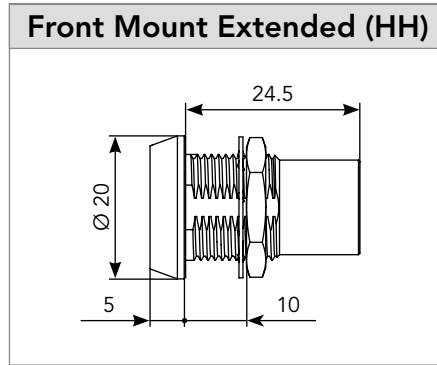
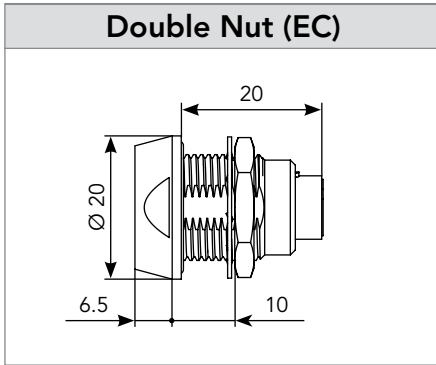
\* In order to get the back nut for protective boot please add «M» after the last «S». Example: JBX Straight Plug, size 2, 9 solder contacts, male insert = JBXFH2G002MSSDSMR. The protective boot need to be ordered separately, see page accessories.

1: In order to get a black Chrome over Nickel please replace «S» before the «D» by one «N». Example: JBX Straight Plug, size 2, 9 solder contacts, male insert = JBXFH2G002MSNDSR.

☁ : Sealed in Unmated Condition

**JBX2-002 - IP68** (6 x Ø 0.7 mm + 3 x Ø 1.3 mm) - See non sealed IP40 version page 158

**Dimensions** (For mated connector lengths see page 163)



**JBX2-002 - P40 & IP68** (6 x Ø 0.7 mm + 3 x Ø 1.3 mm)

**Accessories**

**Receptacle Dust Cap**




Part number
<b>JBXBR2</b>

**Plug Dust Cap**




Part number
<b>JBXBF2</b>

**Grounding Washer**



Part number
<b>JAXRA2252</b>

**Insulating Washer**



Part number	Color
<b>JBX2RIA</b>	Blue
<b>JBX2RIB</b>	White
<b>JBX2RIG</b>	Grey
<b>JBX2RIJ</b>	Yellow
<b>JBX2RIM</b>	Brown
<b>JBX2RIN</b>	Black
<b>JBX2RIR</b>	Red
<b>JBX2RIV</b>	Green
<b>JBX2RIO</b>	Orange

Note : Insulating washers are not compatible with the IP68 versions

**Protective Boot**

Available only for PC - FD , FH, with back nut protective boot 




Part number	Color
<b>JBX2MPA</b>	Blue
<b>JBX2MPB</b>	White
<b>JBX2MPG</b>	Grey
<b>JBX2MPJ</b>	Yellow
<b>JBX2MPM</b>	Brown
<b>JBX2MPN</b>	Black
<b>JBX2MPR</b>	Red
<b>JBX2MPV</b>	Green
<b>JBX2MPO</b>	Orange

The overall length is 25 mm longer with the protective boot.

Note: The protective boot is not a sealing element.

**Tooling**

**Extraction Tools**



Part number Ø 0.7
<b>JBXOUTDC07</b>

Part number Ø 1.3
<b>JBXOUTDC13</b>



**JBX2-002 - P40 & IP68** (6 x Ø 0.7 mm + 3 x Ø 1.3 mm)

**Contacts**

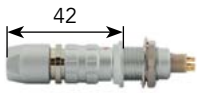

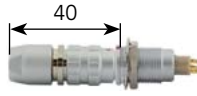

Ø 0.7 mm	Contact type	Plating	Contact locking type	AWG - Wire max.
Solder	Machined	0.5 µm gold over 3 to 5 µm Ni	Removable	22


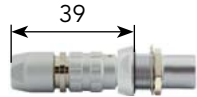
Ø 1.3 mm	Contact type	Plating	Contact locking type	AWG - Wire max.
Solder	Machined	0.5 µm gold over 3 to 5 µm Ni	Removable	20

For more information see page 231

**Mated Connector Length**

FD Plug + Receptacle			
			
with EA	with EP	with ER	with PC

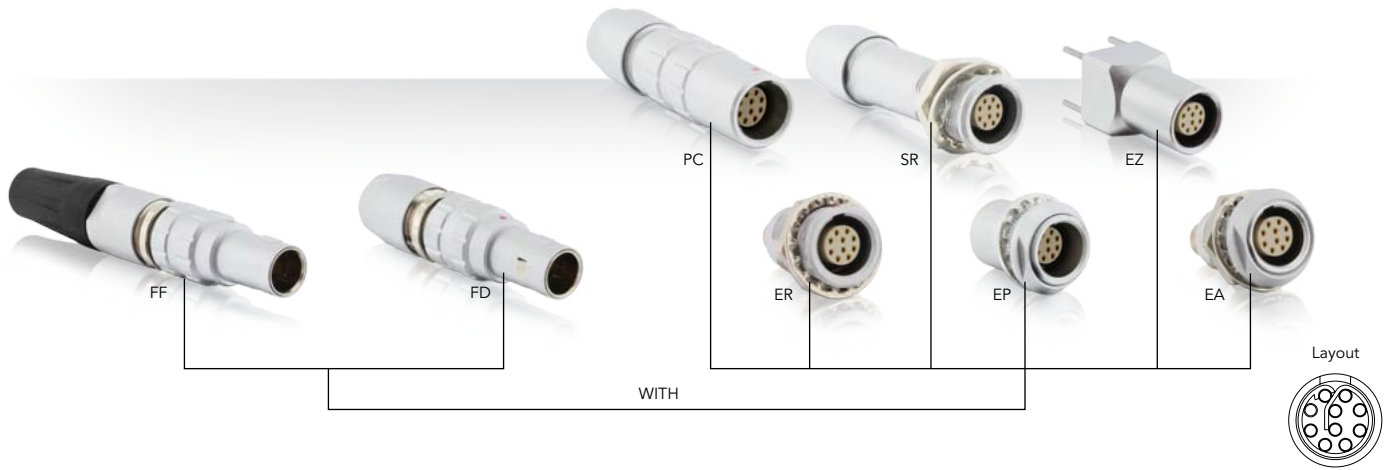
FH Plug + Receptacle	
	
with EC	with HH

Connector

Electrical Characteristics
<p>UL 26A 700V UL94 V-0</p>

Note: all dimensions are in mm

**JBX1-10 - IP40 (10 x Ø 0.5mm)**



**Connector Part Number**

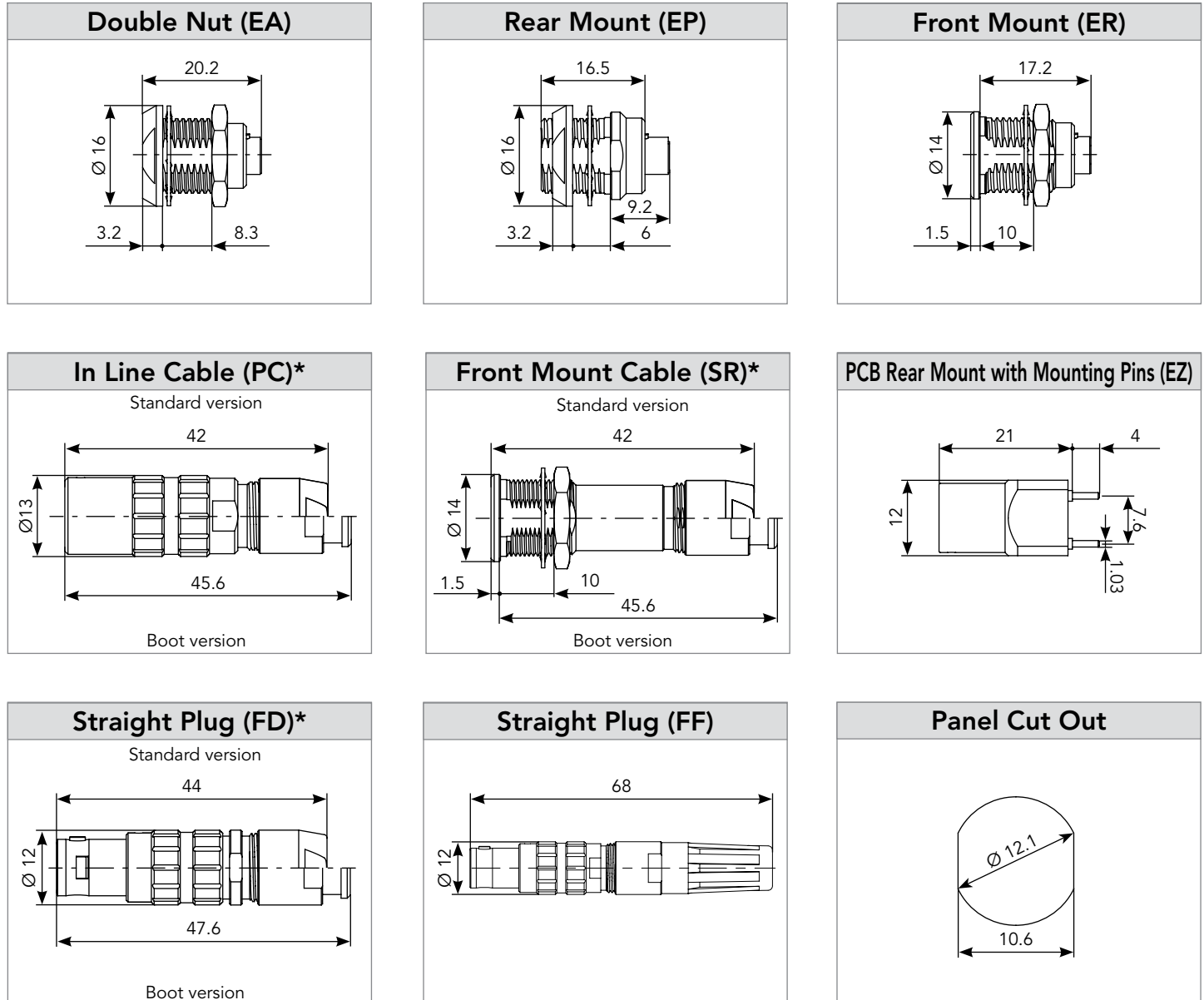
Contact type	Connector type	Description	Part number <sup>(1)</sup>	
			Male insert	Female insert
Solder contacts see page 167	Receptacle	Double nut (EA)	<b>JBXEA1G10MSSDS</b>	<b>JBXEA1G10FSSDS</b>
		Rear mount (EP)	<b>JBXEP1G10MSSDS</b>	<b>JBXEP1G10FSSDS</b>
		Front mount (ER)	<b>JBXER1G10MSSDSR</b>	<b>JBXER1G10FSSDSR</b>
		In line cable (PC) *	<b>JBXPC1G10MSSDSR</b>	<b>JBXPC1G10FSSDSR</b>
	Front mount cable (SR) *	<b>JBXSR1G10MSSDSR</b>	<b>JBXSR1G10FSSDSR</b>	
	Plug	Straight plug (FD) *	<b>JBXFD1G10MSSDSR</b>	<b>JBXFD1G10FSSDSR</b>
Straight plug no latch (FF) with black protective boot		<b>JBXFF1G10MSSDSR</b>	<b>JBXFF1G10FSSDSR</b>	
Straight PCB contacts see page 167	Receptacle	Double nut (EA)	-	<b>JBXEA1G10FPSDS</b>
		Front mount (ER)	-	<b>JBXER1G10FPSDSR</b>
		PCB rear mount with mounting pins (EZ)	-	<b>JBXEZ1G10FPSDSR</b>

\* In order to get the back nut for protective boot please add «M» after the last «S». Example: JBX Straight Plug, size 1, 10 solder contacts, male insert = JBXFD1G10MSSDSMR.   : First choice  
The protective boot need to be ordered separately, see page accessories.

(1): In order to get a black Chrome over Nickel please replace «S» before the «D» by one «N». Example: JBX Straight Plug, size 1, 10 solder contacts, male insert = JBXFD1G10MSNDSR.

**JBX1-10 - IP40** (10 x Ø 0.5mm)

**Dimensions** (For mated connector lengths see page 167)



Connector

Note: all dimensions are in mm

**JBX1-10 - IP40 (10 x Ø 0.5mm)**

**Receptacle Dust Cap**




Part number  
**JBXBR1**

**Plug Dust Cap**




Part number  
**JBXBF1**

**Grounding Washer**



Part number  
**JAXRA1251**


**Insulating Washer**




Part number	Color
<b>JBX1RIA</b>	Blue
<b>JBX1RIB</b>	White
<b>JBX1RIG</b>	Grey
<b>JBX1RIJ</b>	Yellow
<b>JBX1RIM</b>	Brown
<b>JBX1RIN</b>	Black
<b>JBX1RIR</b>	Red
<b>JBX1RIV</b>	Green
<b>JBX1RIO</b>	Orange

Note : Insulating washers are not compatible with the IP68 versions

**Protective Boot**

Available only for PC - FC - FD - SR, with back nut protective boot 



Part number	Color
<b>JBX1MPA</b>	Blue
<b>JBX1MPB</b>	White
<b>JBX1MPG</b>	Grey
<b>JBX1MPJ</b>	Yellow
<b>JBX1MPM</b>	Brown
<b>JBX1MPN</b>	Black
<b>JBX1MPR</b>	Red
<b>JBX1MPV</b>	Green
<b>JBX1MPO</b>	Orange

The overall length is 21 mm longer with the protective boot.  
Note: The protective boot is not a sealing element.

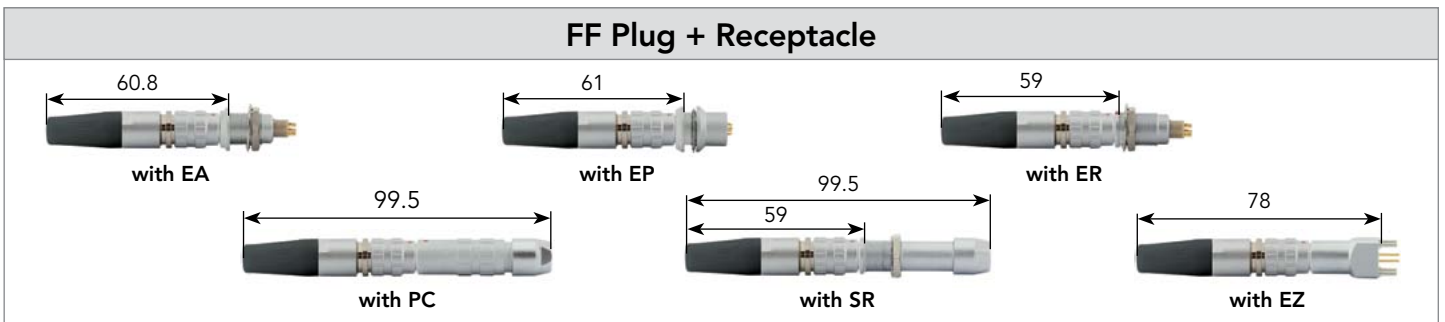
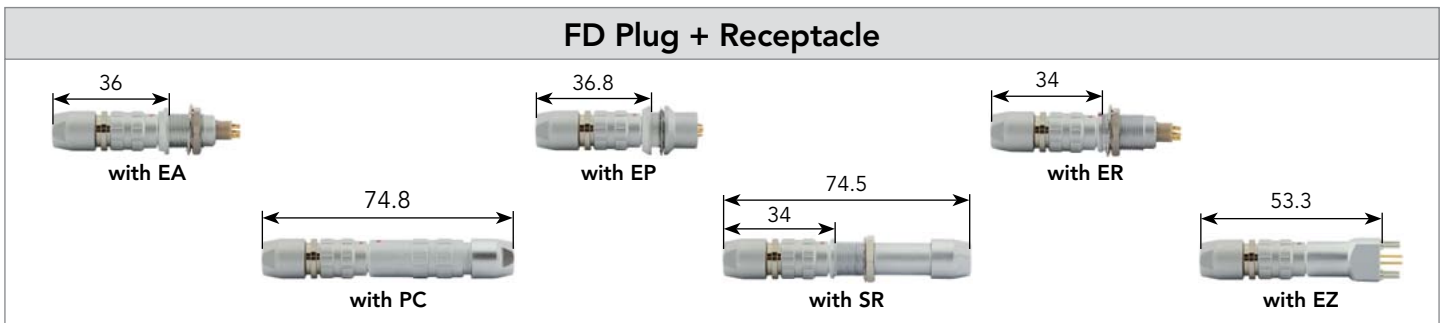
## JBX1-10 - IP40 (10 x Ø 0.5mm)

### Contacts

Ø 0.5 mm	Contact type	Plating	Contact locking type	AWG - Wire max.
Solder	Machined	0.5 µm gold over 3 to 5 µm Ni	Fixed	28
Straight PCB	Machined	0.5 µm gold over 3 to 5 µm Ni	Fixed	-

For more information see pages 231 and 233

### Mated Connector Length

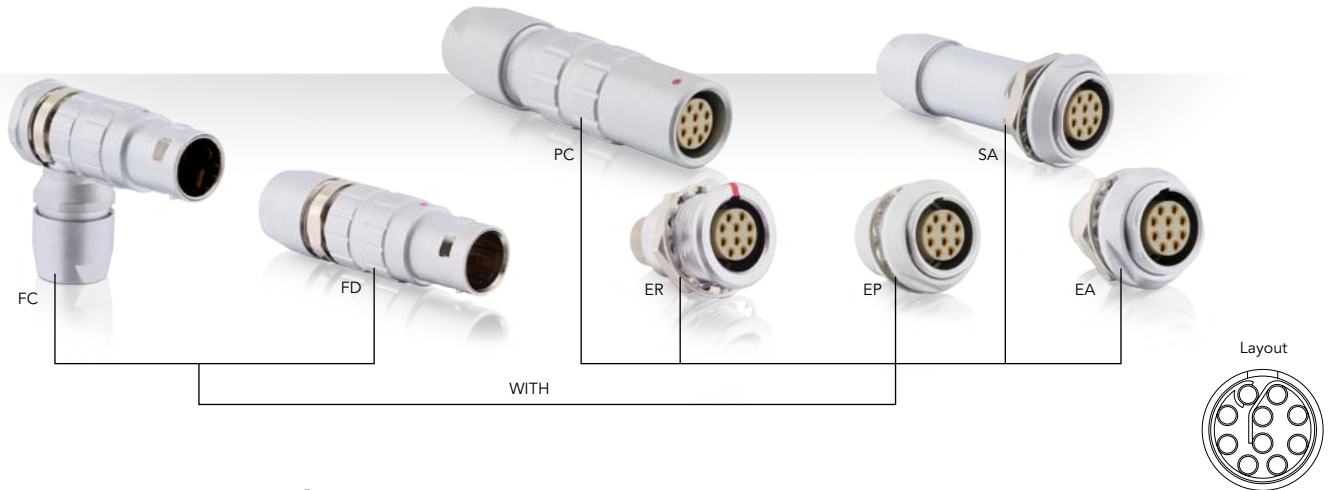


### Electrical Characteristics

UL  
2.5A 300V UL94 V-0

Note: all dimensions are in mm

**JBX2-10 - IP40** (10 x Ø 0.9 mm) - See waterproof IP68 version page 170



**Connector Part Number**

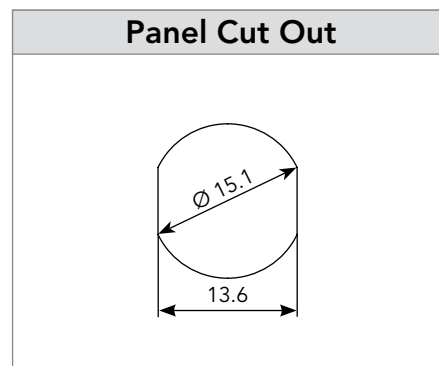
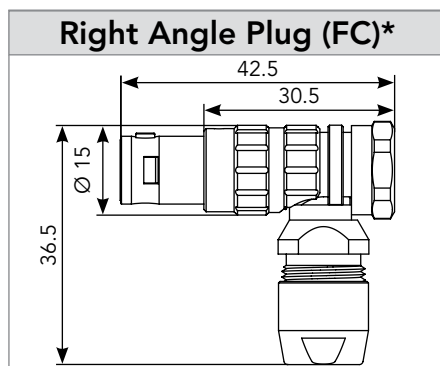
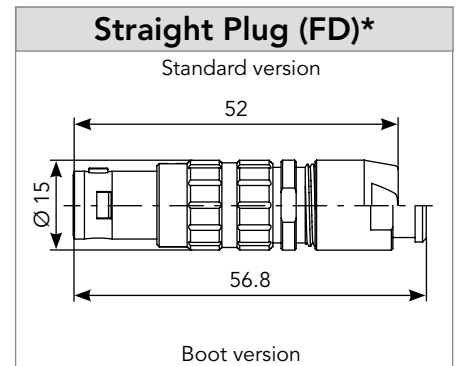
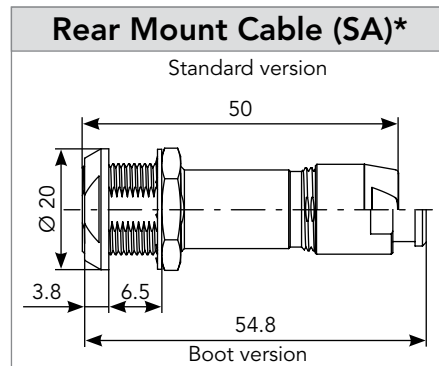
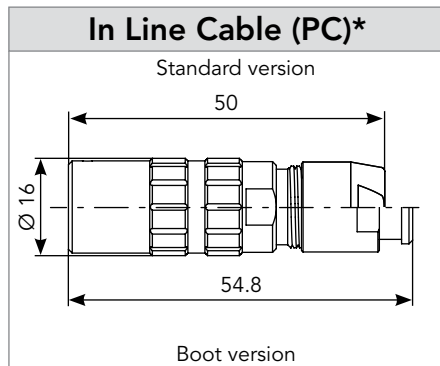
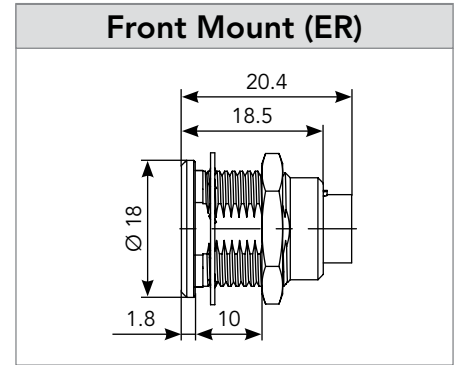
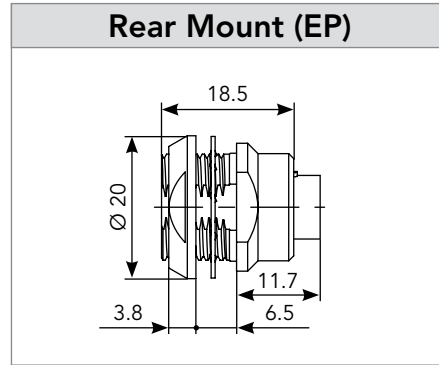
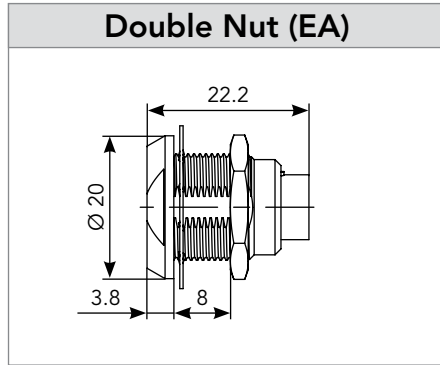
Contact type	Connector type	Description	Part number <sup>(1)</sup>	
			Male insert	Female insert
Solder contacts see page 173	Receptacle	Double nut (EA)	<b>JBXEA2G10MSSDS</b>	<b>JBXEA2G10FSSDS</b>
		Rear mount (EP)	<b>JBXEP2G10MSSDS</b>	<b>JBXEP2G10FSSDS</b>
		Front mount (ER)	<b>JBXER2G10MSSDSR</b>	<b>JBXER2G10FSSDSR</b>
		In line cable (PC) *	<b>JBXPC2G10MSSDSR</b>	<b>JBXPC2G10FSSDSR</b>
	Plug	Straight plug (FD) *	<b>JBXFD2G10MSSDSR</b>	<b>JBXFD2G10FSSDSR</b>
Crimp contacts see page 173	Receptacle	Double nut (EA)	<b>JBXEA2G10MCSDS</b>	<b>JBXEA2G10FCSDS</b>
		Rear mount (EP)	<b>JBXEP2G10MCSDS</b>	<b>JBXEP2G10FCSDS</b>
		Front mount (ER)	<b>JBXER2G10MCSDSR</b>	<b>JBXER2G10FCSDSR</b>
		In line cable (PC) *	<b>JBXPC2G10MCSDSR</b>	<b>JBXPC2G10FCSDSR</b>
		Rear mount cable (SA) *	<b>JBXSA2G10MCSDS</b>	<b>JBXSA2G10FCSDS</b>
	Plug	Right angle plug (FC) *	<b>JBXFC2G10MCSDSR</b>	<b>JBXFC2G10FCSDSR</b>
		Straight plug (FD) *	<b>JBXFD2G10MCSDSR</b>	<b>JBXFD2G10FCSDSR</b>
Straight PCB contacts see page 173	Receptacle	Double nut (EA)	-	<b>JBXEA2G10FPSDS</b>
		Rear mount (EP)	-	<b>JBXEP2G10FPSDS</b>
		Front mount (ER)	-	<b>JBXER2G10FPSDSR</b>
90° PCB contacts see page 173	Receptacle	Double nut (EA)	-	<b>JBXEA2G10FQSDS</b>
		Rear mount (EP)	-	<b>JBXEP2G10FQSDS</b>

\* In order to get the back nut for protective boot please add «M» after the last «S». Example: JBX Straight Plug, size 2, 10 solder contacts, male insert = JBXFD2G10MSSDSMR. ■ : First choice  
The protective boot need to be ordered separately, see page accessories.

(1): In order to get a black Chrome over Nickel please replace «S» before the «D» by one «N». Example: JBX Straight Plug, size 2, 10 solder contacts, male insert = JBXFD2G10MSNDSR.

**JBX2-10 - IP40** (10 x Ø 0.9 mm) - See waterproof IP68 version page 170

**Dimensions** (For mated connector lengths see page 173)



Connector

Note: all dimensions are in mm

**JBX2-10 - IP68** (10 x Ø 0.9 mm) - See non sealed IP40 version page 168



**Connector Part Number**

Contact type	Connector type	Description	Part number <sup>(1)</sup>	
			Male insert	Female insert
Solder contacts see page 173	Receptacle	Double nut, front or rear mount (EC)	<b>JBXEC2G10MSSDS</b>	<b>JBXEC2G10FSSDS</b>
		Front mount extended (HH) ☁	<b>JBXHH2G10MSSDSR</b>	<b>JBXHH2G10FSSDSR</b>
	Plug	Straight plug (FH) *	<b>JBXFH2G10MSSDSR</b>	<b>JBXFH2G10FSSDSR</b>
Crimp contacts see page 173	Receptacle	Double nut, front or rear mount (EC)	<b>JBXEC2G10MCSDS</b>	<b>JBXEC2G10FCSDS</b>
		Front mount extended (HH)	<b>JBXHH2G10MCSDSR</b>	<b>JBXHH2G10FCSDSR</b>
	Plug	Straight plug (FH) *	<b>JBXFH2G10MCSDSR</b>	<b>JBXFH2G10FCSDSR</b>
Straight PCB contacts see page 173	Receptacle	Double nut, front or rear mount (EC)	-	<b>JBXEC2G10FPSDS</b>

\* In order to get the back nut for protective boot please add «M» after the last «S». Example: JBX Straight Plug, size 2, 10 solder contacts, male insert = JBXFH2G10MSSDSMR. The protective boot need to be ordered separately, see page accessories.

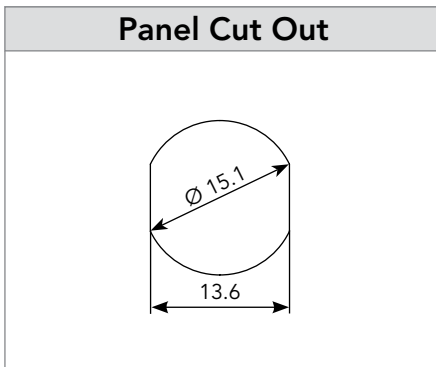
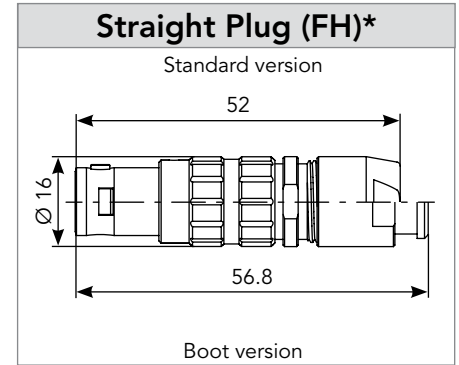
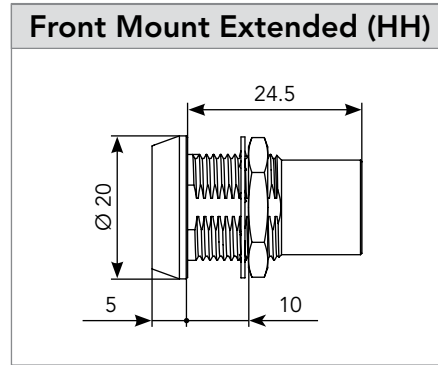
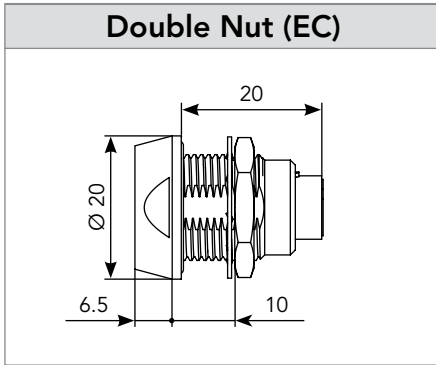
1: In order to get a black Chrome over Nickel please replace «S» before the «D» by one «N». Example: JBX Straight Plug, size 2, 10 solder contacts, male insert = JBXFH2G10MSNDSR.

☁ : Sealed in Unmated Condition



**JBX2-10 - IP68** (10 x Ø 0.9 mm) - See non sealed IP40 version page 168

**Dimensions** (For mated connector lengths see page 173)



## JBX2-10 - IP40 & IP68 (10 x Ø 0.9 mm)

### Accessories

**Receptacle Dust Cap**




Part number
<b>JBXBR2</b>

**Plug Dust Cap**




Part number
<b>JBXBF2</b>

**Grounding Washer**



Part number
<b>JAXRA2252</b>

**Insulating Washer**



Part number	Color
<b>JBX2RIA</b>	Blue
<b>JBX2RIB</b>	White
<b>JBX2RIG</b>	Grey
<b>JBX2RIJ</b>	Yellow
<b>JBX2RIM</b>	Brown
<b>JBX2RIN</b>	Black
<b>JBX2RIR</b>	Red
<b>JBX2RIV</b>	Green
<b>JBX2RIO</b>	Orange

Note : Insulating washers are not compatible with the IP68 versions

**Protective Boot**

Available only for PC - FC - FD - SA, FH, with back nut protective boot 



Part number	Color
<b>JBX2MPA</b>	Blue
<b>JBX2MPB</b>	White
<b>JBX2MPG</b>	Grey
<b>JBX2MPJ</b>	Yellow
<b>JBX2MPM</b>	Brown
<b>JBX2MPN</b>	Black
<b>JBX2MPR</b>	Red
<b>JBX2MPV</b>	Green
<b>JBX2MPO</b>	Orange

The overall length is 25 mm longer with the protective boot.  
Note: The protective boot is not a sealing element.


### Tooling

**Crimp Tooling**



Part number
<b>MIL-22520/7-01</b>

**Locator**



Part number	
Male	Female
<b>JBX2OUTLP09</b>	<b>JBX2OUTLS09</b>

**Extraction Tool**



Part number
<b>JBXOUTDC09</b>

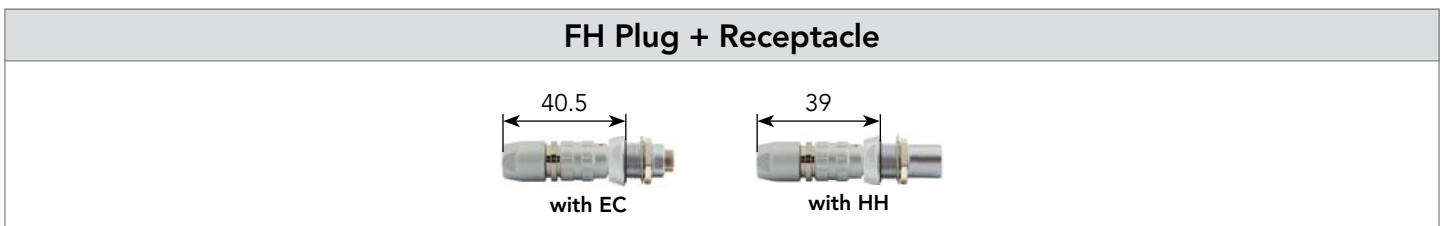
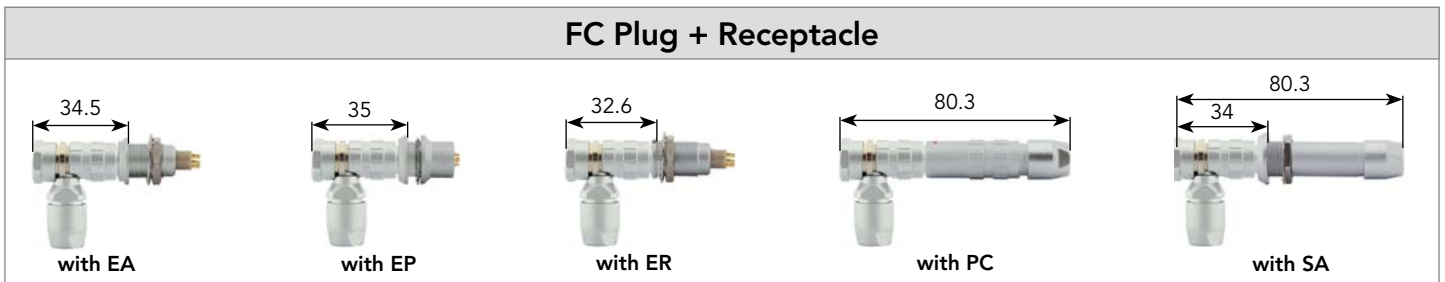
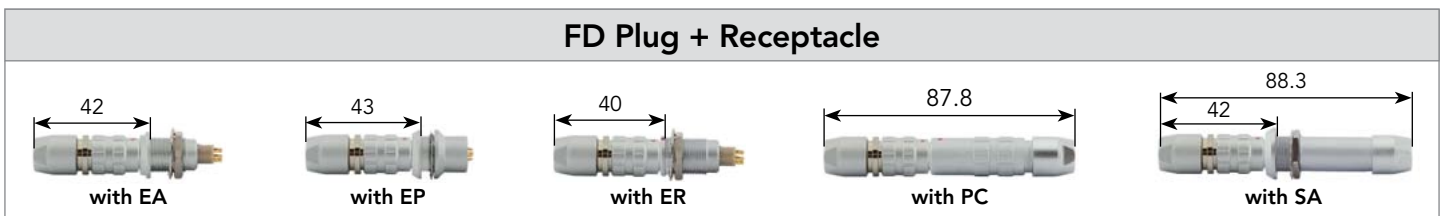
## JBX2-10 - IP40 & IP68 (10 x Ø 0.9 mm)

### Contacts

Ø 0.9 mm	Contact type	Plating	Contact locking type	AWG
Solder	Machined	0.5 µm gold over 3 to 5 µm Ni	Removable	24
Crimp	Machined	0.5 µm gold over 3 to 5 µm Ni	Removable	20 - 22 - 24
Straight PCB	Machined	0.5 µm gold over 3 to 5 µm Ni	Fixed	-
90° PCB	Machined	0.5 µm gold over 3 to 5 µm Ni	Removable	-

For more information see pages 231 to 234

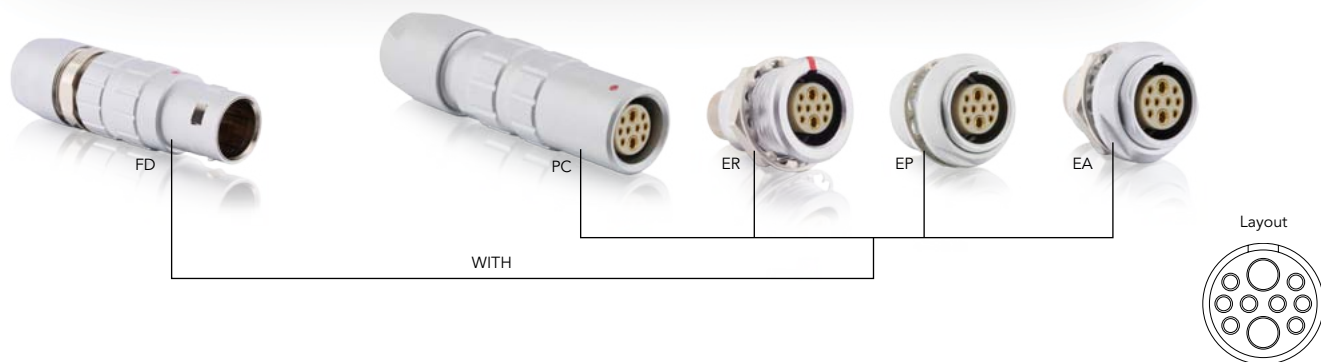
### Mated Connector Length



Electrical Characteristics
<p><b>UL</b> 8A 830V UL94 V-0</p>

Note: all dimensions are in mm

**JBX2-003 - IP40** (8 x Ø 0.7 mm + 2 x Ø 1.6 mm) - See waterproof IP68 version page 176



**Connector Part Number**

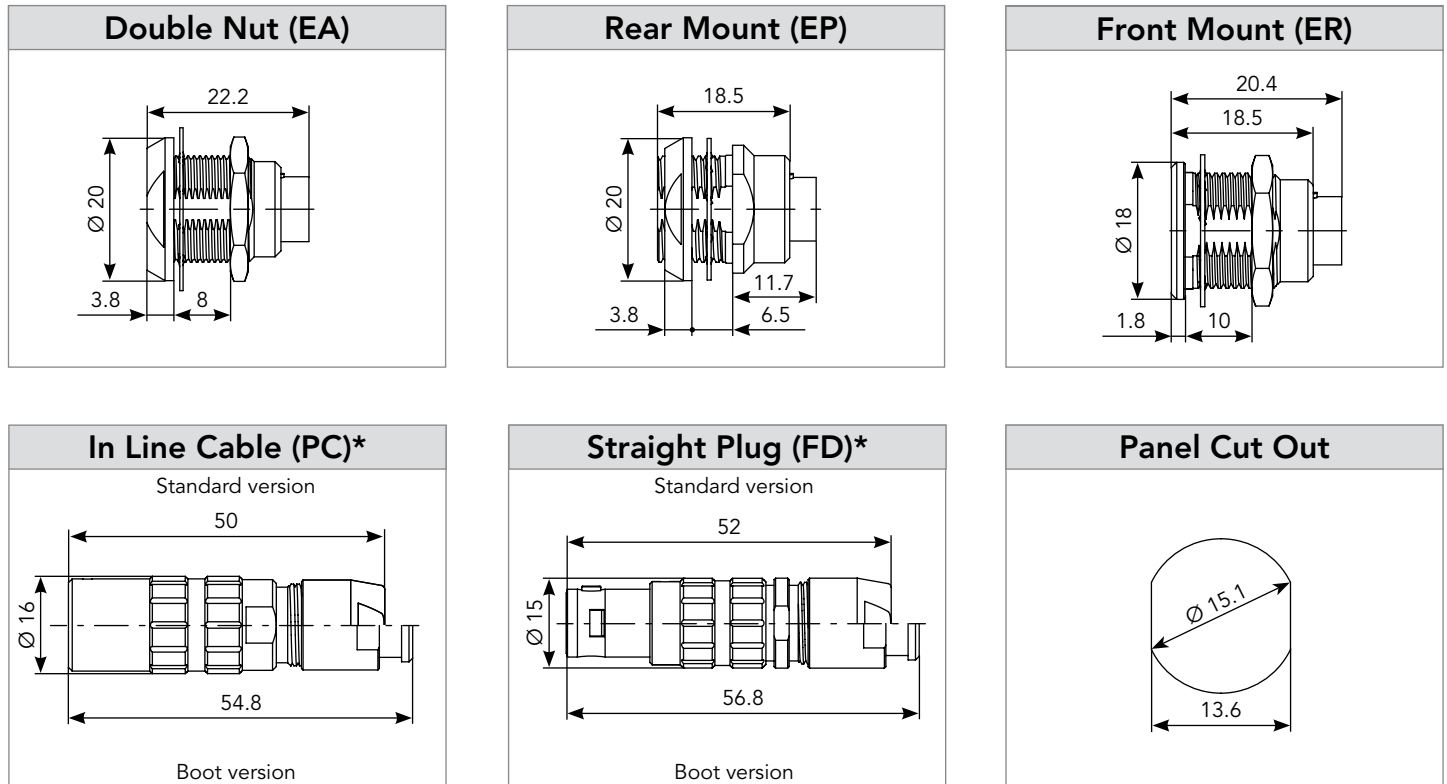
Contact type	Connector type	Description	Part number <sup>(1)</sup>	
			Male insert	Female insert
Solder contacts see page 179	Receptacle	Double nut (EA)	<b>JBXEA2G003MSSDS</b>	<b>JBXEA2G003FSSDS</b>
		Rear mount (EP)	<b>JBXEP2G003MSSDS</b>	<b>JBXEP2G003FSSDS</b>
		Front mount (ER)	<b>JBXER2G003MSSDSR</b>	<b>JBXER2G003FSSDSR</b>
		In line cable (PC) *	<b>JBXPC2G003MSSDSR</b>	<b>JBXPC2G003FSSDSR</b>
	Plug	Straight plug (FD) *	<b>JBXFD2G003MSSDSR</b>	<b>JBXFD2G003FSSDSR</b>

\* In order to get the back nut for protective boot please add «M» after the last «S». Example: JBX Straight Plug, size 2, 10 solder contacts, male insert = JBXFD2G003MSSDSMR. The protective boot need to be ordered separately, see page accessories.

(1): In order to get a black Chrome over Nickel please replace «S» before the «D» by one «N». Example: JBX Straight Plug, size 2, 10 solder contacts, male insert = JBXFD2G003MSNDSR.

**JBX2-003 - IP40** (8 x Ø 0.7 mm + 2 x Ø 1.6 mm) - See waterproof IP68 version page 176

**Dimensions** (For mated connector lengths see page 179)



Note: all dimensions are in mm

**JBX2-003 - IP68** (8 x Ø 0.7 mm + 2 x Ø 1.6 mm) - See non sealed IP40 version page 174



**Connector Part Number**

Contact type	Connector type	Description	Part number <sup>(1)</sup>	
			Male insert	Female insert
Solder contacts see page 179	Receptacle	Double nut, front or rear mount (EC)	<b>JBXEC2G003MSSDS</b>	<b>JBXEC2G003FSSDS</b>
		Front mount extended (HH) ☁	<b>JBXHH2G003MSSDSR</b>	<b>JBXHH2G003FSSDSR</b>
	Plug	Straight plug (FH) *	<b>JBXFH2G003MSSDSR</b>	<b>JBXFH2G003FSSDSR</b>

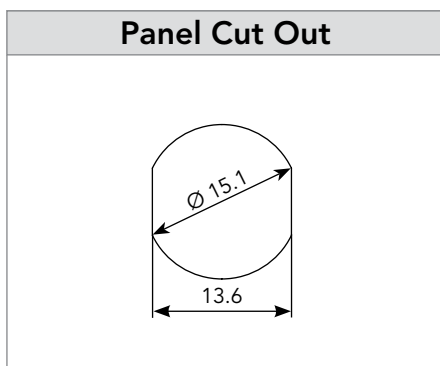
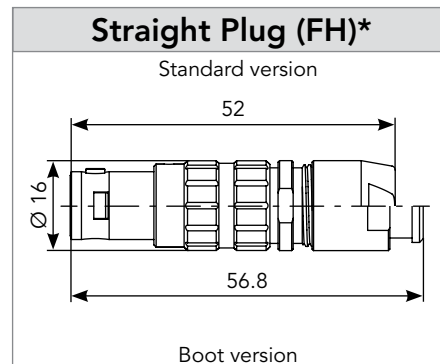
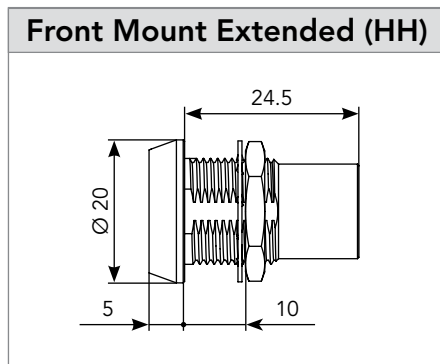
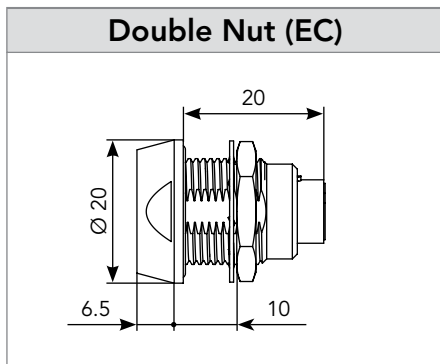
\* In order to get the back nut for protective boot please add «M» after the last «S». Example: JBX Straight Plug, size 2, 10 solder contacts, male insert = JBXFH2G003MSSDSMR. The protective boot need to be ordered separately, see page accessories.

1: In order to get a black Chrome over Nickel please replace «S» before the «D» by one «N». Example: JBX Straight Plug, size 2, 10 solder contacts, male insert = JBXFH2G003MSNDSR.

☁ : Sealed in Unmated Condition

**JBX2-003 - IP68** (8 x Ø 0.7 mm + 2 x Ø 1.6 mm) - See non sealed IP40 version page 174

**Dimensions** (For mated connector lengths see page 179)



**JBX2-003 - IP40 & IP68** (8 x Ø 0.7 mm + 2 x Ø 1.6 mm)

**Accessories**

**Receptacle Dust Cap**




Part number  
**JBXBR2**

**Plug Dust Cap**




Part number  
**JBXBF2**

**Grounding Washer**



Part number  
**JAXRA2252**

**Insulating Washer**



Part number	Color
<b>JBX2RIA</b>	Blue
<b>JBX2RIB</b>	White
<b>JBX2RIG</b>	Grey
<b>JBX2RIJ</b>	Yellow
<b>JBX2RIM</b>	Brown
<b>JBX2RIN</b>	Black
<b>JBX2RIR</b>	Red
<b>JBX2RIV</b>	Green
<b>JBX2RIO</b>	Orange

Note : Insulating washers are not compatible with the IP68 versions

**Protective Boot**

Available only for PC - FD , FH, with back nut protective boot 




Part number	Color
<b>JBX2MPA</b>	Blue
<b>JBX2MPB</b>	White
<b>JBX2MPG</b>	Grey
<b>JBX2MPJ</b>	Yellow
<b>JBX2MPM</b>	Brown
<b>JBX2MPN</b>	Black
<b>JBX2MPR</b>	Red
<b>JBX2MPV</b>	Green
<b>JBX2MPO</b>	Orange

The overall length is 25 mm longer with the protective boot.  
Note: The protective boot is not a sealing element.

**Tooling**

**Extraction Tools**



Part number Ø 0.7  
**JBXOUTDC07**

Part number Ø 1.6  
**JBXOUTDC16**



**JBX2-003 - IP40 & IP68** (8 x Ø 0.7 mm + 2 x Ø 1.6 mm)

**Contacts**

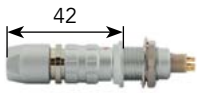

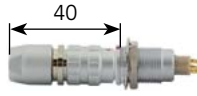

Ø 0.7 mm	Contact type	Plating	Contact locking type	AWG - Wire max.
Solder	Machined	0.5 µm gold over 3 to 5 µm Ni	Removable	22


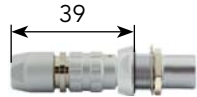
Ø 1.6 mm	Contact type	Plating	Contact locking type	AWG - Wire max.
Solder	Machined	0.5 µm gold over 3 to 5 µm Ni	Removable	18

For more information see page 231

**Mated Connector Length**

FD Plug + Receptacle			
			
with EA	with EP	with ER	with PC

FH Plug + Receptacle	
	
with EC	with HH

Connector

Electrical Characteristics
<p><b>UL</b> 17A 700V UL94 V-0</p>

Note: all dimensions are in mm

**JBX3-10 - IP40** (10 x Ø 1.3 mm)



**Connector Part Number**

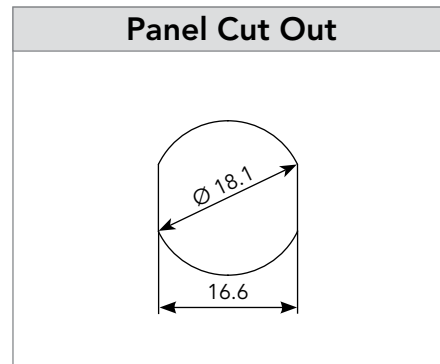
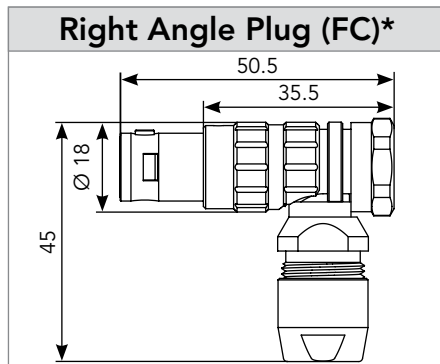
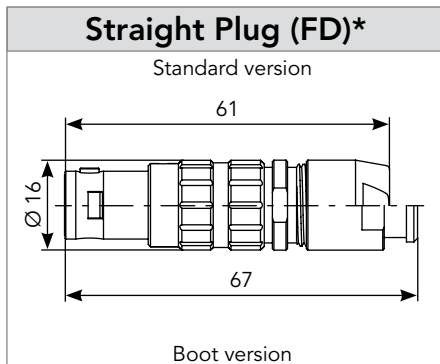
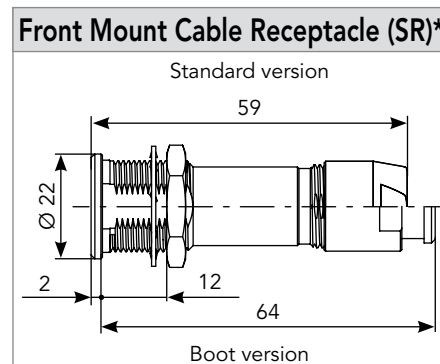
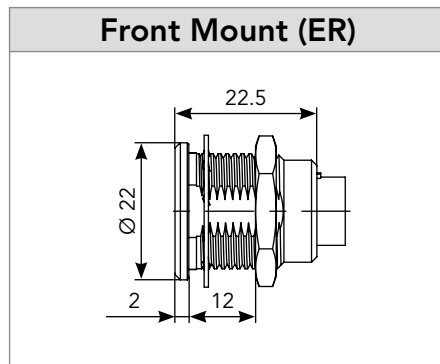
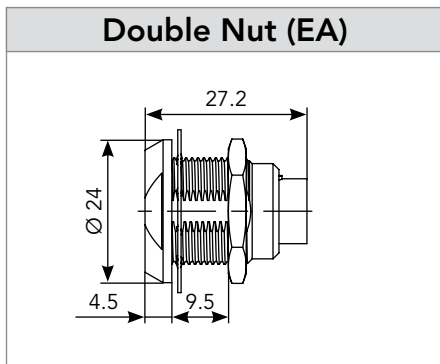
Contact type	Connector type	Description	Part number <sup>(1)</sup>	
			Male insert	Female insert
Solder contacts see page 183	Receptacle	Double nut (EA)	<b>JBXEA3G10MSSDS</b>	<b>JBXEA3G10FSSDS</b>
		Front mount (ER)	<b>JBXER3G10MSSDSR</b>	<b>JBXER3G10FSSDSR</b>
		Front mount cable (SR) *	<b>JBXSR3G10MSSDSR</b>	<b>JBXSR3G10FSSDSR</b>
	Plug	Straight plug (FD) *	<b>JBXFD3G10MSSDSR</b>	<b>JBXFD3G10FSSDSR</b>
Crimp contacts see page 183	Receptacle	Double nut (EA)	<b>JBXEA3G10MCSDS</b>	<b>JBXEA3G10FCSDS</b>
		Front mount (ER)	<b>JBXER3G10MCSDSR</b>	<b>JBXER3G10FCSDSR</b>
	Plug	Right angle plug (FC) *	<b>JBXFC3G10MCSDSR</b>	<b>JBXFC3G10FCSDSR</b>
		Straight plug (FD) *	<b>JBXFD3G10MCSDSR</b>	<b>JBXFD3G10FCSDSR</b>
Straight PCB contacts see page 183	Receptacle	Double nut (EA)	-	<b>JBXEA3G10FPSDS</b>

\* In order to get the back nut for protective boot please add «M» after the last «S». Example: JBX Straight Plug, size 3, 10 solder contacts, male insert = JBXFD3G10MSSDSMR. The protective boot need to be ordered separately, see page accessories.

1: In order to get a black Chrome over Nickel please replace «S» before the «D» by one «N». Example: JBX Straight Plug, size 3, 10 solder contacts, male insert = JBXFD3G10MSNDSR.

**JBX3-10 - IP40** (10 x Ø 1.3 mm)

**Dimensions** (For mated connector lengths see page 183)



Note: all dimensions are in mm

**JBX3-10 - IP40** (10 x Ø 1.3 mm)

**Accessories**

**Receptacle Dust Cap**




Part number
<b>JBXBR3</b>

**Plug Dust Cap**




Part number
<b>JBXBF3</b>

**Grounding Washer**



Part number
<b>JAXRA3252</b>

**Insulating Washer**



Part number	Color
<b>JBX3RIA</b>	Blue
<b>JBX3RIB</b>	White
<b>JBX3RIG</b>	Grey
<b>JBX3RIJ</b>	Yellow
<b>JBX3RIM</b>	Brown
<b>JBX3RIN</b>	Black
<b>JBX3RIR</b>	Red
<b>JBX3RIV</b>	Green
<b>JBX3RIO</b>	Orange

Note : Insulating washers are not compatible with the IP68 versions

**Protective Boot**

Available only for FC - FD - SR, with back nut protective boot 



Part number	Color
<b>JBX3MPA</b>	Blue
<b>JBX3MPB</b>	White
<b>JBX3MPG</b>	Grey
<b>JBX3MPJ</b>	Yellow
<b>JBX3MPM</b>	Brown
<b>JBX3MPN</b>	Black
<b>JBX3MPR</b>	Red
<b>JBX3MPV</b>	Green
<b>JBX3MPO</b>	Orange

The overall length is 28.5 mm longer with the protective boot.  
Note: The protective boot is not a sealing element.


**Tooling**

**Crimp Tooling**



Part number
<b>MIL-22520/7-01</b>

**Locator**



Part number	
Male	Female
<b>JBX30UTLP13</b>	<b>JBX30UTLS13</b>

**Extraction Tool**



Part number
<b>JBXOUTDC13</b>

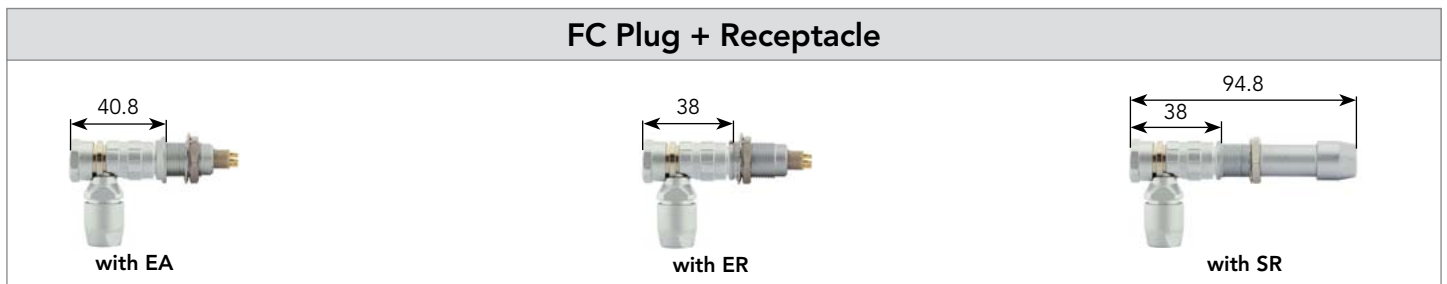
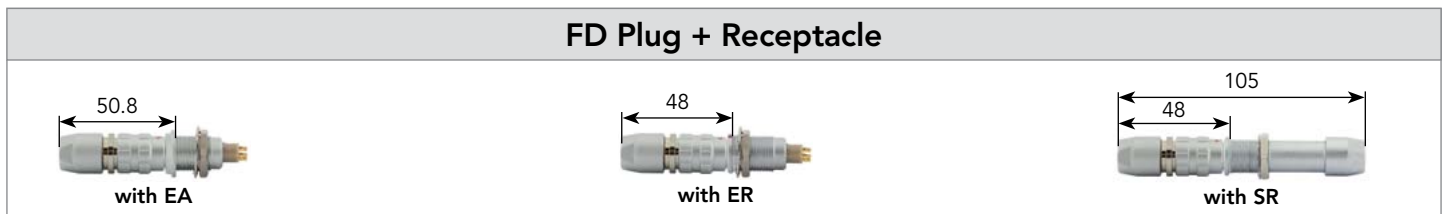
**JBX3-10 - IP40** (10 x Ø 1.3 mm)

**Contacts**

Ø 1.3 mm	Contact type	Plating	Contact locking type	AWG
Solder	Machined	0.5 µm gold over 3 to 5 µm Ni	Removable	20
Crimp	Machined	0.5 µm gold over 3 to 5 µm Ni	Removable	18 - 20 - 22
Straight PCB	Machined	0.5 µm gold over 3 to 5 µm Ni	Fixed	-

For more information see pages 231 to 233

**Mated Connector Length**

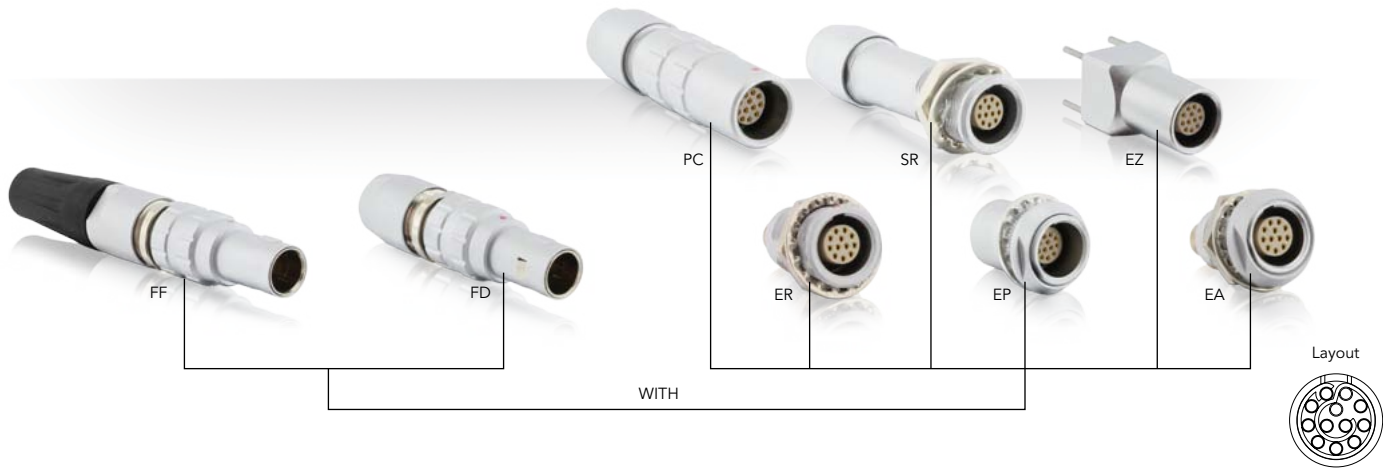


Connector

Electrical Characteristics
<p><b>UL</b> 12A 600V UL94 V-0</p>

Note: all dimensions are in mm

**JBX1-12 - IP40 (12 x Ø 0.5mm)**



**Connector Part Number**

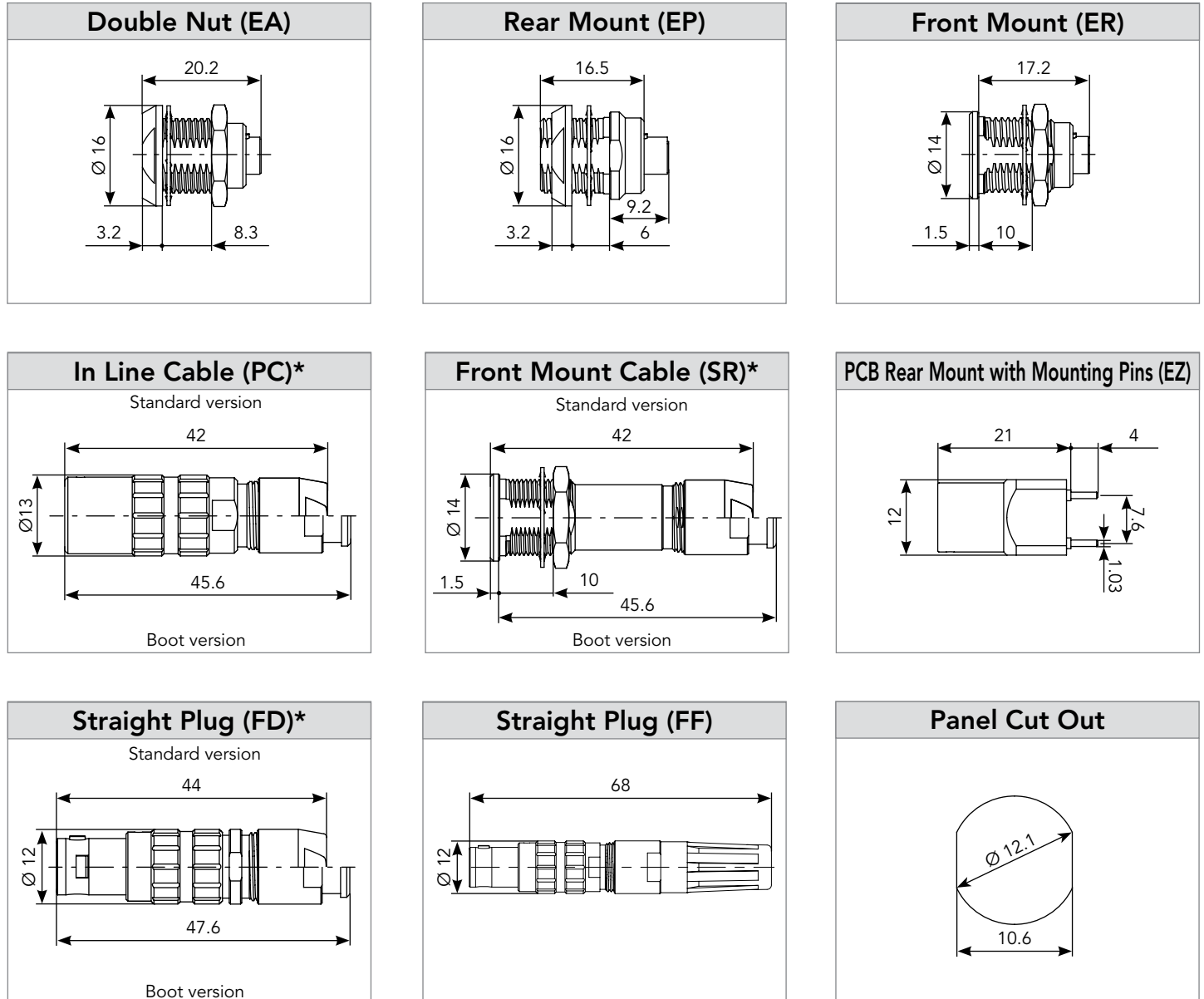
Contact type	Connector type	Description	Part number <sup>(1)</sup>	
			Male insert	Female insert
Solder contacts see page 187	Receptacle	Double nut (EA)	<b>JBXEA1G12MSSDS</b>	<b>JBXEA1G12FSSDS</b>
		Rear mount (EP)	<b>JBXEP1G12MSSDS</b>	<b>JBXEP1G12FSSDS</b>
		Front mount (ER)	<b>JBXER1G12MSSDSR</b>	<b>JBXER1G12FSSDSR</b>
		In line cable (PC) *	<b>JBXPC1G12MSSDSR</b>	<b>JBXPC1G12FSSDSR</b>
	Front mount cable (SR) *	<b>JBXSR1G12MSSDSR</b>	<b>JBXSR1G12FSSDSR</b>	
	Plug	Straight plug (FD) *	<b>JBXFD1G12MSSDSR</b>	<b>JBXFD1G12FSSDSR</b>
Straight plug no latch (FF) with black protective boot		<b>JBXFF1G12MSSDSR</b>	<b>JBXFF1G12FSSDSR</b>	
Straight PCB contacts see page 187	Receptacle	Double nut (EA)	-	<b>JBXEA1G12FPSDS</b>
		Front mount (ER)	-	<b>JBXER1G12FPSDSR</b>
		PCB rear mount with mounting pins (EZ)	-	<b>JBXEZ1G12FPSDSR</b>

\* In order to get the back nut for protective boot please add «M» after the last «S». Example: JBX Straight Plug, size 1, 12 solder contacts, male insert = JBXFD1G12MSSDSMR.   : First choice  
The protective boot need to be ordered separately, see page accessories.

(1): In order to get a black Chrome over Nickel please replace «S» before the «D» by one «N». Example: JBX Straight Plug, size 1, 12 solder contacts, male insert = JBXFD1G12MSNDSR.

**JBX1-12 - IP40** (12 x Ø 0.5mm)

**Dimensions** (For mated connector lengths see page 187)



Note: all dimensions are in mm

**JBX1-12 - IP40** (12 x Ø 0.5mm)

**Receptacle Dust Cap**




Part number  
**JBXBR1**

**Plug Dust Cap**




Part number  
**JBXBF1**

**Grounding Washer**



Part number  
**JAXRA1251**


**Insulating Washer**




Part number	Color
<b>JBX1RIA</b>	Blue
<b>JBX1RIB</b>	White
<b>JBX1RIG</b>	Grey
<b>JBX1RIJ</b>	Yellow
<b>JBX1RIM</b>	Brown
<b>JBX1RIN</b>	Black
<b>JBX1RIR</b>	Red
<b>JBX1RIV</b>	Green
<b>JBX1RIO</b>	Orange

Note : Insulating washers are not compatible with the IP68 versions

**Protective Boot**

Available only for PC - FC - FD - SR, with back nut protective boot 



Part number	Color
<b>JBX1MPA</b>	Blue
<b>JBX1MPB</b>	White
<b>JBX1MPG</b>	Grey
<b>JBX1MPJ</b>	Yellow
<b>JBX1MPM</b>	Brown
<b>JBX1MPN</b>	Black
<b>JBX1MPR</b>	Red
<b>JBX1MPV</b>	Green
<b>JBX1MPO</b>	Orange

The overall length is 21 mm longer with the protective boot.  
Note: The protective boot is not a sealing element.



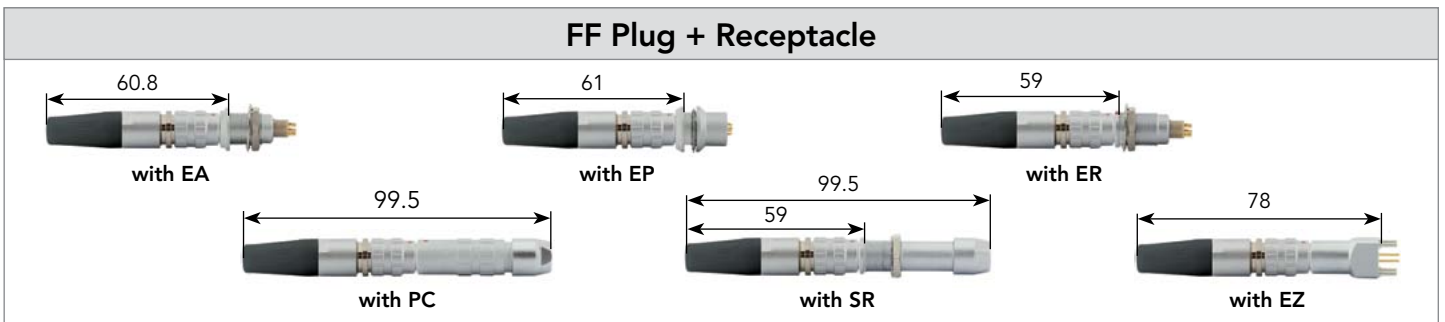
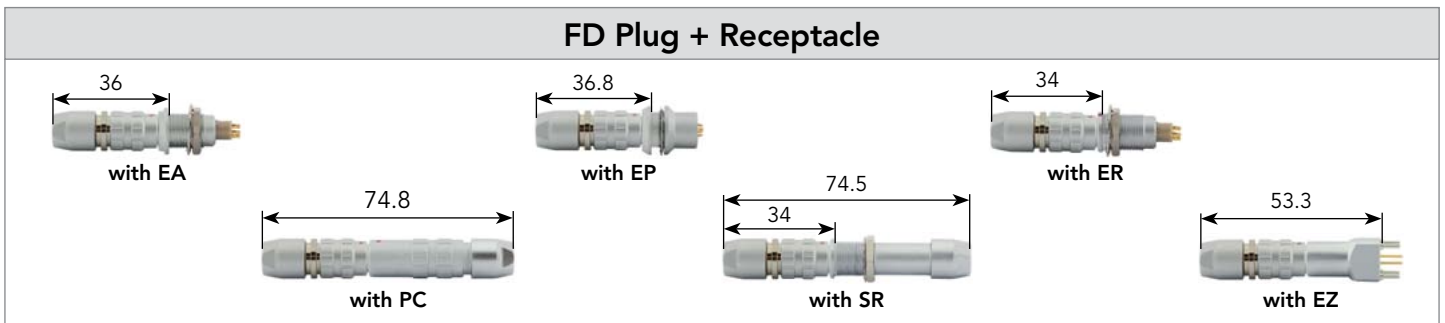
## JBX1-12 - IP40 (12 x Ø 0.5mm)

### Contacts

Ø 0.5 mm	Contact type	Plating	Contact locking type	AWG - Wire max.
Solder	Machined	0.5 µm gold over 3 to 5 µm Ni	Fixed	28
Straight PCB	Machined	0.5 µm gold over 3 to 5 µm Ni	Fixed	-

For more information see pages 231 and 233

### Mated Connector Length



### Electrical Characteristics

UL  
2.5A 170V UL94 V-0

Note: all dimensions are in mm

**JBX2-12 - IP40** (12 x Ø 0.7 mm) - See waterproof IP68 version page 190



**Connector Part Number**

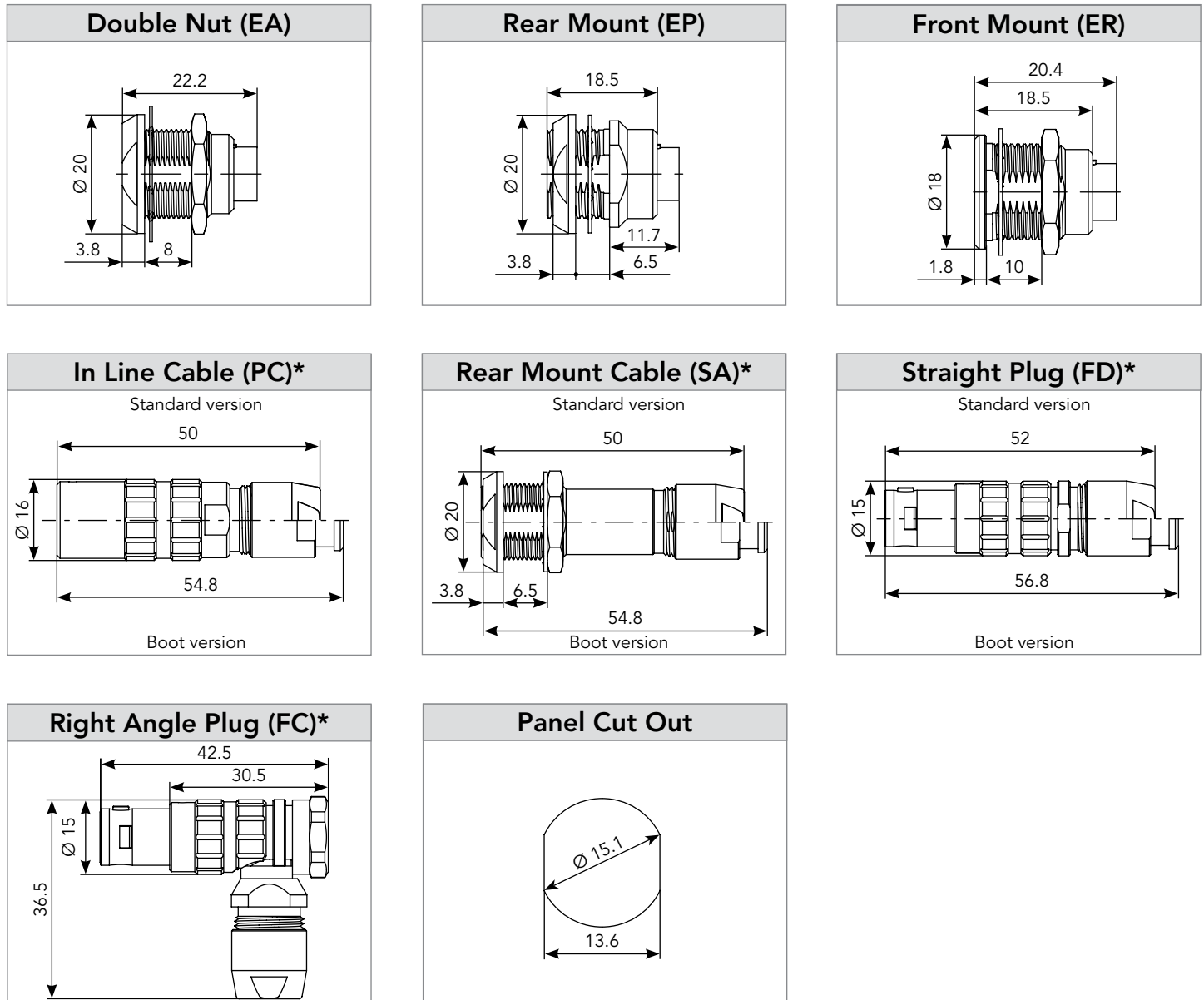
Contact type	Connector type	Description	Part number <sup>(1)</sup>	
			Male insert	Female insert
Solder contacts see page 193	Receptacle	Double nut (EA)	<b>JBXEA2G12MSSDS</b>	<b>JBXEA2G12FSSDS</b>
		Rear mount (EP)	<b>JBXEP2G12MSSDS</b>	<b>JBXEP2G12FSSDS</b>
		Front mount (ER)	<b>JBXER2G12MSSDSR</b>	<b>JBXER2G12FSSDSR</b>
		In line cable (PC) *	<b>JBXPC2G12MSSDSR</b>	<b>JBXPC2G12FSSDSR</b>
	Plug	Straight plug (FD) *	<b>JBXFD2G12MSSDSR</b>	<b>JBXFD2G12FSSDSR</b>
Crimp contacts see page 193	Receptacle	Double nut (EA)	<b>JBXEA2G12MCSDS</b>	<b>JBXEA2G12FCSDS</b>
		Rear mount (EP)	<b>JBXEP2G12MCSDS</b>	<b>JBXEP2G12FCSDS</b>
		Front mount (ER)	<b>JBXER2G12MCSDSR</b>	<b>JBXER2G12FCSDSR</b>
		In line cable (PC) *	<b>JBXPC2G12MCSDSR</b>	<b>JBXPC2G12FCSDSR</b>
		Rear mount cable (SA) *	<b>JBXSA2G12MCSDS</b>	<b>JBXSA2G12FCSDS</b>
	Plug	Right angle plug (FC) *	<b>JBXFC2G12MCSDSR</b>	<b>JBXFC2G12FCSDSR</b>
		Straight plug (FD) *	<b>JBXFD2G12MCSDSR</b>	<b>JBXFD2G12FCSDSR</b>
Straight PCB contacts see page 193	Receptacle	Double nut (EA)	<b>JBXEA2G12MPSDS</b>	<b>JBXEA2G12FPSDS</b>
		Rear mount (EP)	<b>JBXEP2G12MPSDS</b>	<b>JBXEP2G12FPSDS</b>
		Front mount (ER)	<b>JBXER2G12MPSDSR</b>	<b>JBXER2G12FPSDSR</b>
90° PCB contacts see page 193	Receptacle	Double nut (EA)	-	<b>JBXEA2G12FQSDS</b>
		Rear mount (EP)	-	<b>JBXEP2G12FQSDS</b>

\* In order to get the back nut for protective boot please add «M» after the last «S». Example: JBX Straight Plug, size 2, 12 solder contacts, male insert = JBXFD2G12MSSDSMR. ■ : First choice  
The protective boot need to be ordered separately, see page accessories.

(1): In order to get a black Chrome over Nickel please replace «S» before the «D» by one «N». Example: JBX Straight Plug, size 2, 12 solder contacts, male insert = JBXFD2G12MSNDSR.

**JBX2-12 - IP40** (12 x Ø 0.7 mm) - See waterproof IP68 version page 190

**Dimensions** (For mated connector lengths see page 193)



Note: all dimensions are in mm

**JBX2-12 - IP68** (12 x Ø 0.7 mm) - See non sealed IP40 version page 188



**Connector Part Number**

Contact type	Connector type	Description	Part number <sup>(1)</sup>	
			Male insert	Female insert
Solder contacts see page 193	Receptacle	Double nut, front or rear mount (EC)	<b>JBXEC2G12MSSDS</b>	<b>JBXEC2G12FSSDS</b>
		Front mount extended (HH) ☁	<b>JBXHH2G12MSSDSR</b>	<b>JBXHH2G12FSSDSR</b>
	Plug	Straight plug (FH) *	<b>JBXFH2G12MSSDSR</b>	<b>JBXFH2G12FSSDSR</b>
Crimp contacts see page 193	Receptacle	Double nut, front or rear mount (EC)	<b>JBXEC2G12MCSDS</b>	<b>JBXEC2G12FCSDS</b>
		Front mount extended (HH)	<b>JBXHH2G12MCSDSR</b>	<b>JBXHH2G12FCSDSR</b>
	Plug	Straight plug (FH) *	<b>JBXFH2G12MCSDSR</b>	<b>JBXFH2G12FCSDSR</b>
Straight PCB contacts see page 193	Receptacle	Double nut, front or rear mount (EC)	<b>JBXEC2G12MPSDS</b>	<b>JBXEC2G12FPSDS</b>

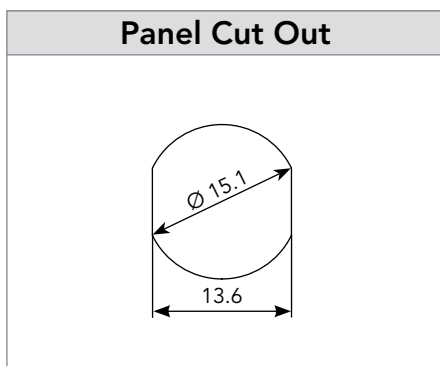
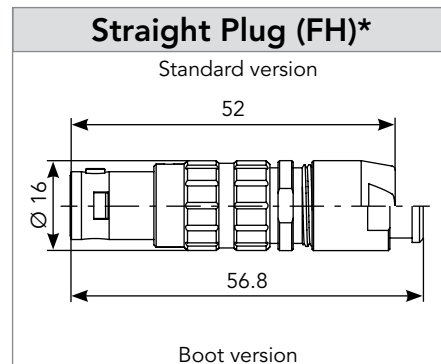
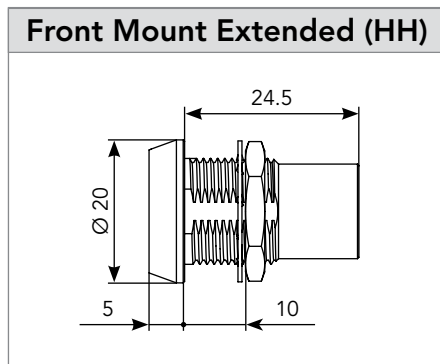
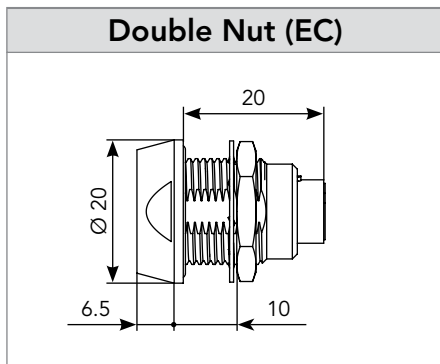
\* In order to get the back nut for protective boot please add «M» after the last «S». Example: JBX Straight Plug, size 2, 12 solder contacts, male insert = JBXFH2G12MSSDSMR. The protective boot need to be ordered separately, see page accessories.

1: In order to get a black Chrome over Nickel please replace «S» before the «D» by one «N». Example: JBX Straight Plug, size 2, 12 solder contacts, male insert = JBXFH2G12MSNDSR.

☁ : Sealed in Unmated Condition

**JBX2-12 - IP68** (12 x Ø 0.7 mm) - See non sealed IP40 version page 188

**Dimensions** (For mated connector lengths see page 193)



## JBX2-12 - IP40 & IP68 (12 x Ø 0.7 mm)

### Accessories

**Receptacle Dust Cap**




Part number
<b>JBXBR2</b>

**Plug Dust Cap**




Part number
<b>JBXBF2</b>

**Grounding Washer**



Part number
<b>JAXRA2252</b>

**Insulating Washer**



Part number	Color
<b>JBX2RIA</b>	Blue
<b>JBX2RIB</b>	White
<b>JBX2RIG</b>	Grey
<b>JBX2RIJ</b>	Yellow
<b>JBX2RIM</b>	Brown
<b>JBX2RIN</b>	Black
<b>JBX2RIR</b>	Red
<b>JBX2RIV</b>	Green
<b>JBX2RIO</b>	Orange

Note : Insulating washers are not compatible with the IP68 versions

**Protective Boot**

Available only for PC - FC - FD - SA, FH, with back nut protective boot 



Part number	Color
<b>JBX2MPA</b>	Blue
<b>JBX2MPB</b>	White
<b>JBX2MPG</b>	Grey
<b>JBX2MPJ</b>	Yellow
<b>JBX2MPM</b>	Brown
<b>JBX2MPN</b>	Black
<b>JBX2MPR</b>	Red
<b>JBX2MPV</b>	Green
<b>JBX2MPO</b>	Orange

The overall length is 25 mm longer with the protective boot.  
Note: The protective boot is not a sealing element.


### Tooling

**Crimp Tooling**



Part number
<b>MIL-22520/7-01</b>

**Locator**



Part number	
Male	Female
<b>JBX20UTLP07</b>	<b>JBX20UTLS07</b>

**Extraction Tool**



Part number
<b>JBXOUTDC07</b>

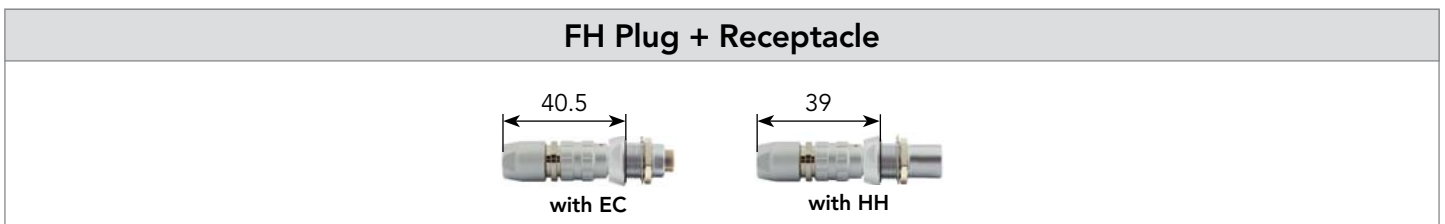
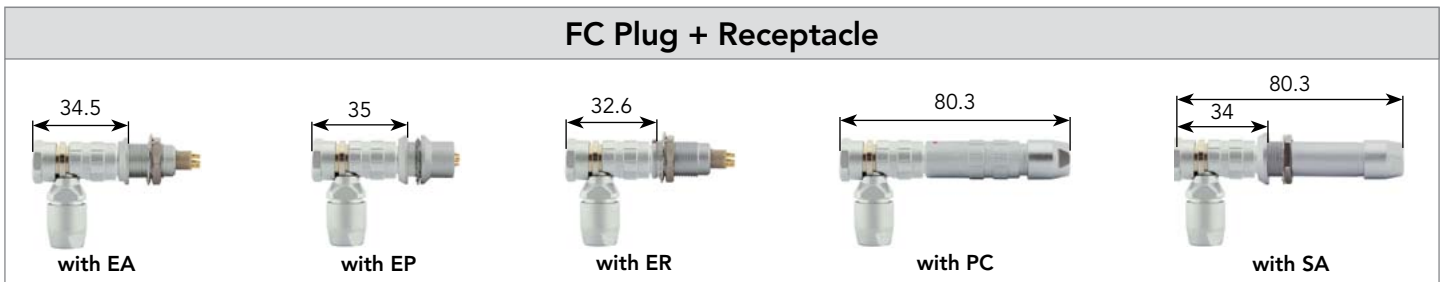
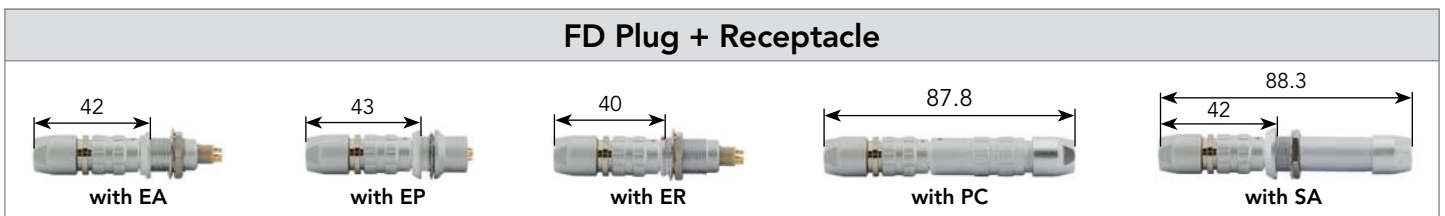
## JBX2-12 - IP40 & IP68 (12 x Ø 0.7 mm)

### Contacts

Ø 0.7 mm	Contact type	Plating	Contact locking type	AWG
Solder	Machined	0.5 µm gold over 3 to 5 µm Ni	Fixed	22
Crimp	Machined	0.5 µm gold over 3 to 5 µm Ni	Removable	22 - 24 - 26
Straight PCB	Machined	0.5 µm gold over 3 to 5 µm Ni	Fixed	-
90° PCB	Machined	0.5 µm gold over 3 to 5 µm Ni	Removable	-

For more information see pages 231 to 234

### Mated Connector Length



Electrical Characteristics
<p><b>UL</b> 7A 830V UL94 V-0</p>

Note: all dimensions are in mm

**JBX3-14 - IP40 (14 x Ø 0.9 mm)**



**Connector Part Number**

Contact type	Connector type	Description	Part number <sup>(1)</sup>	
			Male insert	Female insert
Solder contacts see page 197	Receptacle	Double nut (EA)	<b>JBXEA3G14MSSDS</b>	<b>JBXEA3G14FSSDS</b>
		Front mount (ER)	<b>JBXER3G14MSSDSR</b>	<b>JBXER3G14FSSDSR</b>
		Front mount cable (SR) *	<b>JBXSR3G14MSSDSR</b>	<b>JBXSR3G14FSSDSR</b>
	Plug	Straight plug (FD) *	<b>JBXFD3G14MSSDSR</b>	<b>JBXFD3G14FSSDSR</b>
Crimp contacts see page 197	Receptacle	Double nut (EA)	<b>JBXEA3G14MCSDS</b>	<b>JBXEA3G14FCSDS</b>
		Front mount (ER)	<b>JBXER3G14MCSDSR</b>	<b>JBXER3G14FCSDSR</b>
	Plug	Right angle plug (FC) *	<b>JBXFC3G14MCSDSR</b>	<b>JBXFC3G14FCSDSR</b>
		Straight plug (FD) *	<b>JBXFD3G14MCSDSR</b>	<b>JBXFD3G14FCSDSR</b>
Straight PCB contacts see page 197	Receptacle	Double nut (EA)	-	<b>JBXEA3G14FPSDS</b>

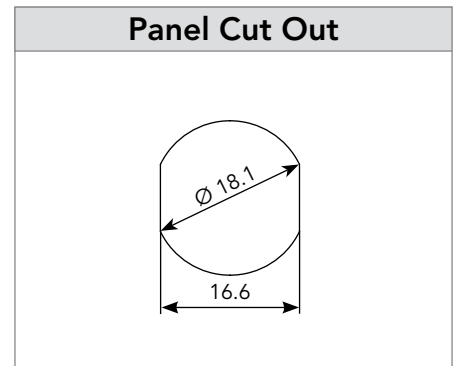
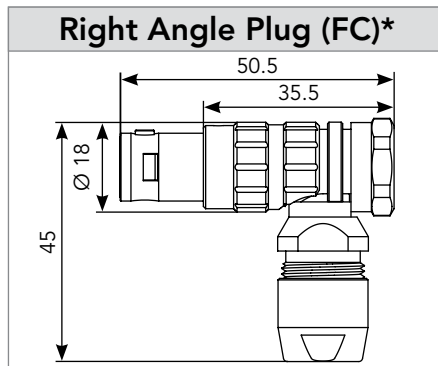
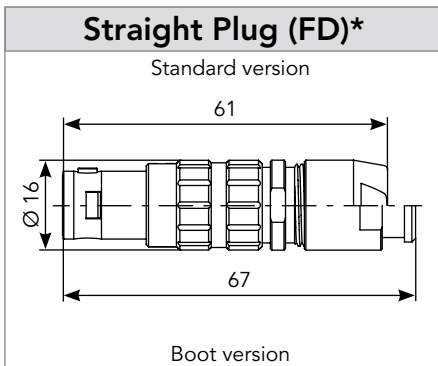
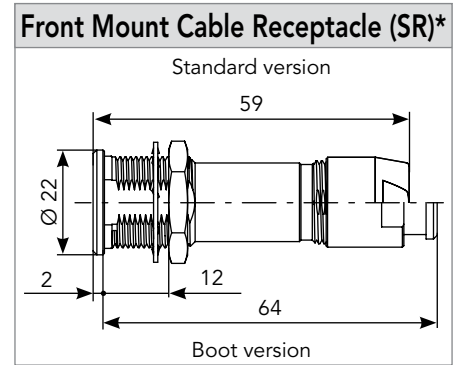
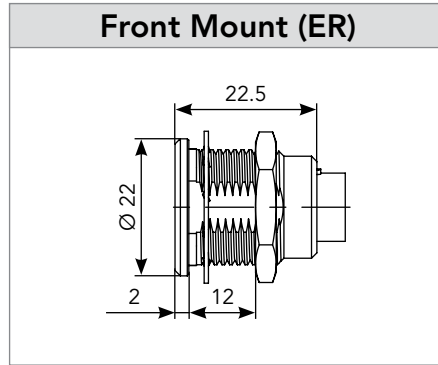
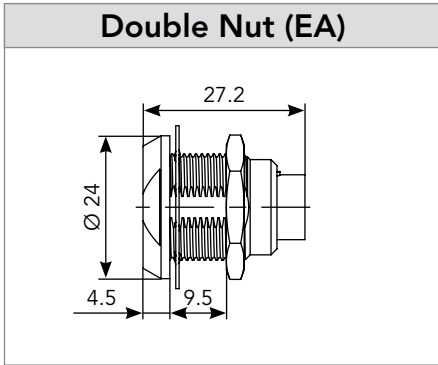
\* In order to get the back nut for protective boot please add «M» after the last «S». Example: JBX Straight Plug, size 3, 14 solder contacts, male insert = JBXFD3G14MSSDSMR. ■ : First choice  
The protective boot need to be ordered separately, see page accessories.

1: In order to get a black Chrome over Nickel please replace «S» before the «D» by one «N». Example: JBX Straight Plug, size 3, 14 solder contacts, male insert = JBXFD3G14MSNDSR.



**JBX3-14 - IP40** (14 x Ø 0.9 mm)

**Dimensions** (For mated connector lengths see page 197)



**JBX3-14 - IP40** (10 x Ø 0.9 mm)

**Accessories**

**Receptacle Dust Cap**




Part number
<b>JBXBR3</b>

**Plug Dust Cap**




Part number
<b>JBXBF3</b>

**Grounding Washer**



Part number
<b>JAXRA3252</b>

**Insulating Washer**



Part number	Color
<b>JBX3RIA</b>	Blue
<b>JBX3RIB</b>	White
<b>JBX3RIG</b>	Grey
<b>JBX3RIJ</b>	Yellow
<b>JBX3RIM</b>	Brown
<b>JBX3RIN</b>	Black
<b>JBX3RIR</b>	Red
<b>JBX3RIV</b>	Green
<b>JBX3RIO</b>	Orange

Note : Insulating washers are not compatible with the IP68 versions

**Protective Boot**

Available only for FC - FD - SR, with back nut protective boot 



Part number	Color
<b>JBX3MPA</b>	Blue
<b>JBX3MPB</b>	White
<b>JBX3MPG</b>	Grey
<b>JBX3MPJ</b>	Yellow
<b>JBX3MPM</b>	Brown
<b>JBX3MPN</b>	Black
<b>JBX3MPR</b>	Red
<b>JBX3MPV</b>	Green
<b>JBX3MPO</b>	Orange

The overall length is 28.5 mm longer with the protective boot.  
Note: The protective boot is not a sealing element.


**Tooling**

**Crimp Tooling**



Part number
<b>MIL-22520/7-01</b>

**Locator**



Part number	
Male	Female
<b>JBX3OUTLP09</b>	<b>JBX3OUTLS09</b>

**Extraction Tool**



Part number
<b>JBXOUTDC09</b>

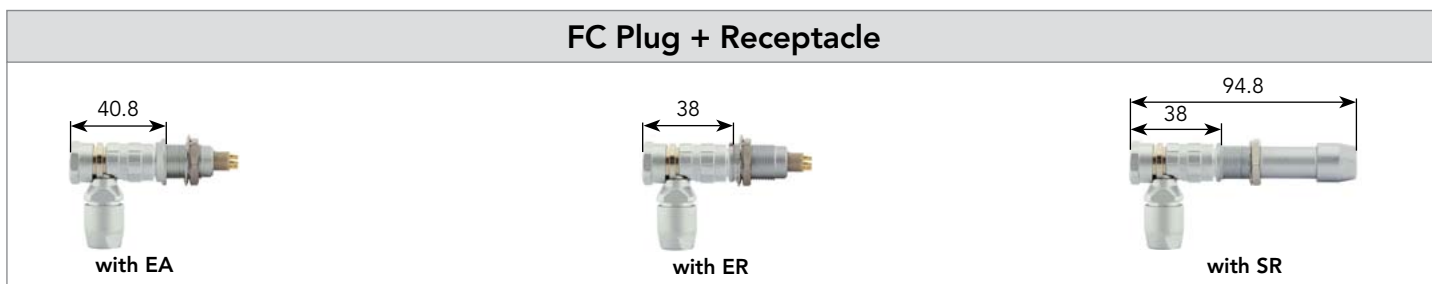
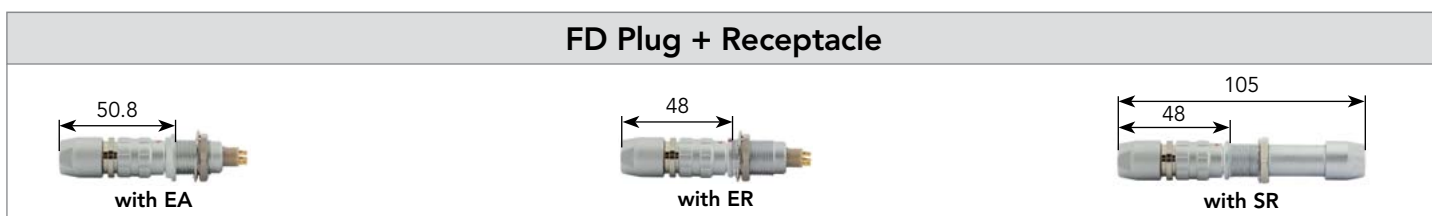
## JBX3-14 - IP40 (10 x Ø 0.9 mm)

### Contacts

Ø 0.9 mm	Contact type	Plating	Contact locking type	AWG
Solder	Machined	0.5 µm gold over 3 to 5 µm Ni	Removable	24
Crimp	Machined	0.5 µm gold over 3 to 5 µm Ni	Removable	20 - 22 - 24
Straight PCB	Machined	0.5 µm gold over 3 to 5 µm Ni	Fixed	-

For more information see pages 231 to 233

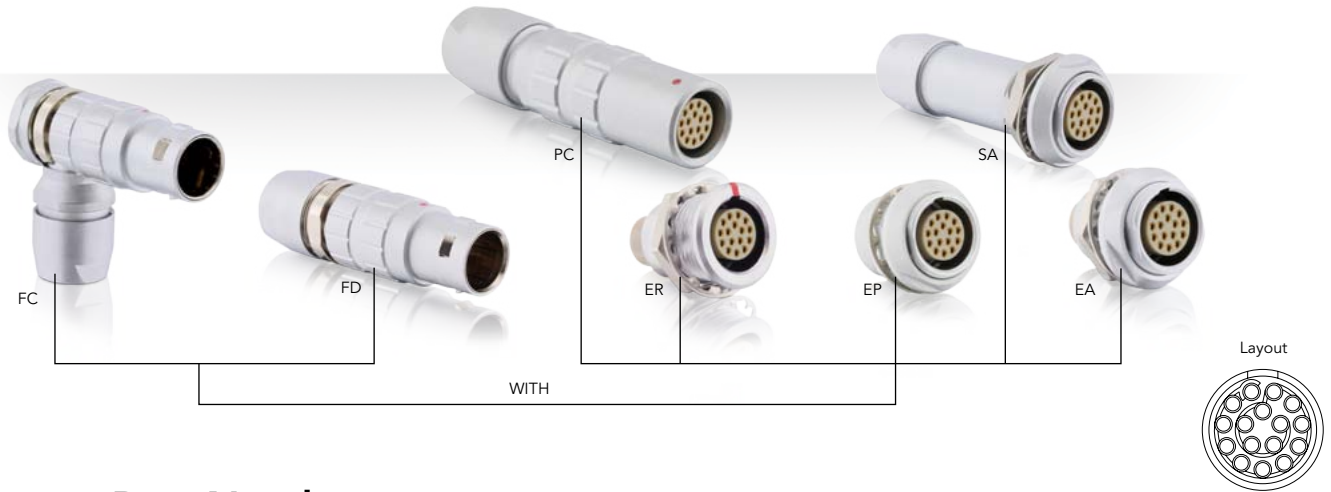
### Mated Connector Length



Electrical Characteristics
<p><b>UL</b> 9A 830V UL94 V-0</p>

Note: all dimensions are in mm

**JBX2-16 - IP40** (16 x Ø 0.7 mm) - See waterproof IP68 version page 200



**Connector Part Number**

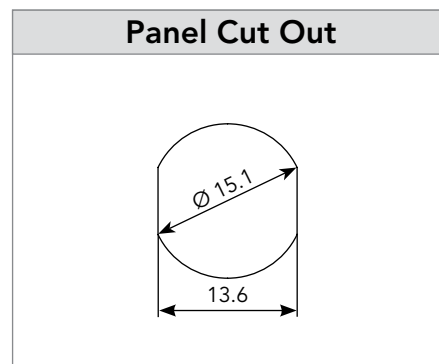
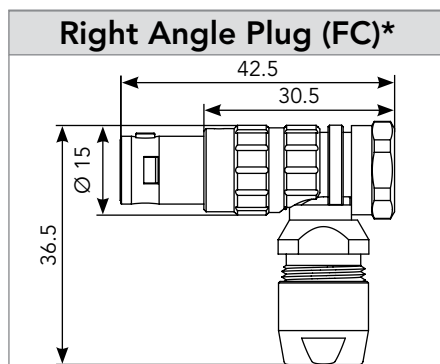
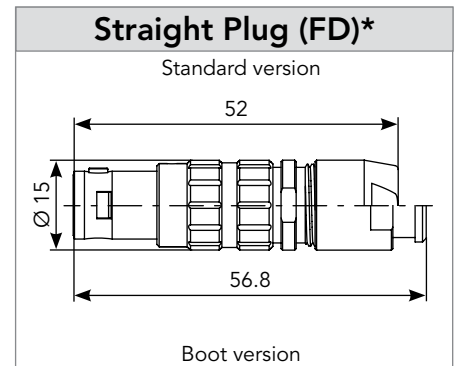
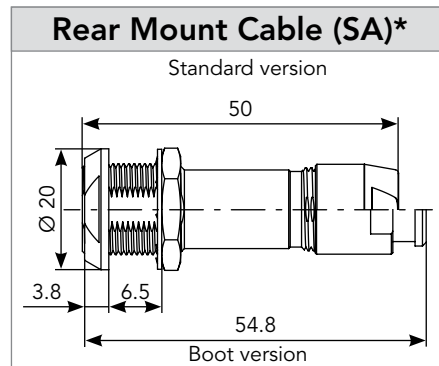
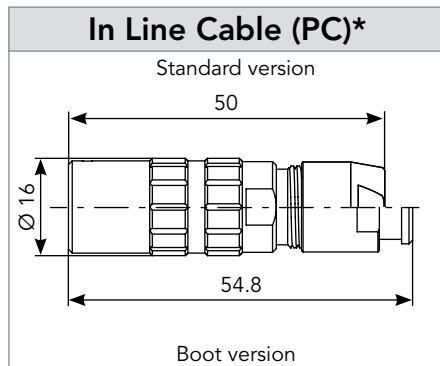
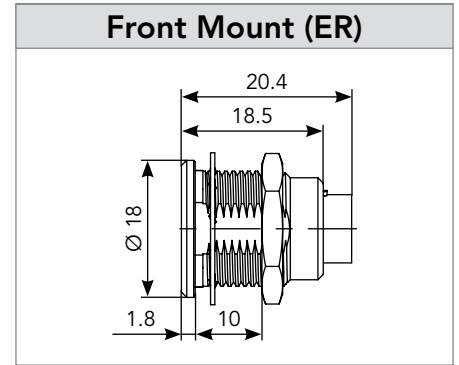
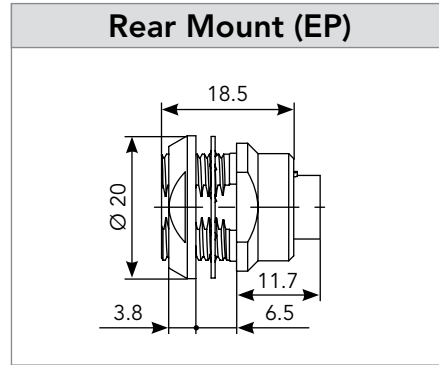
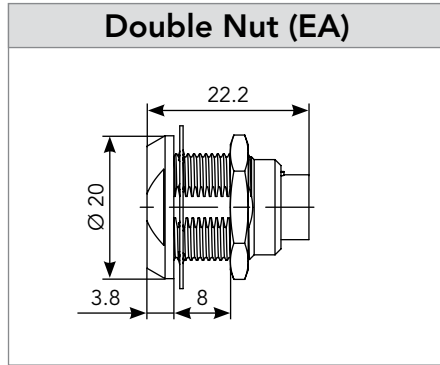
Contact type	Connector type	Description	Part number <sup>(1)</sup>	
			Male insert	Female insert
Solder contacts see page 203	Receptacle	Double nut (EA)	<b>JBXEA2G16MSSDS</b>	<b>JBXEA2G16FSSDS</b>
		Rear mount (EP)	<b>JBXEP2G16MSSDS</b>	<b>JBXEP2G16FSSDS</b>
		Front mount (ER)	<b>JBXER2G16MSSDSR</b>	<b>JBXER2G16FSSDSR</b>
		In line cable (PC) *	<b>JBXPC2G16MSSDSR</b>	<b>JBXPC2G16FSSDSR</b>
	Plug	Straight plug (FD) *	<b>JBXFD2G16MSSDSR</b>	<b>JBXFD2G16FSSDSR</b>
Crimp contacts see page 203	Receptacle	Double nut (EA)	<b>JBXEA2G16MCSDS</b>	<b>JBXEA2G16FCSDS</b>
		Rear mount (EP)	<b>JBXEP2G16MCSDS</b>	<b>JBXEP2G16FCSDS</b>
		Front mount (ER)	<b>JBXER2G16MCSDSR</b>	<b>JBXER2G16FCSDSR</b>
		In line cable (PC) *	<b>JBXPC2G16MCSDSR</b>	<b>JBXPC2G16FCSDSR</b>
		Rear mount cable (SA) *	<b>JBXSA2G16MCSDS</b>	<b>JBXSA2G16FCSDS</b>
	Plug	Right angle plug (FC) *	<b>JBXFC2G16MCSDSR</b>	<b>JBXFC2G16FCSDSR</b>
		Straight plug (FD) *	<b>JBXFD2G16MCSDSR</b>	<b>JBXFD2G16FCSDSR</b>
Straight PCB contacts see page 203	Receptacle	Double nut (EA)	<b>JBXEA2G16MPSDS</b>	<b>JBXEA2G16FPSDS</b>
		Rear mount (EP)	<b>JBXEP2G16MPSDS</b>	<b>JBXEP2G16FPSDS</b>
		Front mount (ER)	<b>JBXER2G16MPSDSR</b>	<b>JBXER2G16FPSDSR</b>
90° PCB contacts see page 203	Receptacle	Double nut (EA)	-	<b>JBXEA2G16FQSDS</b>
		Rear mount (EP)	-	<b>JBXEP2G16FQSDS</b>

\* In order to get the back nut for protective boot please add «M» after the last «S». Example: JBX Straight Plug, size 2, 16 solder contacts, male insert = JBXFD2G16MSSDSMR.   : First choice  
The protective boot need to be ordered separately, see page accessories.

(1): In order to get a black Chrome over Nickel please replace «S» before the «D» by one «N». Example: JBX Straight Plug, size 2, 16 solder contacts, male insert = JBXFD2G16MSNDSR.

**JBX2-16 - IP40** (16 x Ø 0.7 mm) - See waterproof IP68 version page 200

**Dimensions** (For mated connector lengths see page 203)



Note: all dimensions are in mm

**JBX2-16 - IP68** (16 x Ø 0.7 mm) - See non sealed IP40 version page 198



**Connector Part Number**

Contact type	Connector type	Description	Part number <sup>(1)</sup>	
			Male insert	Female insert
Solder contacts see page 203	Receptacle	Double nut, front or rear mount (EC)	<b>JBXEC2G16MSSDS</b>	<b>JBXEC2G16FSSDS</b>
		Front mount extended (HH) ☁	<b>JBXHH2G16MSSDSR</b>	<b>JBXHH2G16FSSDSR</b>
	Plug	Straight plug (FH) *	<b>JBXFH2G16MSSDSR</b>	<b>JBXFH2G16FSSDSR</b>
Crimp contacts see page 203	Receptacle	Double nut, front or rear mount (EC)	<b>JBXEC2G16MCSDS</b>	<b>JBXEC2G16FCSDS</b>
		Front mount extended (HH)	<b>JBXHH2G16MCSDSR</b>	<b>JBXHH2G16FCSDSR</b>
	Plug	Straight plug (FH) *	<b>JBXFH2G16MCSDSR</b>	<b>JBXFH2G16FCSDSR</b>
Straight PCB contacts see page 203	Receptacle	Double nut, front or rear mount (EC)	<b>JBXEC2G16MPSDS</b>	<b>JBXEC2G16FPSDS</b>

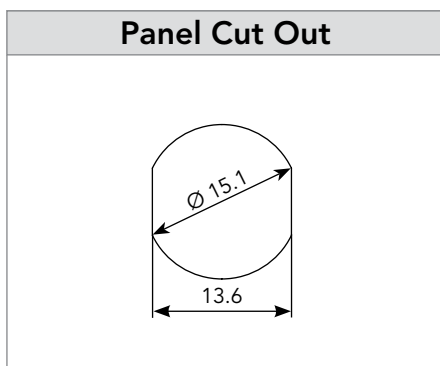
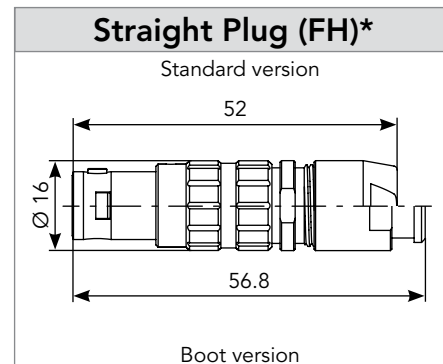
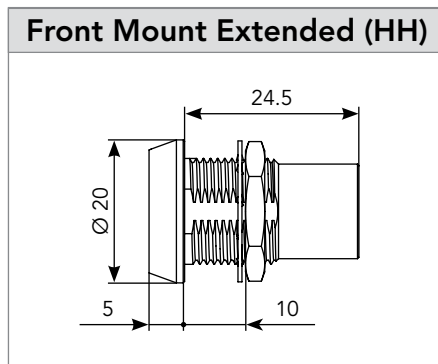
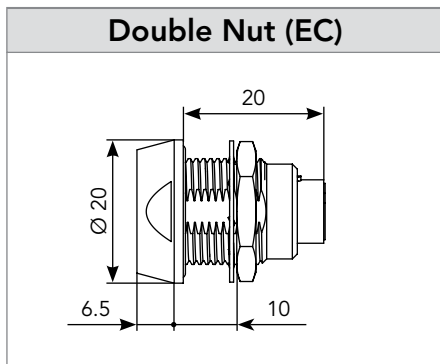
\* In order to get the back nut for protective boot please add «M» after the last «S». Example: JBX Straight Plug, size 2, 16 solder contacts, male insert = JBXFH2G16MSSDSMR. ☐ : First choice  
 The protective boot need to be ordered separately, see page accessories.

1: In order to get a black Chrome over Nickel please replace «S» before the «D» by one «N». Example: JBX Straight Plug, size 2, 16 solder contacts, male insert = JBXFH2G16MSNDSR.

☁ : Sealed in Unmated Condition

**JBX2-16 - IP68** (16 x Ø 0.7 mm) - See non sealed IP40 version page 198

**Dimensions** (For mated connector lengths see page 203)



Note: all dimensions are in mm

## JBX2-16 - IP40 & IP68 (16 x Ø 0.7 mm)

### Accessories

**Receptacle Dust Cap**




Part number
<b>JBXBR2</b>

**Plug Dust Cap**




Part number
<b>JBXBF2</b>

**Grounding Washer**



Part number
<b>JAXRA2252</b>

**Insulating Washer**



Part number	Color
<b>JBX2RIA</b>	Blue
<b>JBX2RIB</b>	White
<b>JBX2RIG</b>	Grey
<b>JBX2RIJ</b>	Yellow
<b>JBX2RIM</b>	Brown
<b>JBX2RIN</b>	Black
<b>JBX2RIR</b>	Red
<b>JBX2RIV</b>	Green
<b>JBX2RIO</b>	Orange

Note : Insulating washers are not compatible with the IP68 versions

**Protective Boot**

Available only for PC - FC - FD - SA, FH, with back nut protective boot 



Part number	Color
<b>JBX2MPA</b>	Blue
<b>JBX2MPB</b>	White
<b>JBX2MPG</b>	Grey
<b>JBX2MPJ</b>	Yellow
<b>JBX2MPM</b>	Brown
<b>JBX2MPN</b>	Black
<b>JBX2MPR</b>	Red
<b>JBX2MPV</b>	Green
<b>JBX2MPO</b>	Orange

The overall length is 25 mm longer with the protective boot.  
Note: The protective boot is not a sealing element.


### Tooling

**Crimp Tooling**



Part number
<b>MIL-22520/7-01</b>

**Locator**



Part number	
Male	Female
<b>JBX20UTLP07</b>	<b>JBX20UTLS07</b>

**Extraction Tool**



Part number
<b>JBXOUTDC07</b>



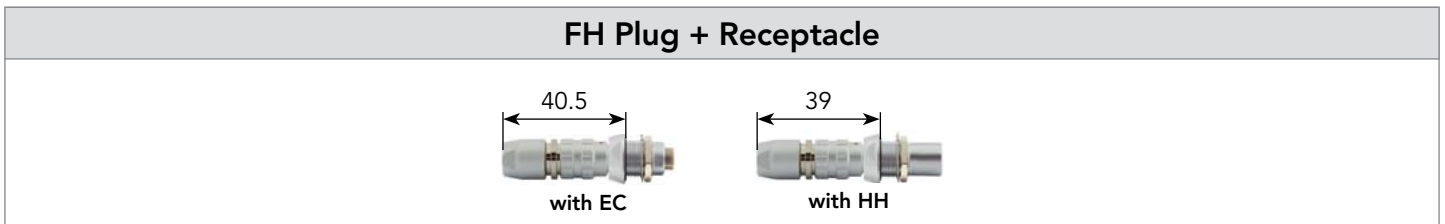
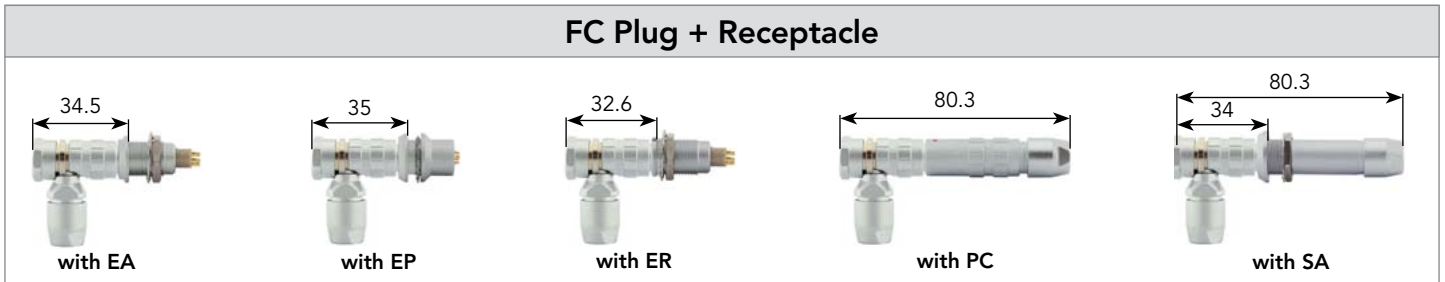
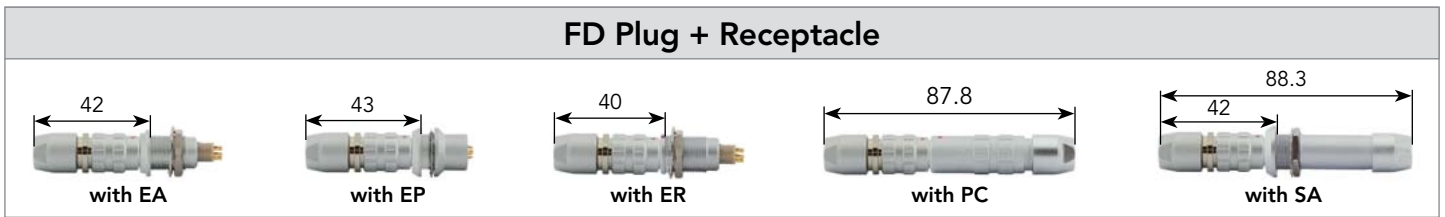
## JBX2-16 - IP40 & IP68 (16 x Ø 0.7 mm)

### Contacts

Ø 0.7 mm	Contact type	Plating	Contact locking type	AWG
Solder	Machined	0.5 µm gold over 3 to 5 µm Ni	Fixed	22
Crimp	Machined	0.5 µm gold over 3 to 5 µm Ni	Removable	22 - 24 - 26
Straight PCB	Machined	0.5 µm gold over 3 to 5 µm Ni	Fixed	-
90° PCB	Machined	0.5 µm gold over 3 to 5 µm Ni	Removable	-

For more information see pages 231 to 234

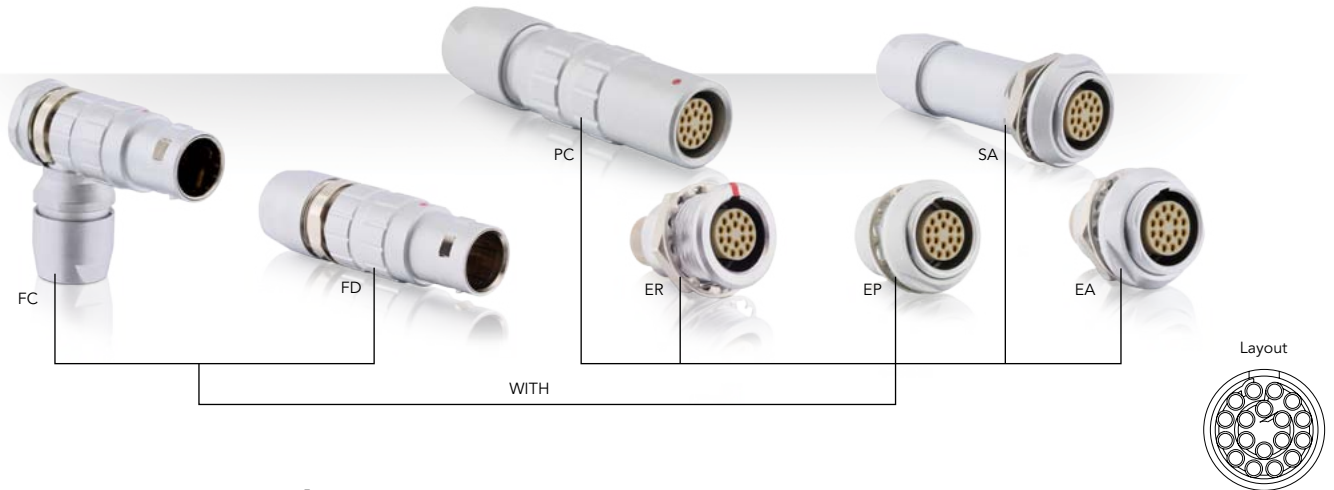
### Mated Connector Length



Electrical Characteristics
<p><b>UL</b> 6A 730V UL94 V-0</p>

Note: all dimensions are in mm

**JBX2-18 - IP40** (18 x Ø 0.7 mm) - See waterproof IP68 version page 206



**Connector Part Number**

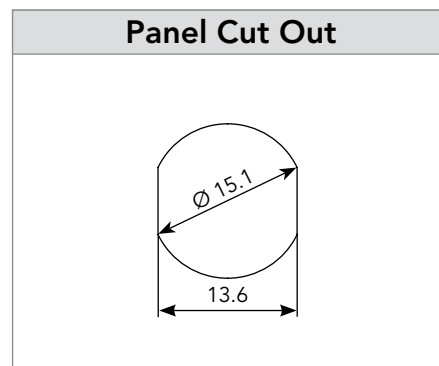
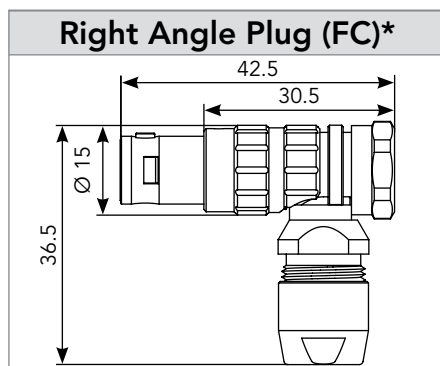
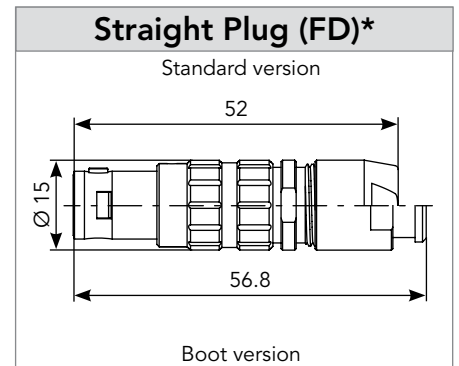
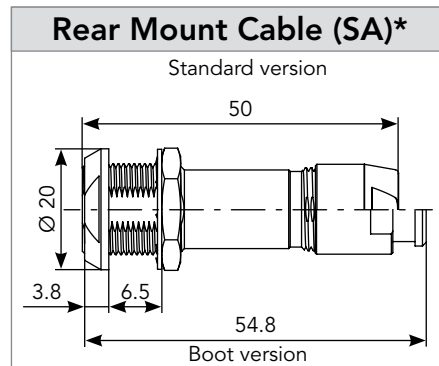
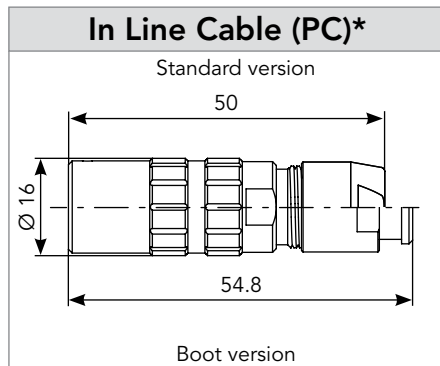
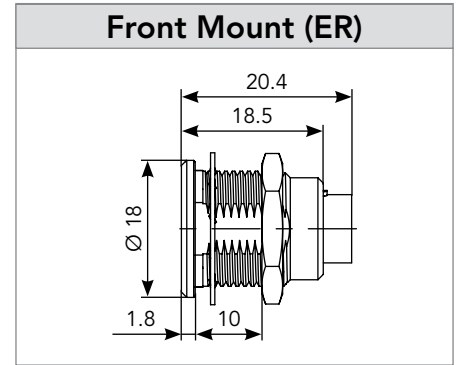
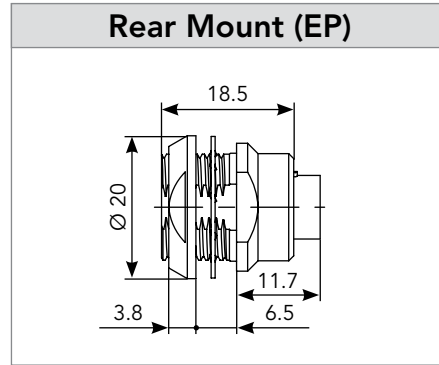
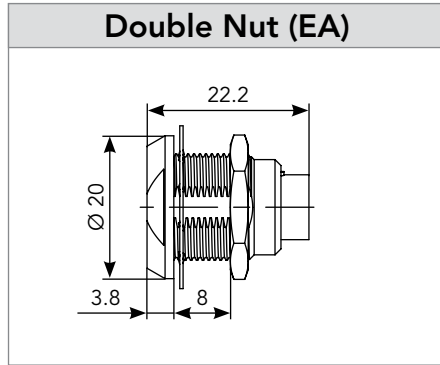
Contact type	Connector type	Description	Part number <sup>(1)</sup>	
			Male insert	Female insert
Solder contacts see page 209	Receptacle	Double nut (EA)	<b>JBXEA2G18MSSDS</b>	<b>JBXEA2G18FSSDS</b>
		Rear mount (EP)	<b>JBXEP2G18MSSDS</b>	<b>JBXEP2G18FSSDS</b>
		Front mount (ER)	<b>JBXER2G18MSSDSR</b>	<b>JBXER2G18FSSDSR</b>
		In line cable (PC) *	<b>JBXPC2G18MSSDSR</b>	<b>JBXPC2G18FSSDSR</b>
	Plug	Straight plug (FD) *	<b>JBXFD2G18MSSDSR</b>	<b>JBXFD2G18FSSDSR</b>
Crimp contacts see page 209	Receptacle	Double nut (EA)	<b>JBXEA2G18MCSDS</b>	<b>JBXEA2G18FCSDS</b>
		Rear mount (EP)	<b>JBXEP2G18MCSDS</b>	<b>JBXEP2G18FCSDS</b>
		Front mount (ER)	<b>JBXER2G18MCSDSR</b>	<b>JBXER2G18FCSDSR</b>
		In line cable (PC) *	<b>JBXPC2G18MCSDSR</b>	<b>JBXPC2G18FCSDSR</b>
		Rear mount cable (SA) *	<b>JBXSA2G18MCSDS</b>	<b>JBXSA2G18FCSDS</b>
	Plug	Right angle plug (FC) *	<b>JBXFC2G18MCSDSR</b>	<b>JBXFC2G18FCSDSR</b>
		Straight plug (FD) *	<b>JBXFD2G18MCSDSR</b>	<b>JBXFD2G18FCSDSR</b>
Straight PCB contacts see page 209	Receptacle	Double nut (EA)	<b>JBXEA2G18MPSDS</b>	<b>JBXEA2G18FPSDS</b>
		Rear mount (EP)	<b>JBXEP2G18MPSDS</b>	<b>JBXEP2G18FPSDS</b>
		Front mount (ER)	<b>JBXER2G18MPSDSR</b>	<b>JBXER2G18FPSDSR</b>

\* In order to get the back nut for protective boot please add «M» after the last «S». Example: JBX Straight Plug, size 2, 18 solder contacts, male insert = JBXFD2G18MSSDSMR.   : First choice  
The protective boot need to be ordered separately, see page accessories.

(1): In order to get a black Chrome over Nickel please replace «S» before the «D» by one «N». Example: JBX Straight Plug, size 2, 18 solder contacts, male insert = JBXFD2G18MSNDSR.

**JBX2-18 - IP40** (18 x Ø 0.7 mm) - See waterproof IP68 version page 206

**Dimensions** (For mated connector lengths see page 209)



Connector

Note: all dimensions are in mm

**JBX2-18 - IP68** (18 x Ø 0.7 mm) - See non sealed IP40 version page 204



**Connector Part Number**

Contact type	Connector type	Description	Part number <sup>(1)</sup>	
			Male insert	Female insert
Solder contacts see page 209	Receptacle	Double nut, front or rear mount (EC)	<b>JBXEC2G18MSSDS</b>	<b>JBXEC2G18FSSDS</b>
		Front mount extended (HH) ☁	<b>JBXHH2G18MSSDSR</b>	<b>JBXHH2G18FSSDSR</b>
	Plug	Straight plug (FH) *	<b>JBXFH2G18MSSDSR</b>	<b>JBXFH2G18FSSDSR</b>
Crimp contacts see page 209	Receptacle	Double nut, front or rear mount (EC)	<b>JBXEC2G18MCSDS</b>	<b>JBXEC2G18FCSDS</b>
		Front mount extended (HH)	<b>JBXHH2G18MCSDSR</b>	<b>JBXHH2G18FCSDSR</b>
	Plug	Straight plug (FH) *	<b>JBXFH2G18MCSDSR</b>	<b>JBXFH2G18FCSDSR</b>
Straight PCB contacts see page 209	Receptacle	Double nut, front or rear mount (EC)	<b>JBXEC2G18MPSDS</b>	<b>JBXEC2G18FPSDS</b>

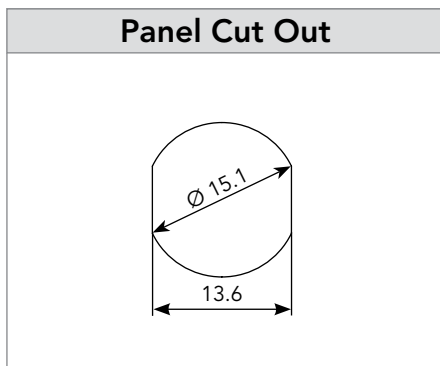
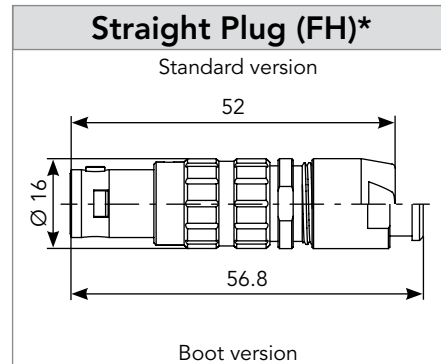
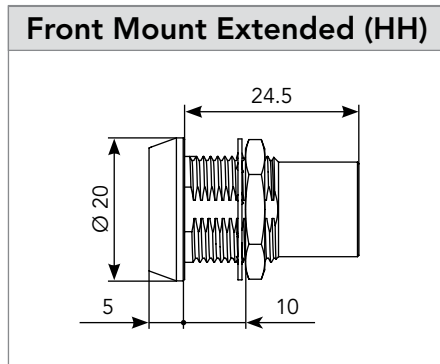
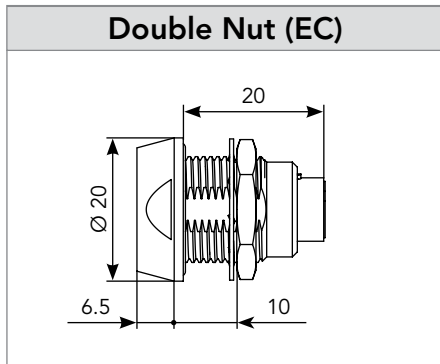
\* In order to get the back nut for protective boot please add «M» after the last «S». Example: JBX Straight Plug, size 2, 18 solder contacts, male insert = JBXFH2G18MSSDSMR. The protective boot need to be ordered separately, see page accessories.

1: In order to get a black Chrome over Nickel please replace «S» before the «D» by one «N». Example: JBX Straight Plug, size 2, 18 solder contacts, male insert = JBXFH2G18MSNDSR.

☁ : Sealed in Unmated Condition

**JBX2-18 - IP68** (18 x Ø 0.7 mm) - See non sealed IP40 version page 204

**Dimensions** (For mated connector lengths see page 209)



## JBX2-18 - IP40 & IP68 (18 x Ø 0.7 mm)

### Accessories

**Receptacle Dust Cap**




Part number
<b>JBXBR2</b>

**Plug Dust Cap**




Part number
<b>JBXBF2</b>

**Grounding Washer**



Part number
<b>JAXRA2252</b>

**Insulating Washer**



Part number	Color
<b>JBX2RIA</b>	Blue
<b>JBX2RIB</b>	White
<b>JBX2RIG</b>	Grey
<b>JBX2RIJ</b>	Yellow
<b>JBX2RIM</b>	Brown
<b>JBX2RIN</b>	Black
<b>JBX2RIR</b>	Red
<b>JBX2RIV</b>	Green
<b>JBX2RIO</b>	Orange

Note : Insulating washers are not compatible with the IP68 versions

**Protective Boot**

Available only for PC - FC - FD - SA, FH, with back nut protective boot 



Part number	Color
<b>JBX2MPA</b>	Blue
<b>JBX2MPB</b>	White
<b>JBX2MPG</b>	Grey
<b>JBX2MPJ</b>	Yellow
<b>JBX2MPM</b>	Brown
<b>JBX2MPN</b>	Black
<b>JBX2MPR</b>	Red
<b>JBX2MPV</b>	Green
<b>JBX2MPO</b>	Orange

The overall length is 25 mm longer with the protective boot.  
Note: The protective boot is not a sealing element.


### Tooling

**Crimp Tooling**



Part number
<b>MIL-22520/7-01</b>

**Locator**



Part number	
Male	Female
<b>JBX20UTLP07</b>	<b>JBX20UTLS07</b>

**Extraction Tool**



Part number
<b>JBXOUTDC07</b>

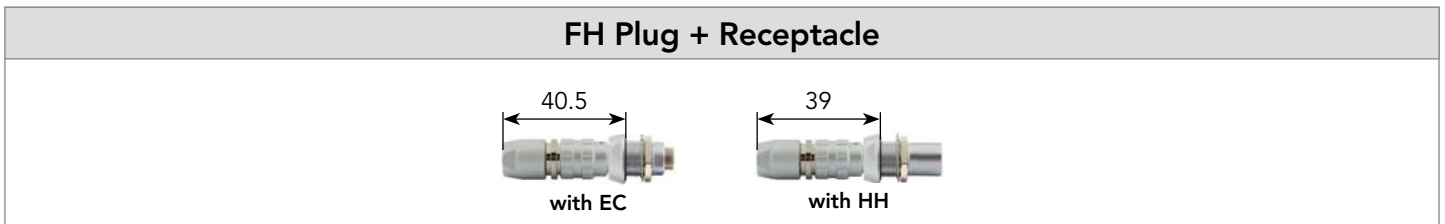
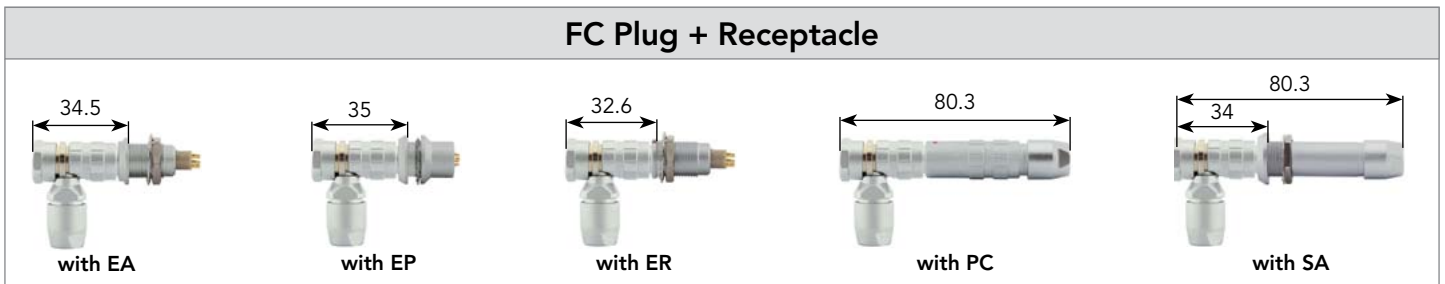
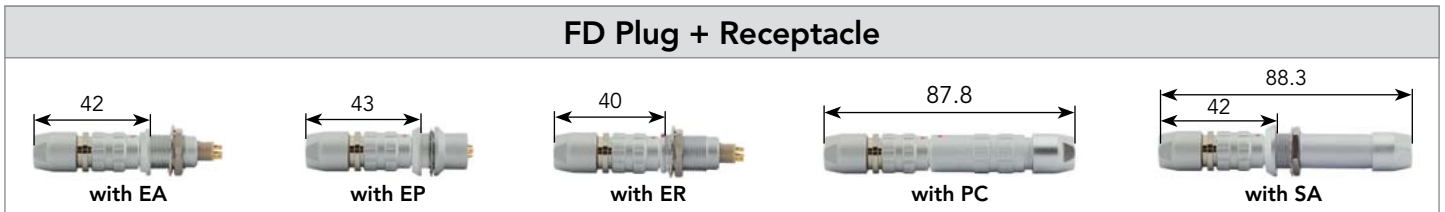
## JBX2-18 - IP40 & IP68 (18 x Ø 0.7 mm)

### Contacts

Ø 0.7 mm	Contact type	Plating	Contact locking type	AWG
Solder	Machined	0.5 µm gold over 3 to 5 µm Ni	Fixed	22
Crimp	Machined	0.5 µm gold over 3 to 5 µm Ni	Removable	22 - 24 - 26
Straight PCB	Machined	0.5 µm gold over 3 to 5 µm Ni	Fixed	-

For more information see pages 231 to 233

### Mated Connector Length



**Electrical Characteristics**

**UL**  
5.5A 660V UL94 V-0

Note: all dimensions are in mm

**JBX3-18 - IP40** (18 x Ø 0.9 mm)



**Connector Part Number**

Contact type	Connector type	Description	Part number <sup>(1)</sup>	
			Male insert	Female insert
Solder contacts see page 213	Receptacle	Double nut (EA)	<b>JBXEA3G18MSSDS</b>	<b>JBXEA3G18FSSDS</b>
		Front mount (ER)	<b>JBXER3G18MSSDSR</b>	<b>JBXER3G18FSSDSR</b>
		Front mount cable (SR) *	<b>JBXSR3G18MSSDSR</b>	<b>JBXSR3G18FSSDSR</b>
	Plug	Straight plug (FD) *	<b>JBXFD3G18MSSDSR</b>	<b>JBXFD3G18FSSDSR</b>
Crimp contacts see page 213	Receptacle	Double nut (EA)	<b>JBXEA3G18MCSDS</b>	<b>JBXEA3G18FCSDS</b>
		Front mount (ER)	<b>JBXER3G18MCSDSR</b>	<b>JBXER3G18FCSDSR</b>
	Plug	Right angle plug (FC) *	<b>JBXFC3G18MCSDSR</b>	<b>JBXFC3G18FCSDSR</b>
		Straight plug (FD) *	<b>JBXFD3G18MCSDSR</b>	<b>JBXFD3G18FCSDSR</b>
Straight PCB contacts see page 213	Receptacle	Double nut (EA)	-	<b>JBXEA3G18FPSDS</b>

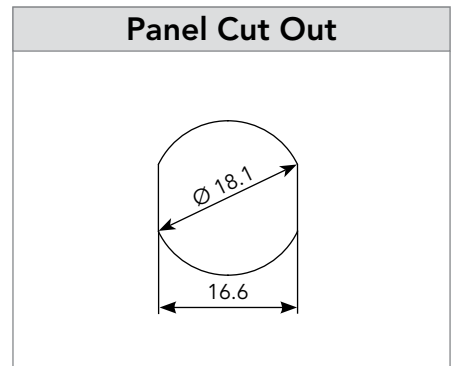
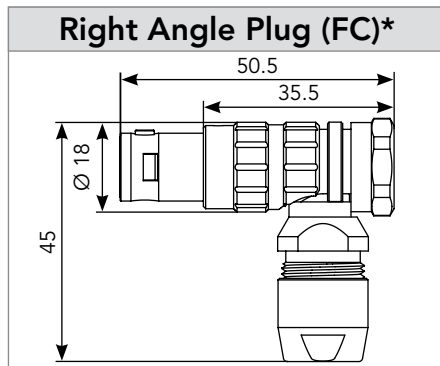
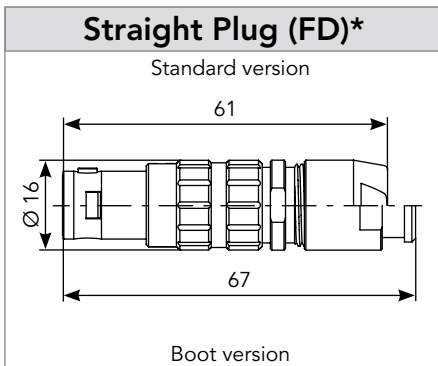
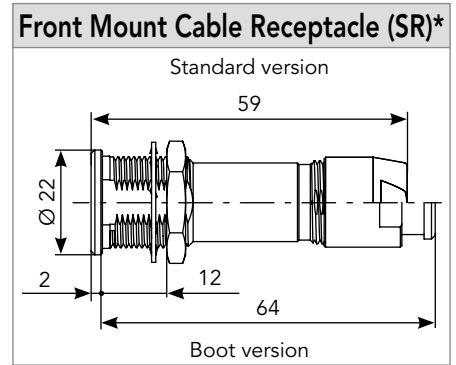
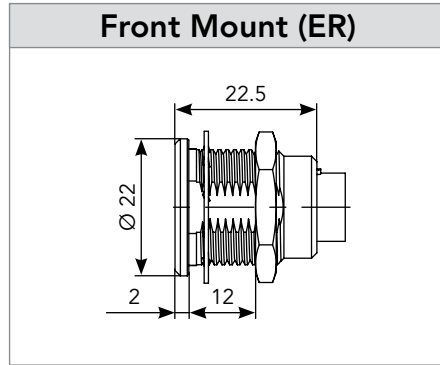
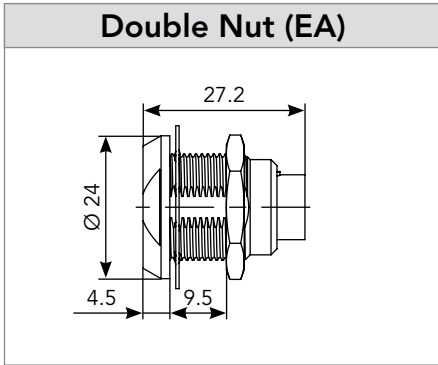
\* In order to get the back nut for protective boot please add «M» after the last «S». Example: JBX Straight Plug, size 3, 18 solder contacts, male insert = JBXFD3G18MSSDSMR. ■ : First choice  
The protective boot need to be ordered separately, see page accessories.

1: In order to get a black Chrome over Nickel please replace «S» before the «D» by one «N». Example: JBX Straight Plug, size 3, 18 solder contacts, male insert = JBXFD3G18MSNDSR.



**JBX3-18 - IP40** (18 x Ø 0.9 mm)

**Dimensions** (For mated connector lengths see page 213)



Note: all dimensions are in mm

**JBX3-18 - IP40 (18 x Ø 0.9 mm)**

**Accessories**

**Receptacle Dust Cap**




Part number
<b>JBXBR3</b>

**Plug Dust Cap**




Part number
<b>JBXBF3</b>

**Grounding Washer**



Part number
<b>JAXRA3252</b>

**Insulating Washer**



Part number	Color
<b>JBX3RIA</b>	Blue
<b>JBX3RIB</b>	White
<b>JBX3RIG</b>	Grey
<b>JBX3RIJ</b>	Yellow
<b>JBX3RIM</b>	Brown
<b>JBX3RIN</b>	Black
<b>JBX3RIR</b>	Red
<b>JBX3RIV</b>	Green
<b>JBX3RIO</b>	Orange

Note : Insulating washers are not compatible with the IP68 versions

**Protective Boot**

Available only for FC - FD - SR, with back nut protective boot 



Part number	Color
<b>JBX3MPA</b>	Blue
<b>JBX3MPB</b>	White
<b>JBX3MPG</b>	Grey
<b>JBX3MPJ</b>	Yellow
<b>JBX3MPM</b>	Brown
<b>JBX3MPN</b>	Black
<b>JBX3MPR</b>	Red
<b>JBX3MPV</b>	Green
<b>JBX3MPO</b>	Orange

The overall length is 28.5 mm longer with the protective boot.  
Note: The protective boot is not a sealing element.


**Tooling**

**Crimp Tooling**



Part number
<b>MIL-22520/7-01</b>

**Locator**



Part number	
Male	Female
<b>JBX3OUTLP09</b>	<b>JBX3OUTLS09</b>

**Extraction Tool**



Part number
<b>JBXOUTDC09</b>

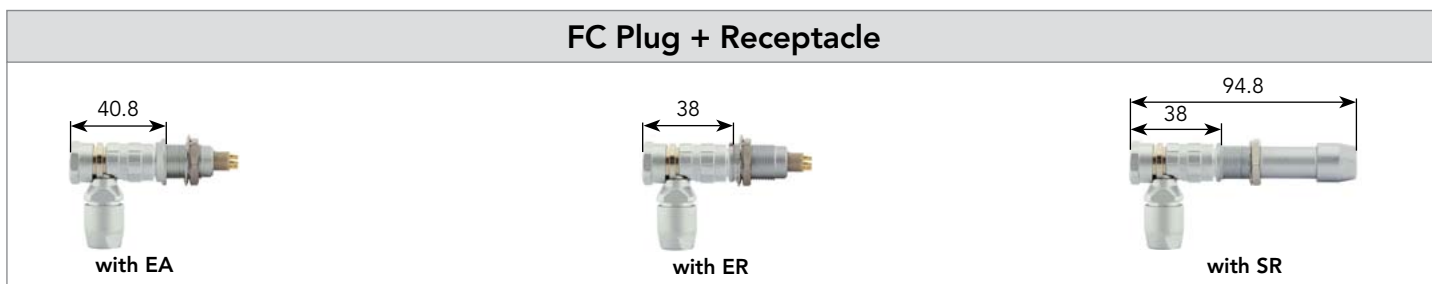
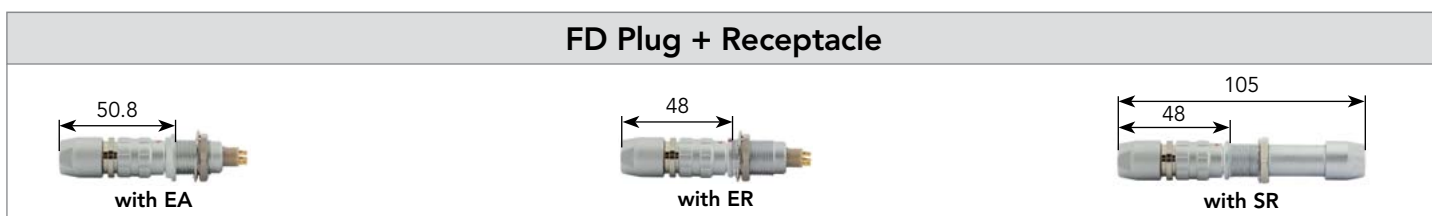
## JBX3-18 - IP40 (18 x Ø 0.9 mm)

### Contacts

Ø 0.9 mm	Contact type	Plating	Contact locking type	AWG
Solder	Machined	0.5 µm gold over 3 to 5 µm Ni	Removable	24
Crimp	Machined	0.5 µm gold over 3 to 5 µm Ni	Removable	20 - 22 - 24
Straight PCB	Machined	0.5 µm gold over 3 to 5 µm Ni	Fixed	-

For more information see pages 231 to 233

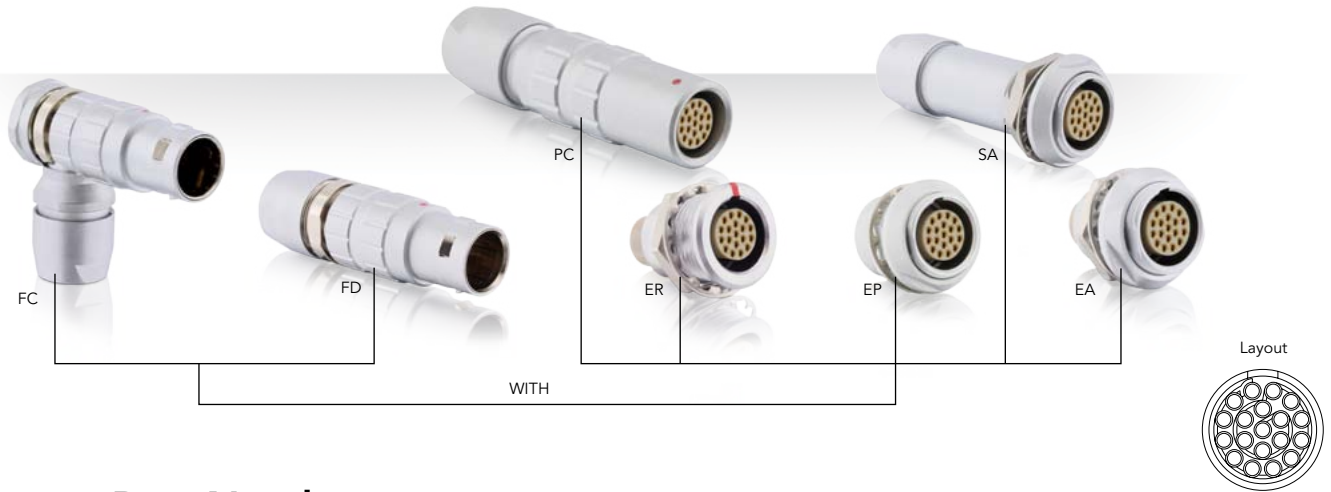
### Mated Connector Length



Electrical Characteristics
<p><b>UL</b> 7A 660V UL94 V-0</p>

Note: all dimensions are in mm

**JBX2-19 - IP40 (19 x Ø 0.7 mm) - See waterproof IP68 version page 216**



**Connector Part Number**

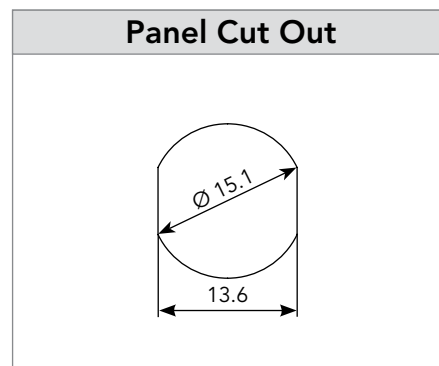
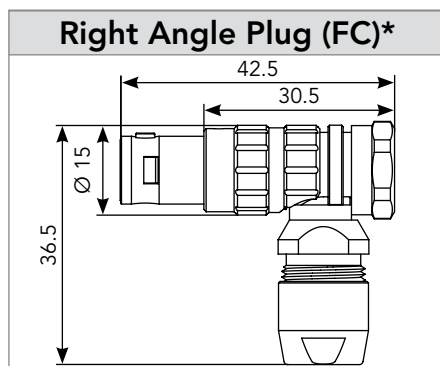
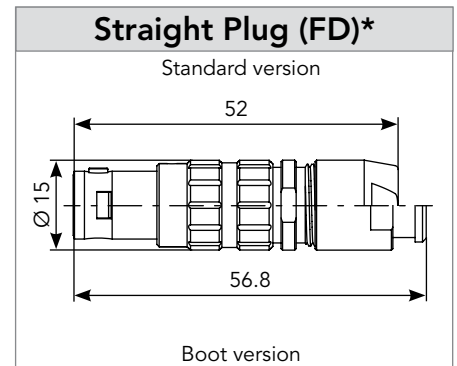
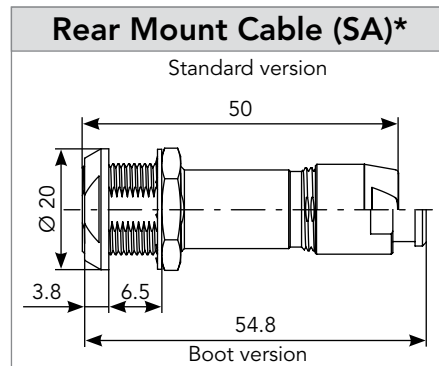
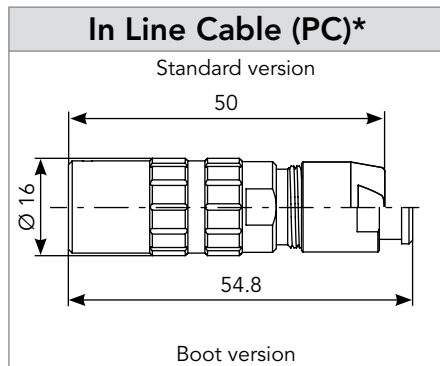
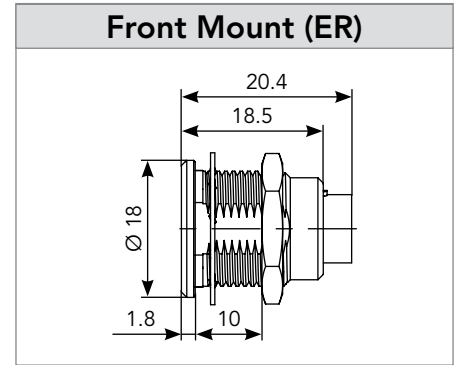
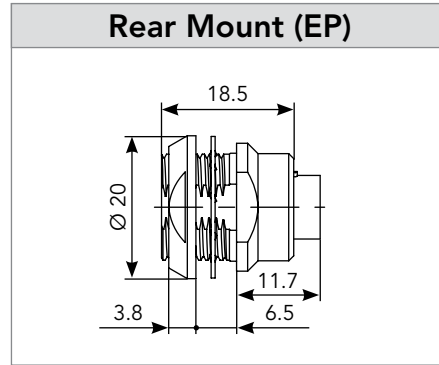
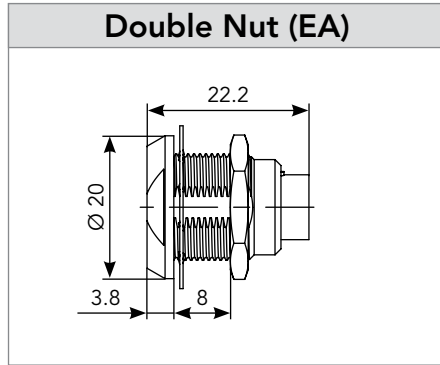
Contact type	Connector type	Description	Part number <sup>(1)</sup>	
			Male insert	Female insert
Solder contacts see page 219	Receptacle	Double nut (EA)	<b>JBXEA2G19MSSDS</b>	<b>JBXEA2G19FSSDS</b>
		Rear mount (EP)	<b>JBXEP2G19MSSDS</b>	<b>JBXEP2G19FSSDS</b>
		Front mount (ER)	<b>JBXER2G19MSSDSR</b>	<b>JBXER2G19FSSDSR</b>
		In line cable (PC) *	<b>JBXPC2G19MSSDSR</b>	<b>JBXPC2G19FSSDSR</b>
	Plug	Straight plug (FD) *	<b>JBXFD2G19MSSDSR</b>	<b>JBXFD2G19FSSDSR</b>
Crimp contacts see page 219	Receptacle	Double nut (EA)	<b>JBXEA2G19MCSDS</b>	<b>JBXEA2G19FCSDS</b>
		Rear mount (EP)	<b>JBXEP2G19MCSDS</b>	<b>JBXEP2G19FCSDS</b>
		Front mount (ER)	<b>JBXER2G19MCSDSR</b>	<b>JBXER2G19FCSDSR</b>
		In line cable (PC) *	<b>JBXPC2G19MCSDSR</b>	<b>JBXPC2G19FCSDSR</b>
		Rear mount cable (SA) *	<b>JBXSA2G19MCSDS</b>	<b>JBXSA2G19FCSDS</b>
	Plug	Right angle plug (FC) *	<b>JBXFC2G19MCSDSR</b>	<b>JBXFC2G19FCSDSR</b>
		Straight plug (FD) *	<b>JBXFD2G19MCSDSR</b>	<b>JBXFD2G19FCSDSR</b>
Straight PCB contacts see page 219	Receptacle	Double nut (EA)	<b>JBXEA2G19MPSDS</b>	<b>JBXEA2G19FPSDS</b>
		Rear mount (EP)	<b>JBXEP2G19MPSDS</b>	<b>JBXEP2G19FPSDS</b>
		Front mount (ER)	<b>JBXER2G19MPSDSR</b>	<b>JBXER2G19FPSDSR</b>

\* In order to get the back nut for protective boot please add «M» after the last «S». Example: JBX Straight Plug, size 2, 19 solder contacts, male insert = JBXFD2G19MSSDSMR.   : First choice  
The protective boot need to be ordered separately, see page accessories.

(1): In order to get a black Chrome over Nickel please replace «S» before the «D» by one «N». Example: JBX Straight Plug, size 2, 19 solder contacts, male insert = JBXFD2G19MSNDSR.

**JBX2-19 - IP40** (19 x Ø 0.7 mm) - See waterproof IP68 version page 216

**Dimensions** (For mated connector lengths see page 219)



Connector

Note: all dimensions are in mm

**JBX2-19 - IP68** (19 x Ø 0.7 mm) - See non sealed IP40 version page 214



**Connector Part Number**

Contact type	Connector type	Description	Part number <sup>(1)</sup>	
			Male insert	Female insert
Solder contacts see page 219	Receptacle	Double nut, front or rear mount (EC)	<b>JBXEC2G19MSSDS</b>	<b>JBXEC2G19FSSDS</b>
		Front mount extended (HH) ☁	<b>JBXHH2G19MSSDSR</b>	<b>JBXHH2G19FSSDSR</b>
	Plug	Straight plug (FH) *	<b>JBXFH2G19MSSDSR</b>	<b>JBXFH2G19FSSDSR</b>
Crimp contacts see page 219	Receptacle	Double nut, front or rear mount (EC)	<b>JBXEC2G19MCSDS</b>	<b>JBXEC2G19FCSDS</b>
		Front mount extended (HH)	<b>JBXHH2G19MCSDSR</b>	<b>JBXHH2G19FCSDSR</b>
	Plug	Straight plug (FH) *	<b>JBXFH2G19MCSDSR</b>	<b>JBXFH2G19FCSDSR</b>
Straight PCB contacts see page 219	Receptacle	Double nut, front or rear mount (EC)	<b>JBXEC2G19MPSDS</b>	<b>JBXEC2G19FPSDS</b>

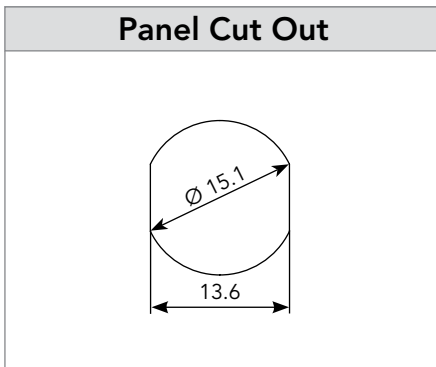
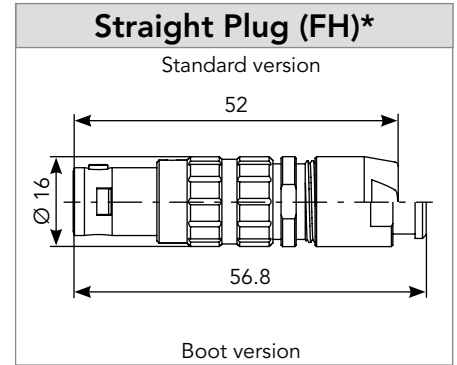
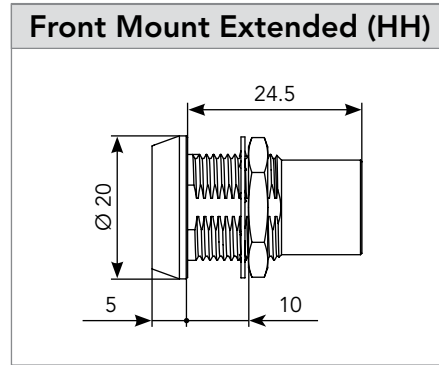
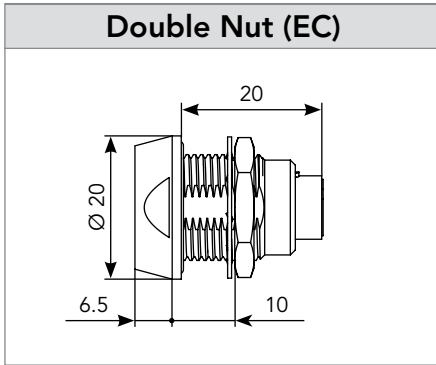
\* In order to get the back nut for protective boot please add «M» after the last «S». Example: JBX Straight Plug, size 2, 19 solder contacts, male insert = JBXFH2G19MSSDSMR. The protective boot need to be ordered separately, see page accessories.

1: In order to get a black Chrome over Nickel please replace «S» before the «D» by one «N». Example: JBX Straight Plug, size 2, 19 solder contacts, male insert = JBXFH2G19MSNDSR.

☁ : Sealed in Unmated Condition

**JBX2-19 - IP68** (19 x Ø 0.7 mm) - See non sealed IP40 version page 214

**Dimensions** (For mated connector lengths see page 219)



Note: all dimensions are in mm

## JBX2-19 - IP40 & IP68 (19 x Ø 0.7 mm)

### Accessories

**Receptacle Dust Cap**




Part number
<b>JBXBR2</b>

**Plug Dust Cap**




Part number
<b>JBXBF2</b>

**Grounding Washer**



Part number
<b>JAXRA2252</b>

**Insulating Washer**



Part number	Color
<b>JBX2RIA</b>	Blue
<b>JBX2RIB</b>	White
<b>JBX2RIG</b>	Grey
<b>JBX2RIJ</b>	Yellow
<b>JBX2RIM</b>	Brown
<b>JBX2RIN</b>	Black
<b>JBX2RIR</b>	Red
<b>JBX2RIV</b>	Green
<b>JBX2RIO</b>	Orange

Note : Insulating washers are not compatible with the IP68 versions

**Protective Boot**

Available only for PC - FC - FD - SA, FH, with back nut protective boot 



Part number	Color
<b>JBX2MPA</b>	Blue
<b>JBX2MPB</b>	White
<b>JBX2MPG</b>	Grey
<b>JBX2MPJ</b>	Yellow
<b>JBX2MPM</b>	Brown
<b>JBX2MPN</b>	Black
<b>JBX2MPR</b>	Red
<b>JBX2MPV</b>	Green
<b>JBX2MPO</b>	Orange

The overall length is 25 mm longer with the protective boot.  
Note: The protective boot is not a sealing element.


### Tooling

**Crimp Tooling**



Part number
<b>MIL-22520/7-01</b>

**Locator**



Part number	
Male	Female
<b>JBX20UTLP07</b>	<b>JBX20UTLS07</b>

**Extraction Tool**



Part number
<b>JBXOUTDC07</b>



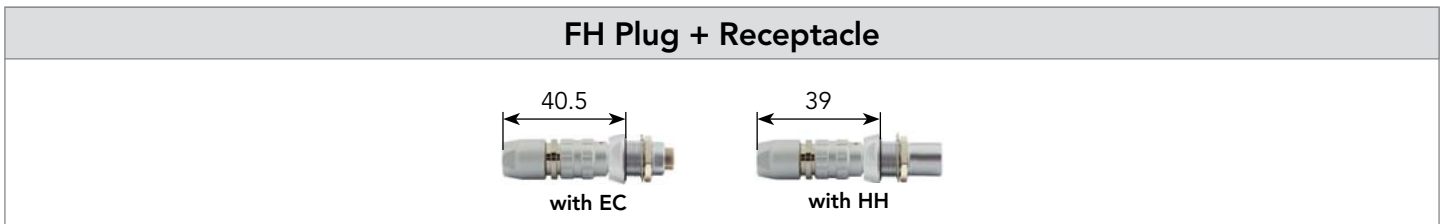
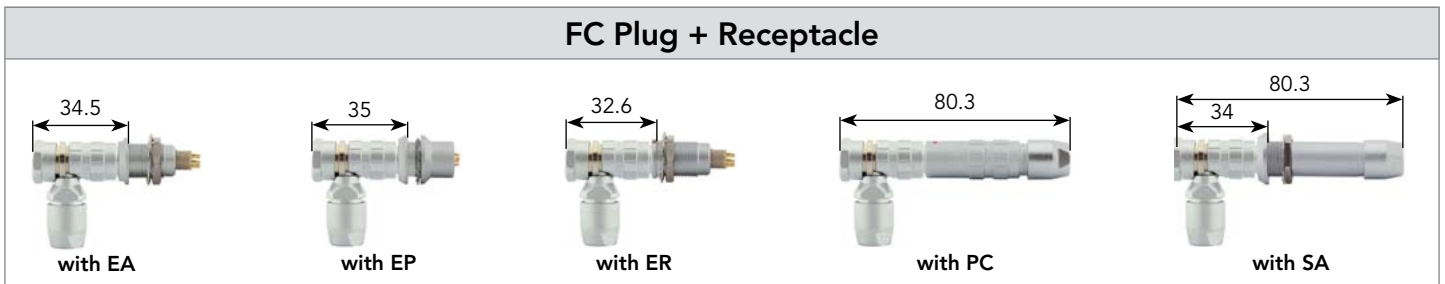
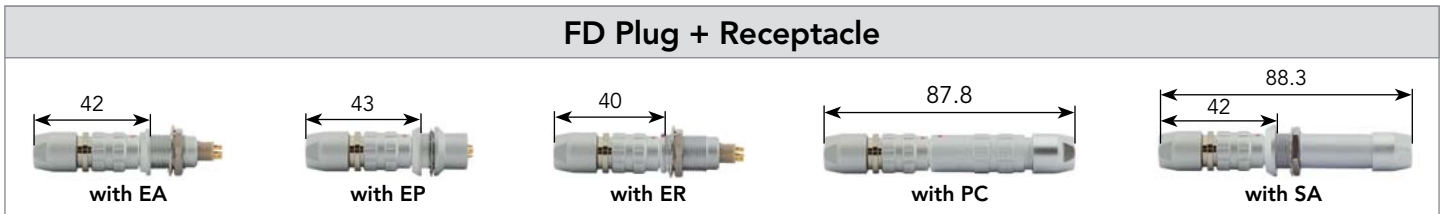
## JBX2-19 - IP40 & IP68 (19 x Ø 0.7 mm)

### Contacts

Ø 0.7 mm	Contact type	Plating	Contact locking type	AWG
Solder	Machined	0.5 µm gold over 3 to 5 µm Ni	Fixed	22
Crimp	Machined	0.5 µm gold over 3 to 5 µm Ni	Removable	22 - 24 - 26
Straight PCB	Machined	0.5 µm gold over 3 to 5 µm Ni	Fixed	-

For more information see pages 231 to 233

### Mated Connector Length



Electrical Characteristics
<p><b>UL</b> 5A 660V UL94 V-0</p>

Note: all dimensions are in mm

**JBX3-22 - IP40** (22 x Ø 0.7 mm)



**Connector Part Number**

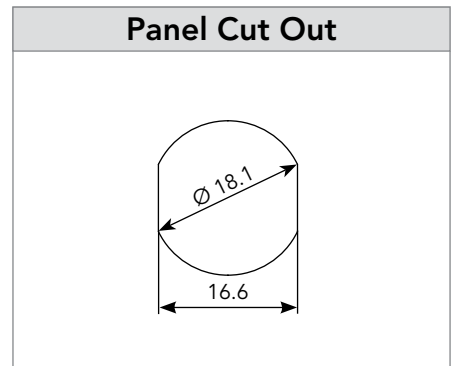
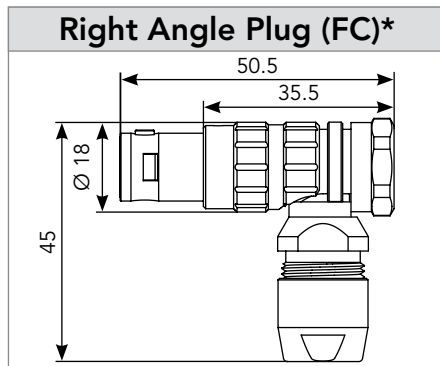
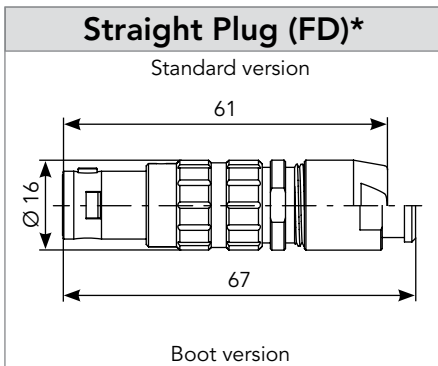
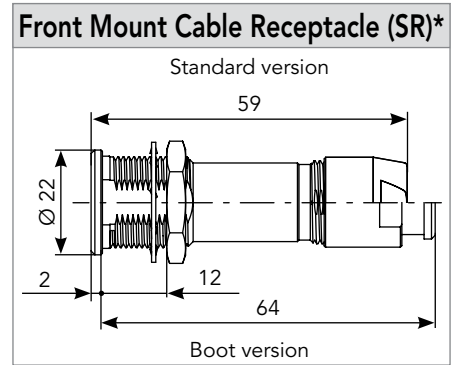
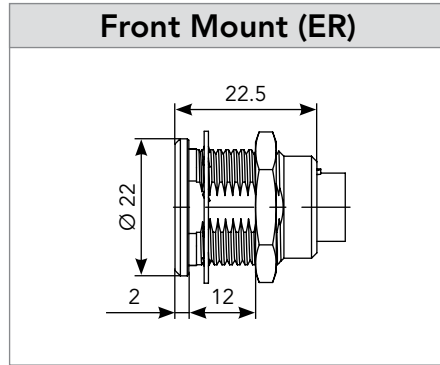
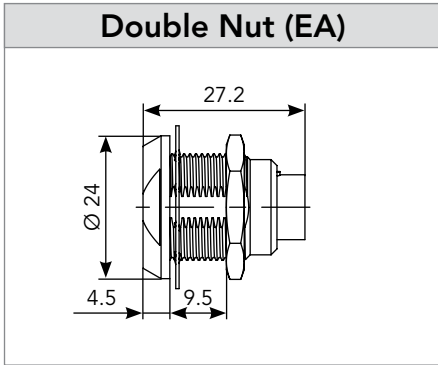
Contact type	Connector type	Description	Part number <sup>(1)</sup>	
			Male insert	Female insert
Solder contacts see page 223	Receptacle	Double nut (EA)	<b>JBXEA3G22MSSDS</b>	<b>JBXEA3G22FSSDS</b>
		Front mount (ER)	<b>JBXER3G22MSSDSR</b>	<b>JBXER3G22FSSDSR</b>
		Front mount cable (SR) *	<b>JBXSR3G22MSSDSR</b>	<b>JBXSR3G22FSSDSR</b>
	Plug	Straight plug (FD) *	<b>JBXFD3G22MSSDSR</b>	<b>JBXFD3G22FSSDSR</b>
Crimp contacts see page 223	Receptacle	Double nut (EA)	<b>JBXEA3G22MCSDS</b>	<b>JBXEA3G22FCSDS</b>
		Front mount (ER)	<b>JBXER3G22MCSDSR</b>	<b>JBXER3G22FCSDSR</b>
	Plug	Right angle plug (FC) *	<b>JBXFC3G22MCSDSR</b>	<b>JBXFC3G22FCSDSR</b>
		Straight plug (FD) *	<b>JBXFD3G22MCSDSR</b>	<b>JBXFD3G22FCSDSR</b>
Straight PCB contacts see page 223	Receptacle	Double nut (EA)	-	<b>JBXEA3G22FPSDS</b>

\* In order to get the back nut for protective boot please add «M» after the last «S». Example: JBX Straight Plug, size 3, 22 solder contacts, male insert = JBXFD3G22MSSDSMR. ■ : First choice  
The protective boot need to be ordered separately, see page accessories.

1: In order to get a black Chrome over Nickel please replace «S» before the «D» by one «N». Example: JBX Straight Plug, size 3, 22 solder contacts, male insert = JBXFD3G22MSNDSR.

**JBX3-22 - IP40** (22 x Ø 0.7 mm)

**Dimensions** (For mated connector lengths see page 223)



Note: all dimensions are in mm

**JBX3-22 - IP40** (22 x Ø 0.7 mm)

**Accessories**

**Receptacle Dust Cap**




Part number
<b>JBXBR3</b>

**Plug Dust Cap**




Part number
<b>JBXBF3</b>

**Grounding Washer**



Part number
<b>JAXRA3252</b>

**Insulating Washer**



Part number	Color
<b>JBX3RIA</b>	Blue
<b>JBX3RIB</b>	White
<b>JBX3RIG</b>	Grey
<b>JBX3RIJ</b>	Yellow
<b>JBX3RIM</b>	Brown
<b>JBX3RIN</b>	Black
<b>JBX3RIR</b>	Red
<b>JBX3RIV</b>	Green
<b>JBX3RIO</b>	Orange

Note : Insulating washers are not compatible with the IP68 versions

**Protective Boot**

Available only for FC - FD - SR, with back nut protective boot 



Part number	Color
<b>JBX3MPA</b>	Blue
<b>JBX3MPB</b>	White
<b>JBX3MPG</b>	Grey
<b>JBX3MPJ</b>	Yellow
<b>JBX3MPM</b>	Brown
<b>JBX3MPN</b>	Black
<b>JBX3MPR</b>	Red
<b>JBX3MPV</b>	Green
<b>JBX3MPO</b>	Orange

The overall length is 28.5 mm longer with the protective boot.  
Note: The protective boot is not a sealing element.


**Tooling**

**Crimp Tooling**



Part number
<b>MIL-22520/7-01</b>

**Locator**



Part number	
Male	Female
<b>JBX30UTLP07</b>	<b>JBX30UTLS07</b>

**Extraction Tool**



Part number
<b>JBXOUTDC07</b>

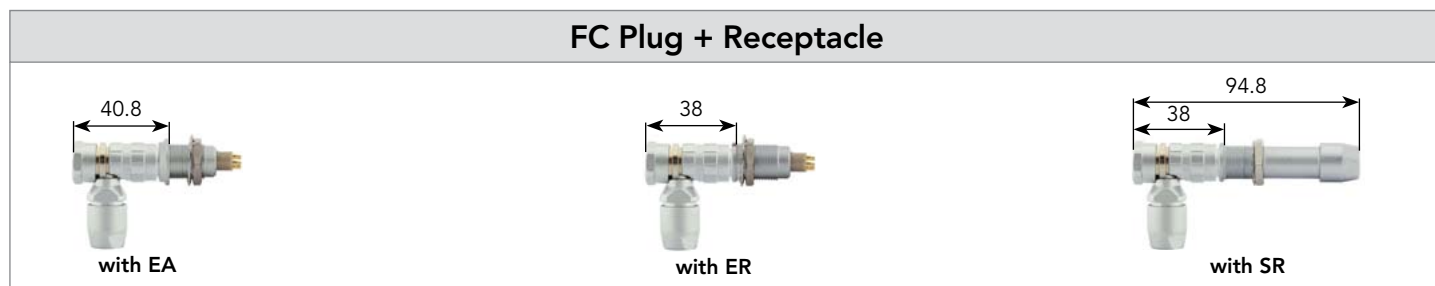
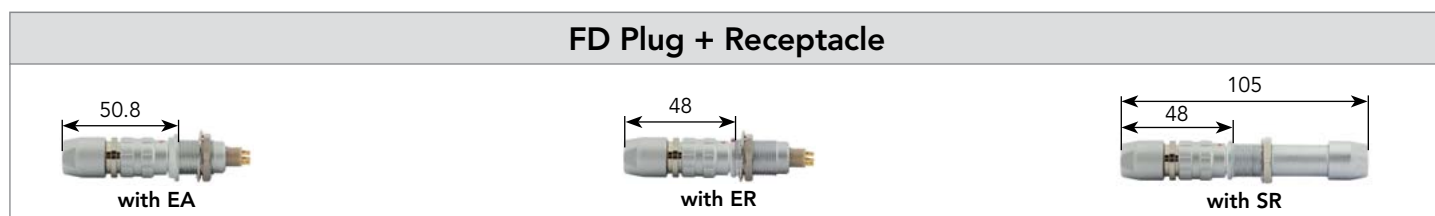
## JBX3-22 - IP40 (22 x Ø 0.7 mm)

### Contacts

Ø 0.7 mm	Contact type	Plating	Contact locking type	AWG
Solder	Machined	0.5 µm gold over 3 to 5 µm Ni	Fixed	22
Crimp	Machined	0.5 µm gold over 3 to 5 µm Ni	Removable	22 - 24 - 26
Straight PCB	Machined	0.5 µm gold over 3 to 5 µm Ni	Fixed	-

For more information see pages 231 to 233

### Mated Connector Length



Connector

Electrical Characteristics
<p><b>UL</b> 5.5A 560V UL94 V-0</p>

Note: all dimensions are in mm

**JBX3-30 - IP40 (30 x Ø 0.7 mm)**



**Connector Part Number**

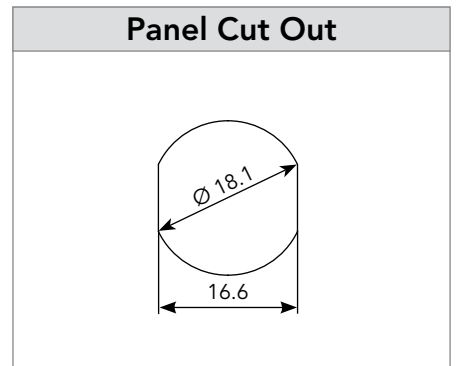
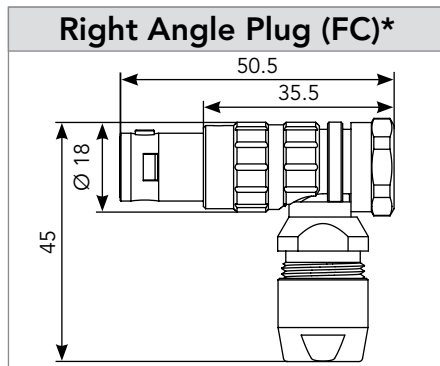
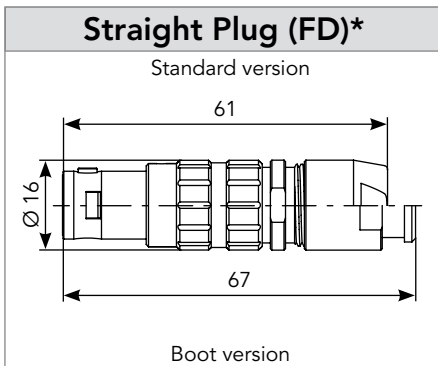
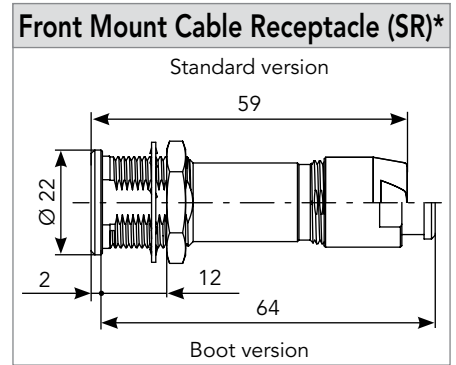
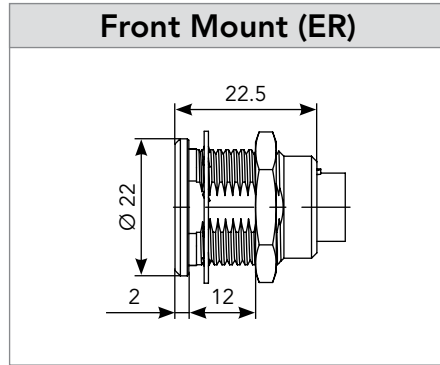
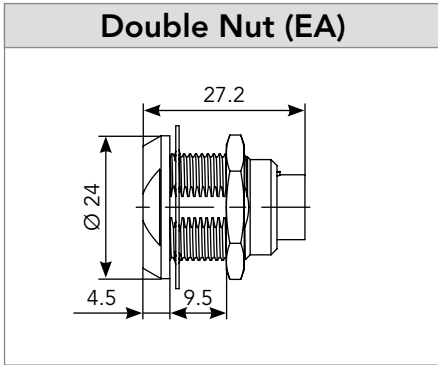
Contact type	Connector type	Description	Part number <sup>(1)</sup>	
			Male insert	Female insert
Solder contacts see page 227	Receptacle	Double nut (EA)	<b>JBXEA3G30MSSDS</b>	<b>JBXEA3G30FSSDS</b>
		Front mount (ER)	<b>JBXER3G30MSSDSR</b>	<b>JBXER3G30FSSDSR</b>
		Front mount cable (SR) *	<b>JBXSR3G30MSSDSR</b>	<b>JBXSR3G30FSSDSR</b>
	Plug	Straight plug (FD) *	<b>JBXFD3G30MSSDSR</b>	<b>JBXFD3G30FSSDSR</b>
Crimp contacts see page 227	Receptacle	Double nut (EA)	<b>JBXEA3G30MCSDS</b>	<b>JBXEA3G30FCSDS</b>
		Front mount (ER)	<b>JBXER3G30MCSDSR</b>	<b>JBXER3G30FCSDSR</b>
	Plug	Right angle plug (FC) *	<b>JBXFC3G30MCSDSR</b>	<b>JBXFC3G30FCSDSR</b>
		Straight plug (FD) *	<b>JBXFD3G30MCSDSR</b>	<b>JBXFD3G30FCSDSR</b>
Straight PCB contacts see page 227	Receptacle	Double nut (EA)	-	<b>JBXEA3G30FPSDS</b>

\* In order to get the back nut for protective boot please add «M» after the last «S». Example: JBX Straight Plug, size 3, 30 solder contacts, male insert = JBXFD3G30MSSDSMR.   : First choice  
The protective boot need to be ordered separately, see page accessories.

1: In order to get a black Chrome over Nickel please replace «S» before the «D» by one «N». Example: JBX Straight Plug, size 3, 30 solder contacts, male insert = JBXFD3G30MSNDSR.

**JBX3-30 - IP40** (30 x Ø 0.7 mm)

**Dimensions** (For mated connector lengths see page 227)



**JBX3-30 - IP40 (30 x Ø 0.7 mm)**

**Accessories**

**Receptacle Dust Cap**




Part number
<b>JBXBR3</b>

**Plug Dust Cap**




Part number
<b>JBXBF3</b>

**Grounding Washer**



Part number
<b>JAXRA3252</b>

**Insulating Washer**



Part number	Color
<b>JBX3RIA</b>	Blue
<b>JBX3RIB</b>	White
<b>JBX3RIG</b>	Grey
<b>JBX3RIJ</b>	Yellow
<b>JBX3RIM</b>	Brown
<b>JBX3RIN</b>	Black
<b>JBX3RIR</b>	Red
<b>JBX3RIV</b>	Green
<b>JBX3RIO</b>	Orange

Note : Insulating washers are not compatible with the IP68 versions

**Protective Boot**

Available only for FC - FD - SR, with back nut protective boot 



Part number	Color
<b>JBX3MPA</b>	Blue
<b>JBX3MPB</b>	White
<b>JBX3MPG</b>	Grey
<b>JBX3MPJ</b>	Yellow
<b>JBX3MPM</b>	Brown
<b>JBX3MPN</b>	Black
<b>JBX3MPR</b>	Red
<b>JBX3MPV</b>	Green
<b>JBX3MPO</b>	Orange

The overall length is 28.5 mm longer with the protective boot.  
Note: The protective boot is not a sealing element.


**Tooling**

**Crimp Tooling**



Part number
<b>MIL-22520/7-01</b>

**Locator**



Part number	
Male	Female
<b>JBX30UTLP07</b>	<b>JBX30UTLS07</b>

**Extraction Tool**



Part number
<b>JBXOUTDC07</b>



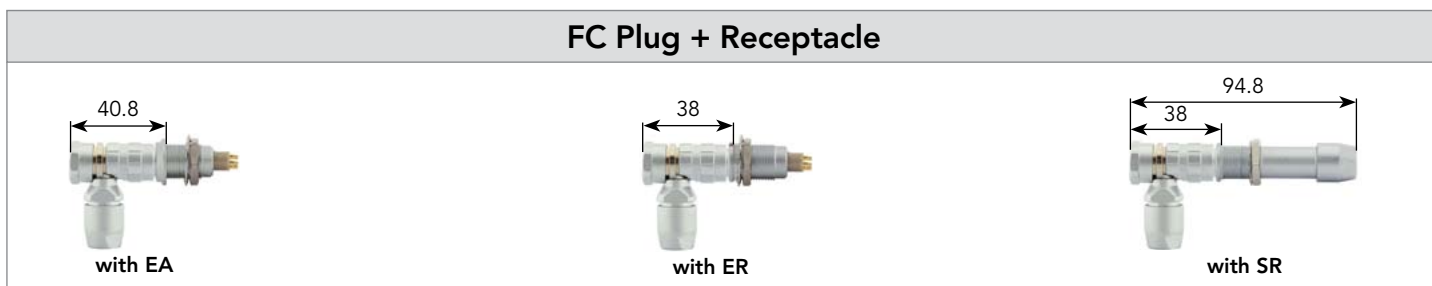
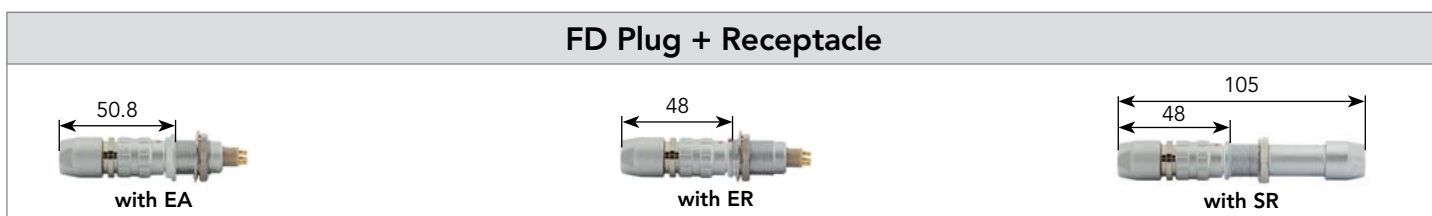
## JBX3-30 - IP40 (30 x Ø 0.7 mm)

### Contacts

Ø 0.7 mm	Contact type	Plating	Contact locking type	AWG
Solder	Machined	0.5 µm gold over 3 to 5 µm Ni	Fixed	22
Crimp	Machined	0.5 µm gold over 3 to 5 µm Ni	Removable	22 - 24 - 26
Straight PCB	Machined	0.5 µm gold over 3 to 5 µm Ni	Fixed	-

For more information see pages 231 to 233

### Mated Connector Length



Electrical Characteristics
<p><b>UL</b> 3.5A 400V UL94 V-0</p>

Note: all dimensions are in mm

# JBX SERIES

# Contacts

■ Description .....	230
■ Packaging .....	230
■ Solder Contacts .....	231
■ Crimp Contacts .....	232
■ Straight PCB Contacts .....	233
■ 90° PCB Contacts .....	234
■ Tooling .....	235

## Contacts

### Description

The JBX series is delivered with contacts and offers the unique feature to use the same style contact in any layout with the same active part size (i.e. #25, #22, #20, #18 mm, #16 or #14). This provides our customers with an easy solution to buy only one type of contact to equip all their connectors even if housings/shell sizes are different.

This provides the benefit of standardization and subsequent reduced inventory costs. In addition, it eliminates the need for added tooling and simplifies the assembly process. SOURIAU contacts are designed for simple snap-in installation and further eliminate the need for insertion tooling.

In addition to the below "crimp" or "solder" style contact options, the JBX series can also be equipped with straight or 90° PCB contacts.



• Solder



• Crimp



• Straight PCB



• 90° PCB

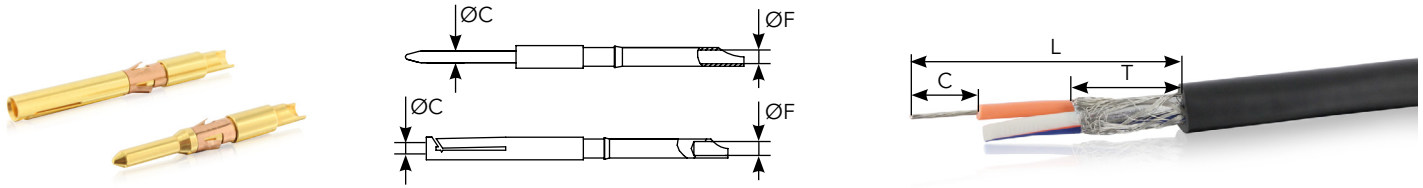
### Packaging for contacts #22 to #14

Due to the wide variety of applications, contact packaging is offered in bulk package.



• 100 pieces loose package

## Solder Contacts



Contact size ØC	Shell size	ØF	Wire size (Stranded)		Part number*		Max current rating (A)	Contact resistance (mΩ)
			AWG (Maxi)	mm² (Maxi)	Male	Female		
#25 Ø 0.5 mm	00	0.40	30	0.05	-	-	5	10
	0	0.50	28	0.09	-	-	5	10
	1	0.50	28	0.09	-	-	5	10
#22 Ø 0.7 mm	0	0.80	22	0.34	-	-	7	5
	1	0.80	22	0.34	-	-	7	5
	2	0.80	22	0.34	-	-	7	5
	3	0.80	22	0.34	-	-	7	5
#20 Ø 0.9 mm	0	0.80	22	0.34	JBX0CTMS09	JBX0CTFS09	10	3.5
	1	0.80	22	0.34	JBX1CTMS09	JBX1CTFS09	10	3.5
	2	0.80	22	0.34	JBX2CTMS09	JBX2CTFS09	10	3.5
	3	0.80	22	0.34	JBX3CTMS09	JBX3CTFS09	10	3.5
#18 Ø 1.3 mm	1	1.10	20	0.50	JBX1CTMS13	JBX1CTFS13	15	3
	2	1.10	20	0.50	JBX2CTMS13	JBX2CTFS13	15	3
	3	1.10	20	0.50	JBX3CTMS13	JBX3CTFS13	15	3
#16 Ø 1.6 mm	2	1.50	18	1.00	JBX2CTMS16	JBX2CTFS16	17	2.5
	3	1.50	18	1.00	JBX3CTMS16	JBX3CTFS16	17	2.5
#14 Ø 2.0 mm	2	1.90	16	1.50	JBX2CTMS20	JBX2CTFS20	30	2.5
	3	1.90	16	1.50	JBX3CTMS20	JBX3CTFS20	30	2.5

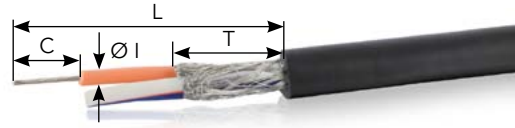
\* Part numbers for removal contacts only

## Wire Stripping Instructions

Shell size	Contact size	Stripping for FD, SR, PC connectors			Stripping for FC connector		
		L	C	T	L	C	T
00	0.5	9	2	4	-	-	-
0	0.5	11	2	7	16	2	7
	0.7	12	3	7	16	3	7
	0.9	12	3	7	16	3	7
1	0.5	12	2	8	19	2	8
	0.7	13	3	8	19	3	8
	0.9	13	3	8	19	3	8
	1.3	13	3.5	8	19	3.5	8
2	0.7	16	3	9	25	3	9
	0.9	16	3	9	25	3	9
	1.3	16	3.5	9	25	3	9
	1.6	18	4	9	25	4	9
	2.0	18	4	9	25	4	9
3	0.7	20	3	10	30	3	10
	0.9	20	3	10	30	3	10
	1.3	20	3.5	10	30	3.5	10
	1.6	22	4	10	30	4	10
	2.0	22	4	10	30	4	10

Note: all dimensions are in mm

## Crimp Contacts



Contact size	Shell type	Wire size		Part number*		Max current rating (A)	Contact resistance (mΩ)
		AWG	mm <sup>2</sup>	Male	Female		
#22 Ø 0.7 mm	0	22 - 24 - 26	0.129-0.326	<b>JBX0CTMC07</b>	<b>JBX0CTFC07</b>	7	5
	1	22 - 24 - 26	0.129-0.326	<b>JBX1CTMC07</b>	<b>JBX1CTFC07</b>	7	5
	2	22 - 24 - 26	0.129-0.326	<b>JBX2CTMC07</b>	<b>JBX2CTFC07</b>	7	5
	3	22 - 24 - 26	0.129-0.326	<b>JBX3CTMC07</b>	<b>JBX3CTFC07</b>	7	5
#20 Ø 0.9 mm	0	20 - 22 - 24	0.205-0.518	<b>JBX0CTMC09</b>	<b>JBX0CTFC09</b>	10	3.5
	1	20 - 22 - 24	0.205-0.518	<b>JBX1CTMC09</b>	<b>JBX1CTFC09</b>	10	3.5
	2	20 - 22 - 24	0.205-0.518	<b>JBX2CTMC09</b>	<b>JBX2CTFC09</b>	10	3.5
	3	20 - 22 - 24	0.205-0.518	<b>JBX3CTMC09</b>	<b>JBX3CTFC09</b>	10	3.5
#18 Ø 1.3 mm	1	18 - 20 - 22	0.326-0.823	<b>JBX1CTMC13</b>	<b>JBX1CTFC13</b>	15	3
	2	18 - 20 - 22	0.326-0.823	<b>JBX2CTMC13</b>	<b>JBX2CTFC13</b>	15	3
	3	18 - 20 - 22	0.326-0.823	<b>JBX3CTMC13</b>	<b>JBX3CTFC13</b>	15	3
#16 Ø 1.6 mm	2	14 - 16 - 18	0.823-2.081	<b>JBX2CTMC16</b>	<b>JBX2CTFC16</b>	17	2.5
	3	14 - 16 - 18	0.823-2.081	<b>JBX3CTMC16</b>	<b>JBX3CTFC16</b>	17	2.5
#14 Ø 2.0 mm	2	12 - 14 - 16	1.309-3.309	<b>JBX2CTMC20</b>	<b>JBX2CTFC20</b>	30	2.5
	3	12 - 14 - 16	1.309-3.309	<b>JBX3CTMC20</b>	<b>JBX3CTFC20</b>	30	2.5

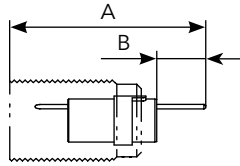
\* Part numbers for removal contacts only

## Wire Stripping Instructions

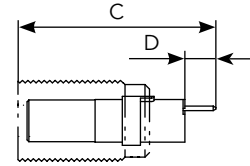
Shell size	Contact size	Ø I (diameter over insulation)	Stripping for FD, SR, PC connectors			Stripping for FC connector		
			L	C	T	L	C	T
0	0.7	≤ 1.35	15	4	7	19	4	7
		> 1.35		5.5			5.5	
	0.9	≤ 1.60	15	4	7	19	4	7
		> 1.60		5.5			5.5	
1	0.7	≤ 1.35	16	4	8	22	4	8
		> 1.35		5.5			5.5	
	0.9	≤ 1.60	16	4	8	22	4	8
		> 1.60		5.5			5.5	
1.3	≤ 2.10	16	4	8	22	4	8	
	> 2.10		5.5			5.5		
2	0.7	≤ 1.35	19	4	9	28	4	9
		> 1.35		5.5			5.5	
	0.9	≤ 1.60	19	4	9	28	4	9
		> 1.60		5.5			5.5	
	1.3	≤ 2.10	19	4	9	28	4	9
		> 2.10		5.5			5.5	
	1.6	≤ 2.60	21	5.5	9	28	5.5	9
		> 2.60		7			7	
2.0	≤ 3.20	21	5.5	9	28	5.5	9	
	> 3.20		7			7		
3	0.7	≤ 1.35	25	4	10	35	4	10
		> 1.35		7			7	
	0.9	≤ 1.60	25	4	10	35	4	10
		> 1.60		7			7	
	1.3	≤ 2.10	25	4	10	35	4	10
		> 2.10		7			7	
	1.6	≤ 2.60	27	5.5	10	35	5.5	10
		> 2.60		8.5			8.5	
	2.0	≤ 3.20	27	5.5	10	35	5.5	10
		> 3.20		8.5			8.5	

Note: all dimensions are in mm

## Straight PCB Contacts



Male Insulator

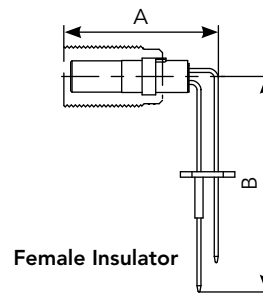


Female Insulator

Shell size	Contact size	Layout	Contact range		Max current rating (A)	Contact resistance (mΩ)	A	B	C	D
			Male contact	Female contact						
0	#25 Ø 0.5 mm	06	Yes	Yes	2	10	21.6	5.4	21.6	5.4
		07	Yes	Yes	2.5	10	21.6	5.4	21.6	5.5
		08	Yes	Yes	2.5	10	21.6	5.4	21.6	5.4
	#22 Ø 0.7 mm	05	Yes	Yes	6.5	5	24.3	5.9	21.8	3.4
		04	Yes	Yes	7	5	24.3	5.9	21.8	3.4
	#20 Ø 0.9 mm	03	No	Yes	10	3.5	-	-	21.8	3.4
02		No	Yes	10	3.5	-	-	21.8	3.4	
1	#25 Ø 0.5 mm	12	No	Yes	5	10	-	-	24.0	5.1
		10	No	Yes	5	10	-	-	24.0	5.1
	#22 Ø 0.7 mm	08	Yes	Yes	7	5	26.3	5.9	24.3	3.9
		07	Yes	Yes	7	5	26.3	5.9	24.3	3.9
		06	Yes	Yes	7	5	26.3	5.9	24.3	3.9
	#20 Ø 0.9 mm	05	No	Yes	10	3.5	-	-	24.3	3.9
		04	No	Yes	10	3.5	-	-	24.3	3.9
	#17 Ø 1.3 mm	03	No	Yes	15	3	-	-	24.3	3.9
02		No	Yes	15	3	-	-	24.3	3.9	
2	#22 Ø 0.7 mm	19	Yes	Yes	7	5	25.7	3.3	28.3	5.9
		18	Yes	Yes	7	5	25.7	3.3	28.3	5.9
		16	Yes	Yes	7	5	25.7	3.3	28.3	5.9
		12	Yes	Yes	7	5	25.7	3.3	28.3	5.9
	#20 Ø 0.9 mm	10	No	Yes	10	3.5	-	-	28.3	5.9
		08	No	Yes	10	3.5	-	-	28.3	5.9
	#17 Ø 1.3 mm	07	Yes	Yes	15	3	30.5	8.1	28.3	5.9
		06	Yes	Yes	15	3	30.5	8.1	28.3	5.9
		05	Yes	Yes	15	3	30.5	8.1	28.3	5.9
		04	Yes	Yes	15	3	30.5	8.1	28.3	5.9
3	#22 Ø 0.7 mm	30	No	Yes	7	5	-	-	33.2	5.8
		22	No	Yes	7	5	-	-	33.2	5.8
	#20 Ø 0.9 mm	18	No	Yes	10	3.5	-	-	33.2	5.8
		14	No	Yes	10	3.5	-	-	33.2	5.8
	#17 Ø 1.3 mm	10	No	Yes	15	3.5	-	-	33.2	5.8

Note: all dimensions are in mm

## 90° PCB Contacts



Shell size	Contact size	Layout	Contact range	Max current rating (A)	Contact resistance (mΩ)	A	B
			Female contact				
0	#22 Ø 0.7 mm	05	Yes	7	5	25.2	31.9
		04	Yes	7	5	22.7	31.7
	#20 Ø 0.9 mm	03	Yes	10	3.5	22.7	31.4
		02	Yes	10	3.5	22.7	31.9
1	#22 Ø 0.7 mm	08	Yes	7	5	27.6	32.5
		07	Yes	7	5	27.6	32.4
		06	Yes	7	5	27.6	32.4
	#20 Ø 0.9 mm	05	Yes	10	3.5	27.6	32.1
		04	Yes	10	3.5	25.0	31.8
	#17 Ø 1.3 mm	03	Yes	15	3	25.0	31.5
2	#22 Ø 0.7 mm	16	Yes	7	5	34.7	34
		12	Yes	7	5	32.1	33.7
	#20 Ø 0.9 mm	10	Yes	10	3.5	32.1	33.6
		08	Yes	10	3.5	29.6	33.8



## Tooling

### Crimp Tool Table

#### Crimp contacts

Contact size	Shell type	Part number*		Crimp tooling	Locator		Extraction tools
		Male	Female		Male	Female	
#22 Ø 0.7 mm	0	JBX0CTMC07	JBX0CTFC07	MIL - 22520/7-01	JBX0OUTLP07	JBX0OUTLS07	JBXOUTDC07
	1	JBX1CTMC07	JBX1CTFC07		JBX1OUTLP07	JBX1OUTLS07	
	2	JBX2CTMC07	JBX2CTFC07		JBX2OUTLP07	JBX2OUTLS07	
	3	JBX3CTMC07	JBX3CTFC07		JBX3OUTLP07	JBX3OUTLS07	
#20 Ø 0.9 mm	0	JBX0CTMC09	JBX0CTFC09	MIL - 22520/7-01	JBX0OUTLP09	JBX0OUTLS09	JBXOUTDC09
	1	JBX1CTMC09	JBX1CTFC09		JBX1OUTLP09	JBX1OUTLS09	
	2	JBX2CTMC09	JBX2CTFC09		JBX2OUTLP09	JBX2OUTLS09	
	3	JBX3CTMC09	JBX3CTFC09		JBX3OUTLP09	JBX3OUTLS09	
#18 Ø 1.3 mm	1	JBX1CTMC13	JBX1CTFC13	MIL - 22520/7-01	JBX1OUTLP13	JBX1OUTLS13	JBXOUTDC13
	2	JBX2CTMC13	JBX2CTFC13		JBX2OUTLP13	JBX2OUTLS13	
	3	JBX3CTMC13	JBX3CTFC13		JBX3OUTLP13	JBX3OUTLS13	
#16 Ø 1.6 mm	2	JBX2CTMC16	JBX2CTFC16	MIL - 22520/1-01	JBX2OUTLT16		JBXOUTDC16
	3	JBX3CTMC16	JBX3CTFC16		JBX3OUTLT16		
#14 Ø 2.0 mm	2	JBX2CTMC20	JBX2CTFC20	MIL - 22520/1-01	JBX2OUTLT20		JBXOUTDC20
	3	JBX3CTMC20	JBX3CTFC20		JBX3OUTLT20		

\* Part numbers for removal contacts only

#### Contact extraction instruction

- Place the tool into the cavity from front face of the insulator
- Push on the handle
- Remove the contact.







# JBX SERIES

# Technical Information

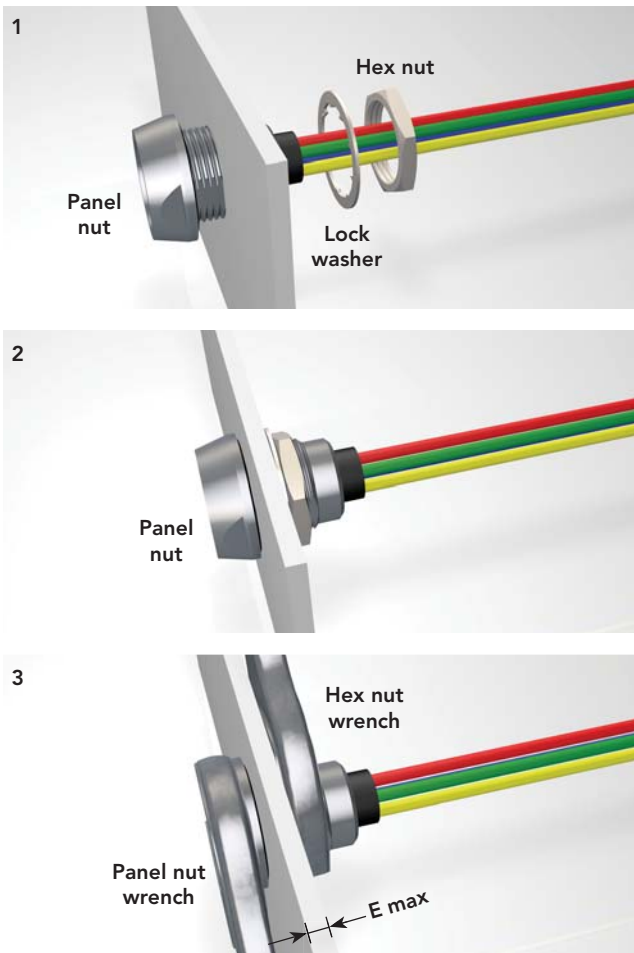
■ Receptacle Assembly Instructions .....	240
■ Plug Assembly Instructions .....	245
■ Collets Selection According to Cable Diameters .....	251
■ Rated Current & Working Voltage .....	252
■ UL94 + UL1977 .....	253
■ What is NEMA Rating ? .....	257
■ Ethernet for the Layman .....	258

## JBX Receptacle Assembly Instructions

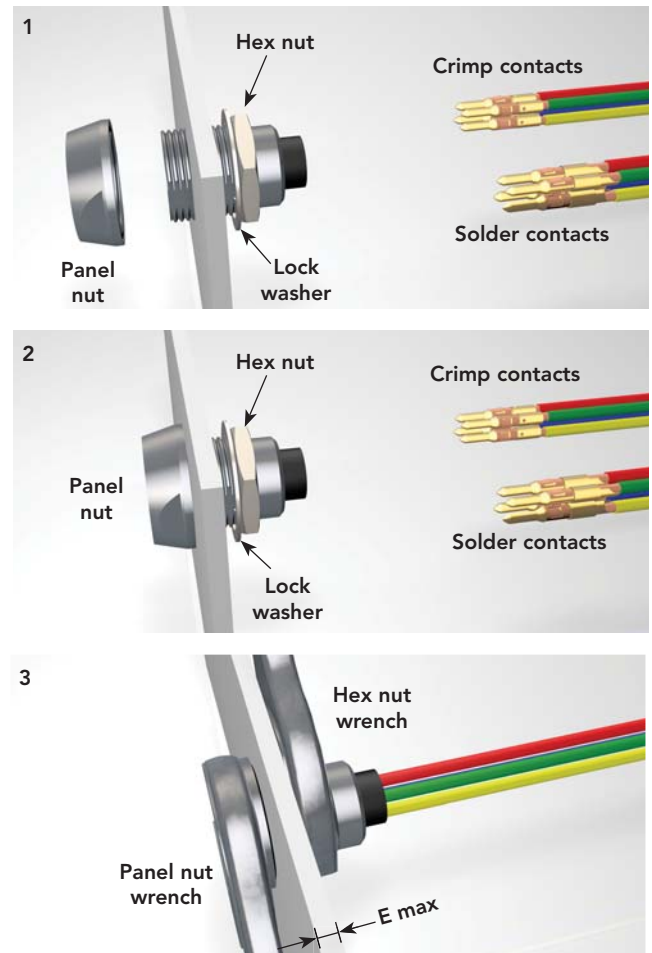
### JBXAC or JBXEC Assembly (Mounting Suggestion)

- Solder or crimp contacts (see pages 231 & 232)
- Slide the lock washer and the hex nut onto the cable
- Apply thread lock to panel nut prior to assembly.
- Place the receptacle in the panel cut-out
- Insert contacts manually in the cavities for removable contacts versions
- Insert the lock washer and tighten the panel nut hand tight
- Screw the hex nut to the bulkhead
- Use two wrenches to finalize the screwing: - Maintain the panel nut wrench fixed - Screw the hex nut
- Recommended tightening torques are shown in the table below.

#### Front mounting with fitted contacts



#### Rear mounting with separate contacts



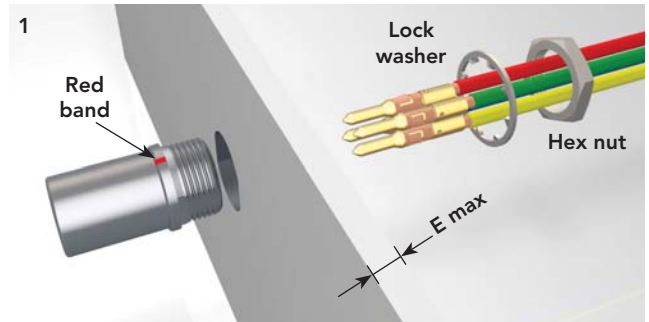
	Shell size			
	0	1	2	3
Wrench size	11	14	17	21
Tightening torque (Nm)	0.7	1.3	1.7	2
E - Panel max. thicknesses (mm)	6.7	8.3	8	9.5

Note : Assembly operations mentioned above shall not interfere or to be in contradiction with the IPC-WHMA-A-620B

### JBXED Assembly (Mounting Suggestion)

- Solder or crimp contacts (see pages 231 & 232)
- Slide the lock washer and the hex nut onto the cable
- Apply thread lock to the receptacle prior to assembly.
- Place the receptacle in the panel cut-out
- Insert contacts manually in the cavities for removable contacts versions
- Insert the lock washer and tighten the panel nut hand tight
- Screw the hex nut to the bulkhead with a wrench
- Recommended tightening torques are shown in the table below.

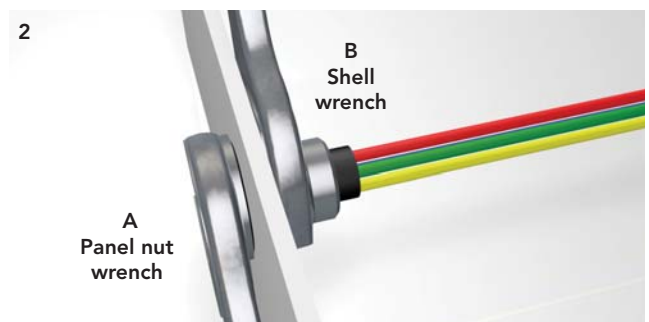
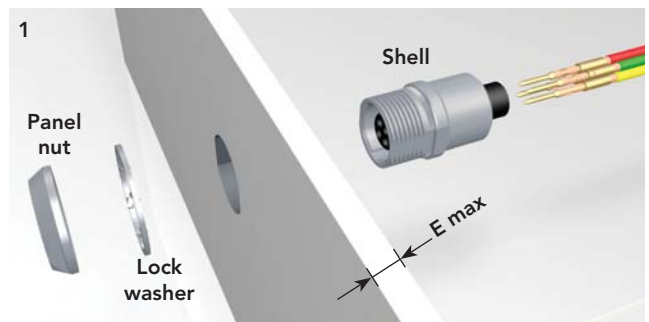
Shell size	Tightening torque (Nm) max.	Wrench size	E Panel max. thicknesses (mm)
0	0.7	11	3.0
1	1.3	14	4.5
2	1.7	17	6.3



### JBXEP Assembly (Mounting Suggestion)

- Solder or crimp contacts (see pages 231 & 232)
- Place the receptacle in the panel cut-out
- Insert the washer and tighten the panel nut hand tight
- Insert contacts manually in the cavities for removable contacts versions
- Use two wrenches to finalize the screwing:
  - Maintain the receptacle with nut wrench fixed
  - Screw the panel nut
- Recommended tightening torques are shown in the table below.

Shell size	Tightening torque (Nm) max.	Wrench size		E Panel max. thicknesses (mm)
		A	B	
0	0.7	10	11	4.5
1	1.3	13	14	6.0
2	1.7	17	17	6.5



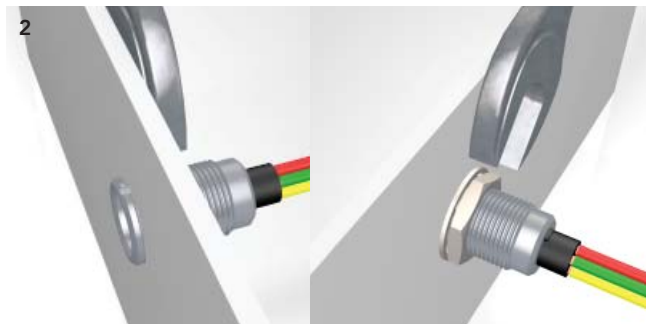
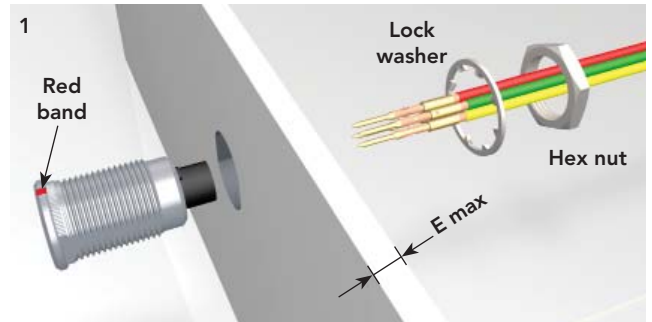
Note : Assembly operations mentioned above shall not interfere or to be in contradiction with the IPC-WHMA-A-620B

## JBX Receptacle Assembly Instructions (Continued)

### JBXER Assembly (Mounting Suggestion)

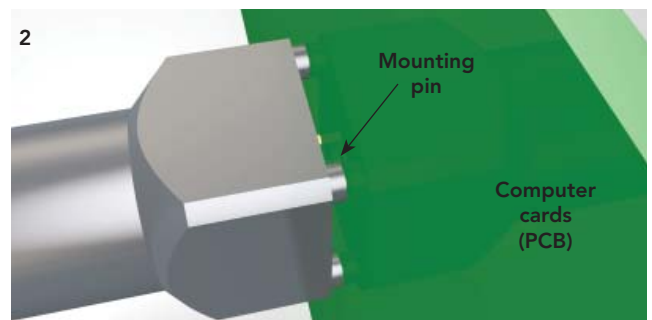
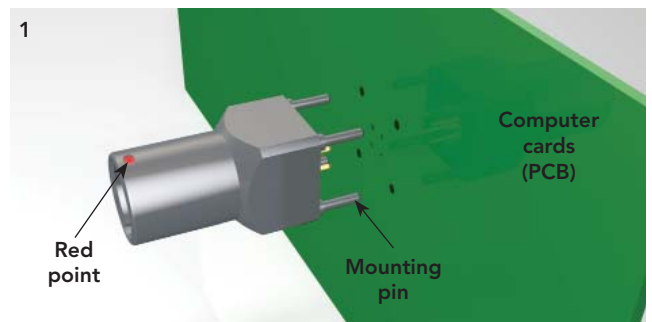
- Solder or crimp contacts (see pages 231 & 232)
- Slide the lock washer and the hex nut onto the cable
- Place the receptacle in the panel cut-out
- Insert contacts manually in the cavities for removable contacts versions
- Screw the hex nut to the bulkhead with a wrench
- Recommended tightening torques are shown in the table below.

Shell size	Tightening torque (Nm) max.	Wrench size	E Panel max. thicknesses (mm)
00	0.7	7	6.0
0	0.7	11	8.0
1	1.3	14	10.0
2	1.7	17	10.0
3	2	21	12.0



### JBXEZ Assembly (Mounting Suggestion)

- Please refer to the customer drawing for the PCB drilling holes.

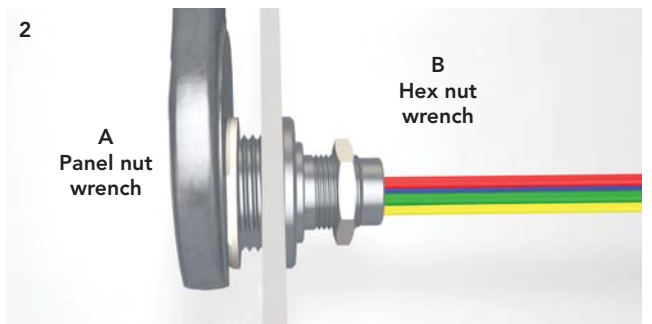
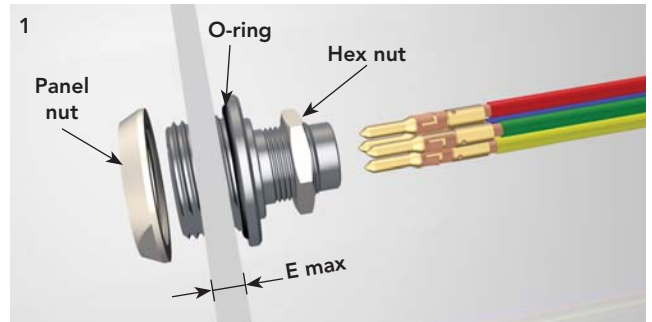




### JBXHC Assembly (Mounting Suggestion)

- Solder or crimp contacts (see pages 231 & 232)
- Place the receptacle in the panel cut-out
- Apply thread lock to panel nut prior to assembly.
- Tighten the panel nut hand tight
- Insert contacts manually in the cavities for removable contacts versions
- Screw the hex nut if needed
- Screw the panel nut with a wrench
- Recommended tightening torques are shown in the table below.

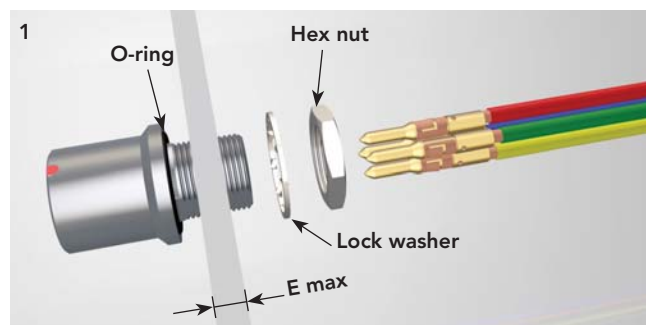
Shell size	Tightening torque (Nm) max.		Wrench size		E Panel max. thicknesses (mm)
	A	B	A	B	
0	1.7	0.7	16	11	4.0



### JBXHD Assembly (Mounting Suggestion)

- Solder or crimp contacts (see pages 231 & 232)
- Slide the lock washer and the hex nut onto the cable
- Place the receptacle in the panel cut-out
- Insert contacts manually in the cavities for removable contacts versions
- Screw the hex nut to the bulkhead with a wrench
- Recommended tightening torques are shown in the table below.

Shell size	Tightening torque (Nm) max.	Wrench size	E Panel max. thicknesses (mm)
0	1.3	11	7.0



Note : Assembly operations mentioned above shall not interfere or to be in contradiction with the IPC-WHMA-A-620B

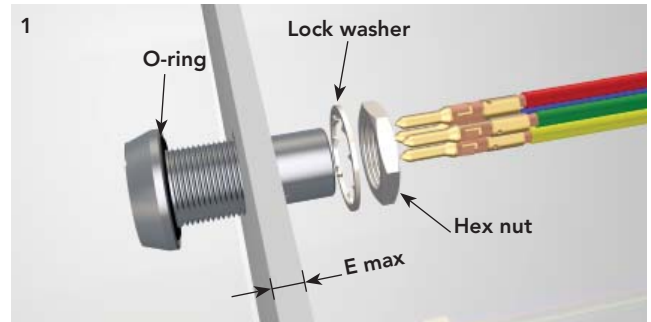
Note: all dimensions are in mm

## JBX Receptacle Assembly Instructions (Continued)

### JBXHH Assembly (Mounting Suggestion)

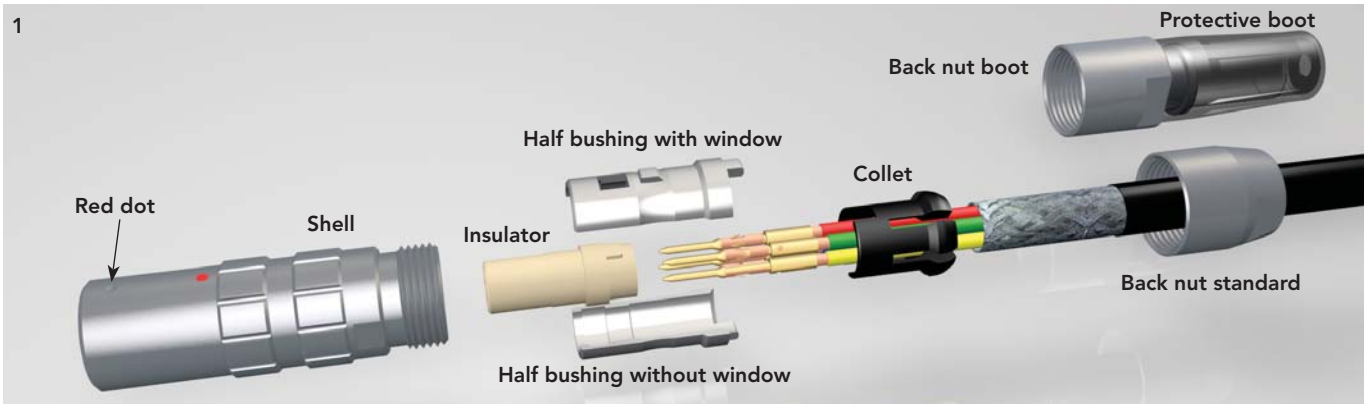
- Solder or crimp contacts (see pages 231 & 232)
- Slide the lock washer and the hex nut onto the cable
- Place the receptacle in the panel cut-out
- Insert contacts manually in the cavities for removable contacts versions
- Screw the hex nut to the bulkhead with a wrench
- Recommended tightening torques are shown in the table below.

Shell size	Tightening torque (Nm) max.	Wrench size	E Panel max. thicknesses (mm)
0	0.7	11	8.0
2	1.7	17	10.0

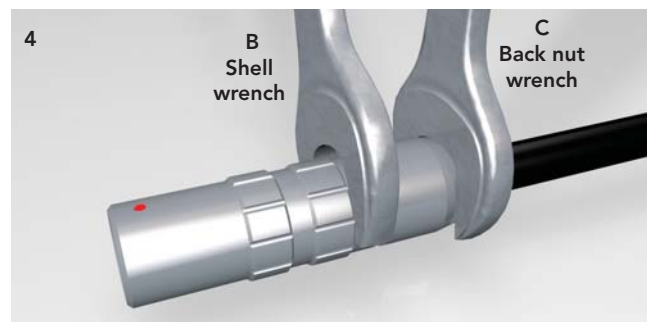


## JBX Plug Assembly Instructions (Continued)

### JBXPC Assembly (Mounting Suggestion)



- Slide the Protective boot/Back nut boot or the Back nut standard onto the cable
- Select the proper Collet according to the cable diameter specification (see page 251) and slide it onto the cable
- Strip external cable jacket and wire (see dimension pages 231 & 232)
- Solder or crimp contacts (see pages 231 & 232)
- Place the two half bushes on the insert making sure that the insert keyway appears through the window of the half bushing (fig. 2)
- Place the collet and the half bushes while maintaining the screen. Half bush keys must be seated in the collet keyway (fig. 3)
- If the cable has shielding, fold back the braid so that it is covering the outside diameter of the collet. Braid must be between the collet and half bushes (fig 3A)
- Place all the sub-assembly in the connector housing making sure to keep sub-assembly aligned (fig. 3). Respect the red dot and window alignment
- Install the back nut or the back nut boot and screw it on to the threads
- Use two wrenches to finalize the screwing
- Recommended tightening torques are shown in the table below.



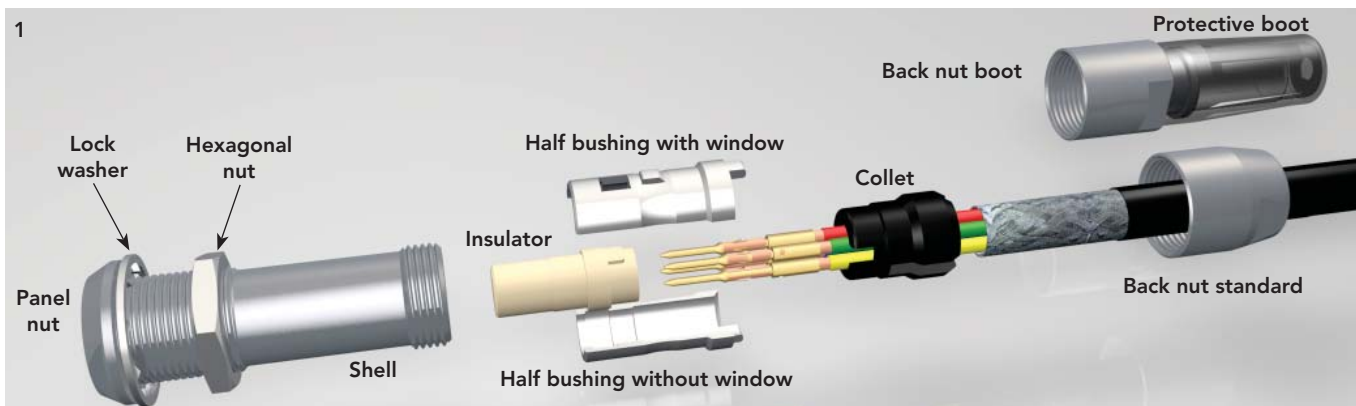
Shell size	Tightening torque (Nm) max.		Wrench size	
	B	C	B	C
0	0.8	0.8	9	8
1	1.0	1.0	11	10
2	1.5	1.5	14	13

Note : Assembly operations mentioned above shall not interfere or to be in contradiction with the IPC-WHMA-A-620B

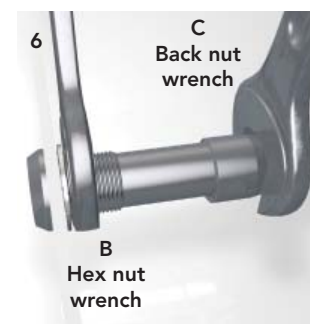
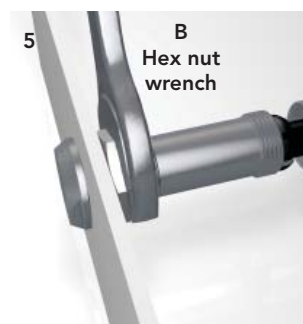
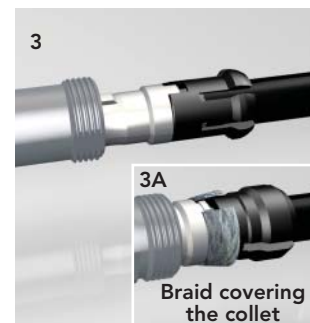
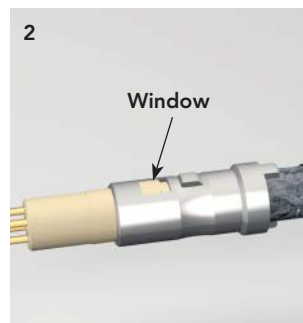
Note: all dimensions are in mm

## JBX Plug Assembly Instructions (Continued)

### JBXSA Assembly (Mounting Suggestion)

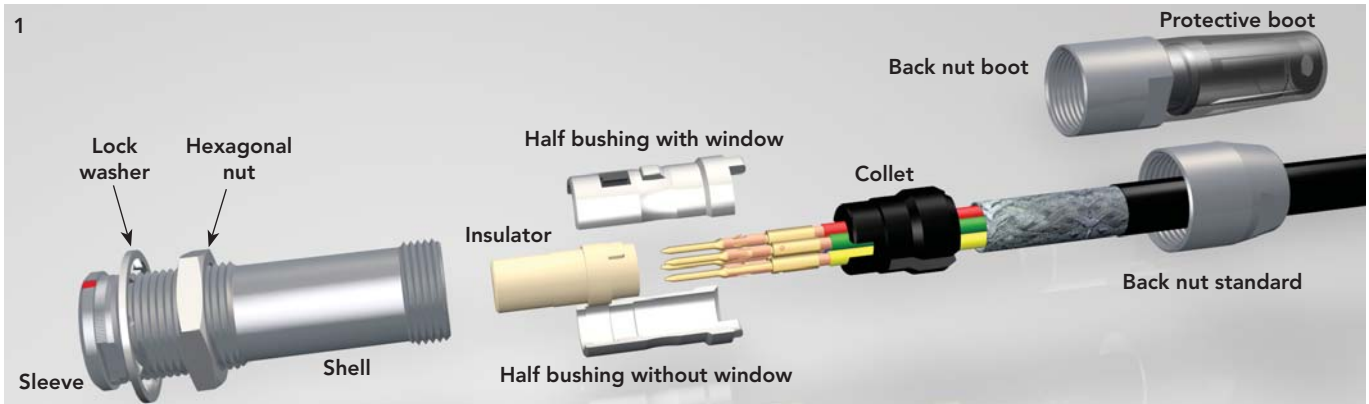


- Slide the Protective boot/Back nut boot or the Back nut standard onto the cable
- Select the proper Collet according to the cable diameter specification (see page 251) and slide it onto the cable
- Strip external cable jacket and wire (see dimension pages 231 & 232)
- Solder or crimp contacts (see pages 231 & 232)
- Place the two half bushes on the insert making sure that the insert keyway appears through the window of the half bushing (fig. 2)
- Place the collet and the half bushes while maintaining the screen. Half bush keys must be seated in the collet keyway (fig. 3)
- If the cable has shielding, fold back the braid so that it is covering the outside diameter of the collet. Braid must be between the collet and half bushes (fig 3A)
- Place all the sub-assembly in the connector housing making sure to keep sub-assembly aligned (fig. 3).
- Install the back nut or the back nut boot and screw it on to the threads
- Tighten the panel nut hand tight (fig. 4)
- Use two wrenches to finalize the screwing (fig. 5 & 6)
- Recommended tightening torques are shown in the table below.

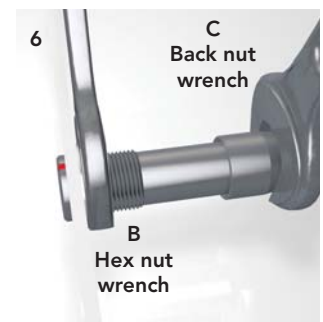
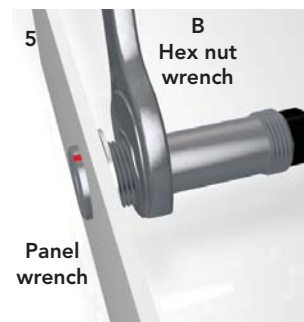
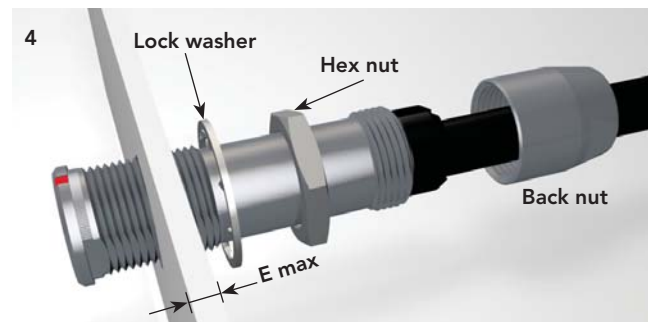
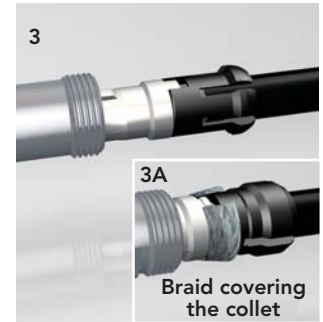
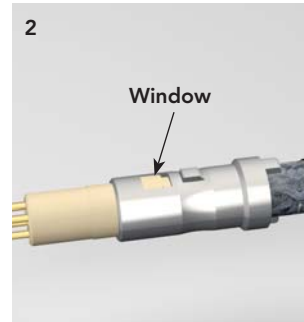


Shell size	Tightening torque (Nm) max.		Wrench size		E Panel max. thicknesses (mm)
	B	C	B	C	
2	1.7	1.5	17	13	6.5

**JBXSR Assembly (Mounting Suggestion)**



- Slide the Protective boot/Back nut boot or the Back nut standard onto the cable
- Select the proper Collet according to the cable diameter specification (see page 251) and slide it onto the cable
- Strip external cable jacket and wire (see dimension pages 231 & 232)
- Solder or crimp contacts (see pages 231 & 232)
- Place the two half bushes on the insert making sure that the insert keyway appears through the window of the half bushing (fig. 2)
- Place the collet and the half bushes while maintaining the screen. Half bush keys must be seated in the collet keyway (fig. 3)
- If the cable has shielding, fold back the braid so that it is covering the outside diameter of the collet. Braid must be between the collet and half bushes (fig 3)
- Insert the receptacle in the panel cut out, respect the orientation (fig. 4)
- Place all the sub-assembly in the connector housing making sure to keep sub-assembly aligned (fig. 4). Respect the red dot and window alignment.
- Install the back nut or the back nut boot and screw it on to the threads
- Screw the hex nut with a wrench (fig. 5)
- Use two wrenches to finalize the screwing (fig. 6)
- Recommended tightening torques are shown in the table below.



Shell size	Tightening torque (Nm) max.		Wrench size		E Panel max. thicknesses (mm)
	B	C	B	C	
0	0.7	0.8	11	8	8.0
1	1.3	1.0	14	10	10.0
2	1.7	1.5	17	13	10.0
3	2.0	2.0	21	15	12.0

Note : Assembly operations mentioned above shall not interfere or to be in contradiction with the IPC-WHMA-A-620B

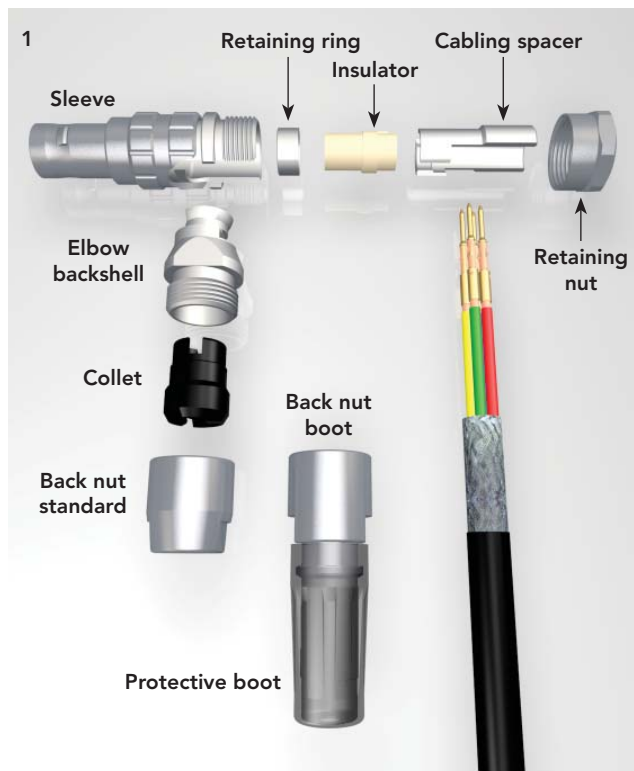
Note: all dimensions are in mm



## JBX Plug Assembly Instructions (Continued)

### JBXFC & JBXFM Assembly (Mounting Suggestion)

- Slide the Protective boot/Back nut boot or the Back nut standard onto the cable
- Select the proper Collet according to the cable diameter specification (see page 251) and slide it onto the cable (fig. 2)
- Slide the Elbow backshell onto the cable (fig. 2)
- If the cable has shielding, fold back the braid so that it is covering the outside diameter of the collet. Braid must be between the collet and half bushes (fig 2A)
- Strip external cable jacket and wire (see dimension pages 231 & 232)
- Solder or crimp contacts (see pages 231 & 232)
- Place the cabling spacer onto the cables
- Insert the contacts into the insulator.
- Slide the Cabling spacer on the Insulator (fig. 3)
- Slide the Retaining ring on the Insulator (fig. 3)
- Position the wires at 90° then place the assembly (Elbow backshell + Cabling spacer + Insulator) inside the sleeve (fig. 3)
- Ensure that the milled flat of the elbow outlet is facing to the rear of the plug housing (fig. 4)
- Tighten the retaining nut with a wrench (fig. 5)
- Install the back nut or the back nut boot and screw it on to the thread
- Use two wrenches to finalize the screwing (fig. 6)
- Recommended tightening torques are shown in the table below.



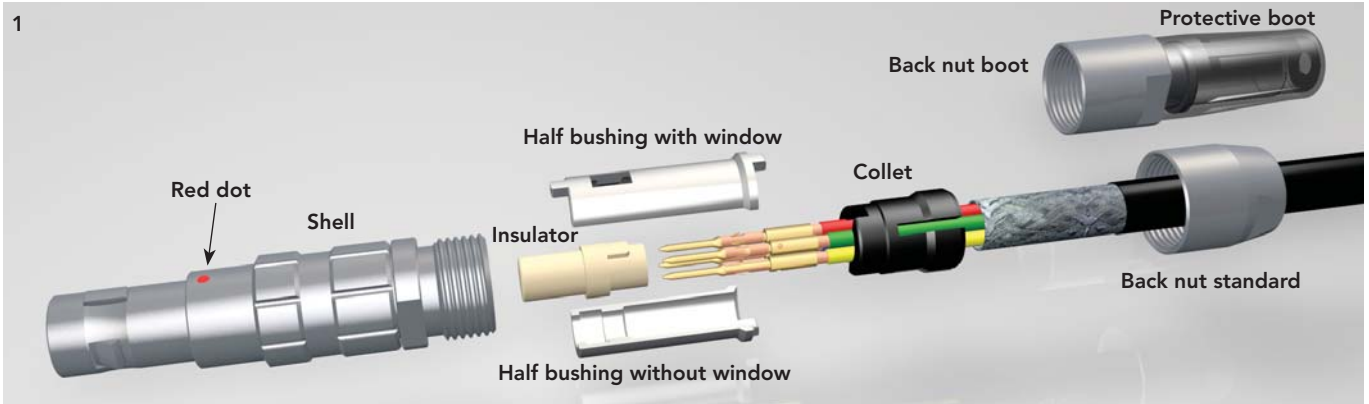
Shell size	Tightening torque (Nm) max.			Wrench size		
	A	B	C	A	B	C
0	0.4	-	0.8	10	8	8
1	0.4	-	1.0	12	10	10
2	0.5	-	1.5	15	13	13
3	0.5	-	2.0	17	15	15



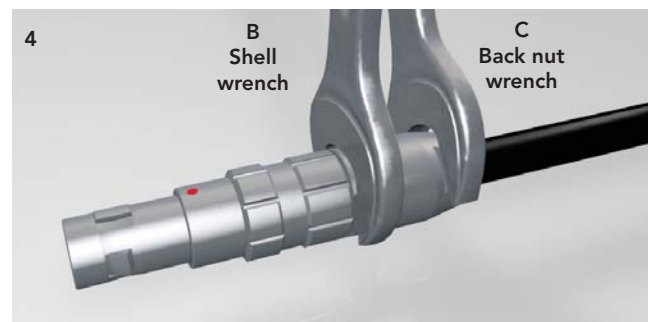
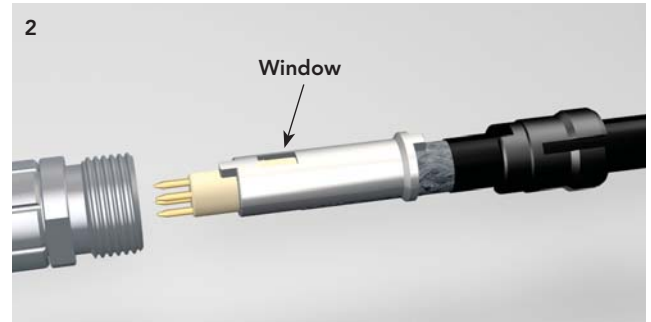
Note: all dimensions are in mm

Note : Assembly operations mentioned above shall not interfere or to be in contradiction with the IPC-WHMA-A-620B

**JBXFD, JBXFG, JBXFN & JBXFH Assembly (Mounting Suggestion)**



- Slide the Protective boot/Back nut boot or the Back nut standard onto the cable
- Select the proper Collet according to the cable diameter specification (see page 251) and slide it onto the cable
- Strip external cable jacket and wire (see dimension pages 231 & 232)
- Solder or crimp contacts (see pages 231 & 232)
- Place the two half bushes on the insert making sure that the insert keyway appears through the window of the half bushing (fig. 2)
- Place the collet and the half bushes while maintaining the screen. Half bush keys must be seated in the collet keyway (fig. 3)
- If the cable has shielding, fold back the braid so that it is covering the outside diameter of the collet. Braid must be between the collet and half bushes (fig 3A)
- Place all the sub-assembly in the connector housing making sure to keep sub-assembly aligned (fig. 3). Respect the red dot and window alignment
- Install the back nut or the back nut boot and screw it
- Use two wrenches to finalize the screwing
- Recommended tightening torques are shown in the table below.



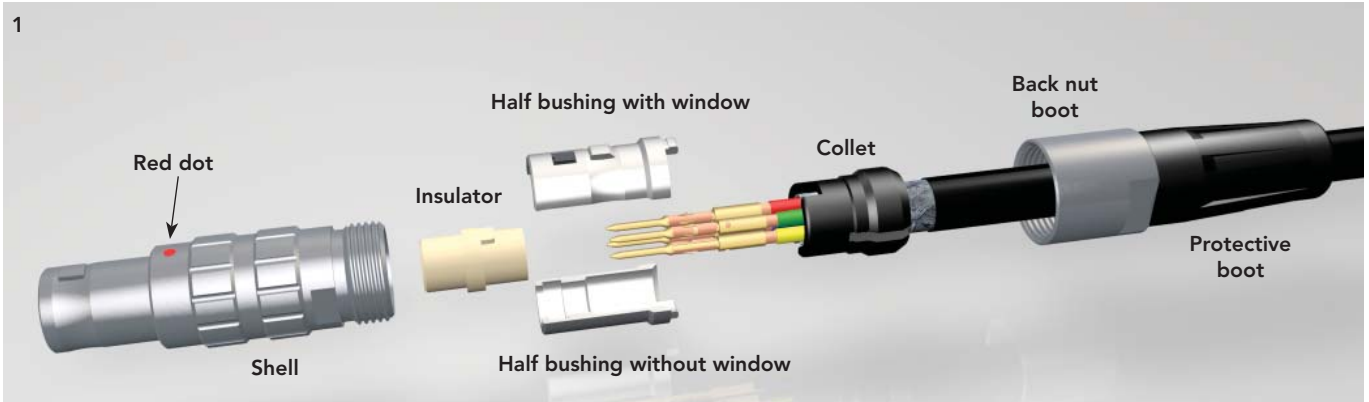
Shell size	Tightening torque (Nm) max.		Wrench size	
	B	C	B	C
00	-	0.7	6	6
0	-	0.8	9	8
1	-	1.0	11	10
2	-	1.5	14	13
3	-	2.0	16	15

Note : Assembly operations mentioned above shall not interfere or to be in contradiction with the IPC-WHMA-A-620B

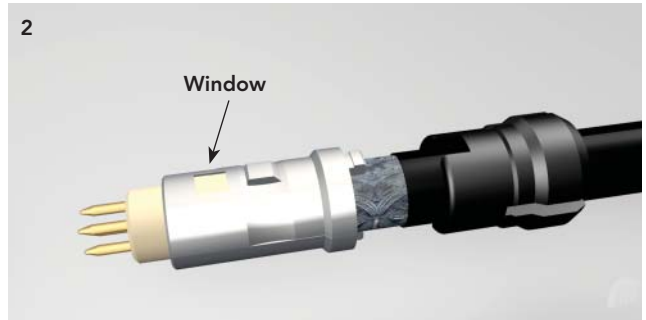
Note: all dimensions are in mm

## JBX Plug Assembly Instructions (Continued)

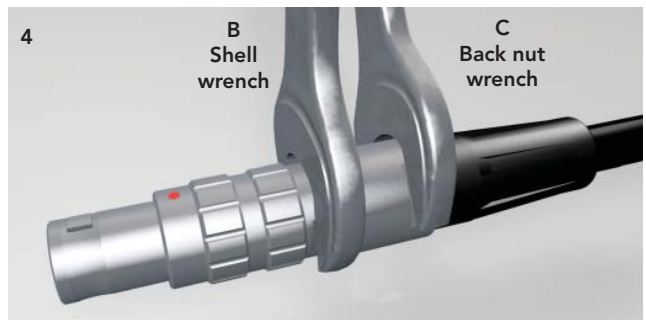
### JBXFF Assembly (Mounting Suggestion)



- Slide the Protective boot/Back nut boot or the Back nut standard onto the cable
- Select the proper Collet according to the cable diameter specification (see page 251) and slide it onto the cable
- Strip external cable jacket and wire (see dimension pages 231 & 232)
- Solder or crimp contacts (see pages 231 & 232)
- Place the two half bushes on the insert making sure that the insert keyway appears through the window of the half bushing (fig. 2)
- Place the collet and the half bushes while maintaining the screen. Half bush keys must be seated in the collet keyway (fig. 3)
- If the cable has shielding, fold back the braid so that it is covering the outside diameter of the collet. Braid must be between the collet and half bushes (fig 3A)
- Place all the sub-assembly in the connector housing making sure to keep sub-assembly aligned (fig. 3). Respect the red dot and window alignment
- Install the back nut or the back nut boot and screw it
- Use two wrenches to finalize the screwing
- Recommended tightening torques are shown in the table below.



Shell size	Shell wrench		Back nut wrench	
	Size	Torque (Nm)	Size	Torque (Nm)
1	10	-	10	1.0



Note: all dimensions are in mm

Note : Assembly operations mentioned above shall not interfere or to be in contradiction with the IPC-WHMA-A-620B



## Collets Selection According to Cable Diameters



Collet number	Cable diameter (mm)				
	Shell size 00	Shell size 0	Shell size 1	Shell size 2	Shell size 3
1	1.1 to 1.9	1.5 to 2.5	2.0 to 2.5	3.5 to 4.7	4.9 to 6.0
2	2.0 to 2.8	2.6 to 3.5	2.6 to 3.5	4.8 to 5.7	6.1 to 7.2
3	2.9 to 3.5	3.6 to 4.5	3.6 to 4.5	5.8 to 6.7	7.3 to 8.4
4	-	4.6 to 5.5	4.6 to 5.5	6.8 to 7.7	8.5 to 9.6
5	-	-	5.6 to 6.6	7.8 to 8.7	9.7 to 10.8
6	-	-	6.7 to 7.5	8.8 to 9.7	10.9 to 12.0

Note: all dimensions are in mm

## Rated Current & Working Voltage

### Current Carrying Capacity

The current carrying capacity of a connector is limited by the thermal properties of materials used in its construction. The amount of current that can be handled depends on the size of cable used, the ambient temperature and the heat that is generated inside the connector. Part 3 of the IEC 60512 standard determines through a derating curve, the maximum current permissible, which varies from one layout to another (Fig.1 & Fig.2). Wire size plays an important role in dissipating heat and avoid overheating (Fig.1 & Fig.3).

Please note that the curve should be adjusted when dealing with potential hot spots, which can occur as a result of unequal loading of current across a number of contacts. As a general rule, it is best to avoid placing power handling contacts in the middle of the connector; try to locate them towards the edge where heat can be dissipated more effectively. Eventually you should find a level which represents the permissible operating range:

**Fig.1: JBX2-001 (Power Derating curve - Signal Contact Fixed at 2A)**



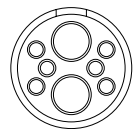
**Connector rating:**

- Power Contact : 26A at 30°C T-Rise
- Signal Contact : 2A

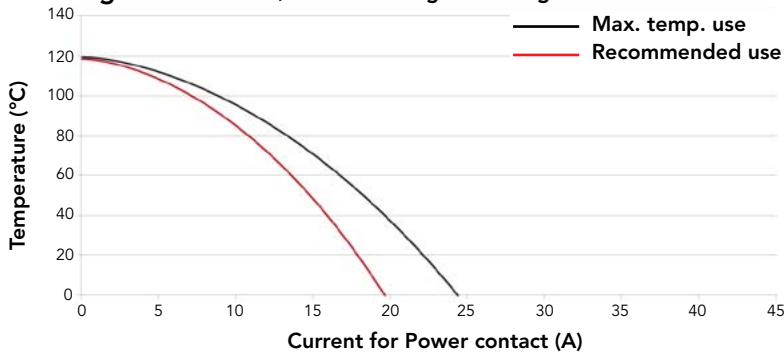
Signal Contact (cable awg 26) is powered at 2A  
Power Contact (cable awg 16): 0 to 35 A

**8 contacts**

2A 700V  
6 x Ø 1.3  
2 x Ø 2.0



**Fig.2: JBX2-001(Power Derating curve - Signal Contact Fixed at 2A)**



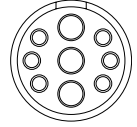
**Connector rating:**

- Power Contact: 17A at 30°C T-Rise
- Signal Contact: 2A

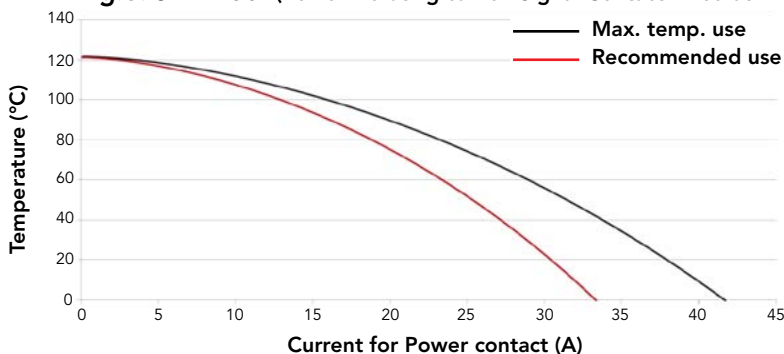
Signal Contact (cable awg 26) is powered at 2A,  
Power Contact (cable awg 20): 0 to 25 A

**9 contacts**

2A 700V  
6 x Ø 0.7  
3 x Ø 1.3



**Fig.3: JBX2-001(Power Derating curve - Signal Contact Fixed at 2A)**



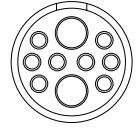
**Connector rating:**

- Power Contact: 26A at 30°C T-Rise
- Signal Contact: 2A

Signal Contact (cable awg 26) is powered at 2A,  
Power Contact (cable awg 18): 0 to 40 A

**10 contacts**

2A 700V  
8 x Ø 0.7  
2 x Ø 1.6



The **rated current** is defined as uninterrupted continuous current that a connector can take when all contacts are energized simultaneously without exceeding the maximum limit of temperature. The earth contact is never loaded.

## Shielding Effectiveness/Corrosion

### Shielding Effectiveness

EMC (Electro-Magnetic Compatibility) means a device (e.g. a connector) can tolerate interferences and continue to work properly.  
 It's generally measured via the shielding effectiveness.  
 This value is a ratio between the power radiated inside to the maximum power interferences outside.

$$(dB) = 10 \log \frac{P_{in}}{P_{out}}$$

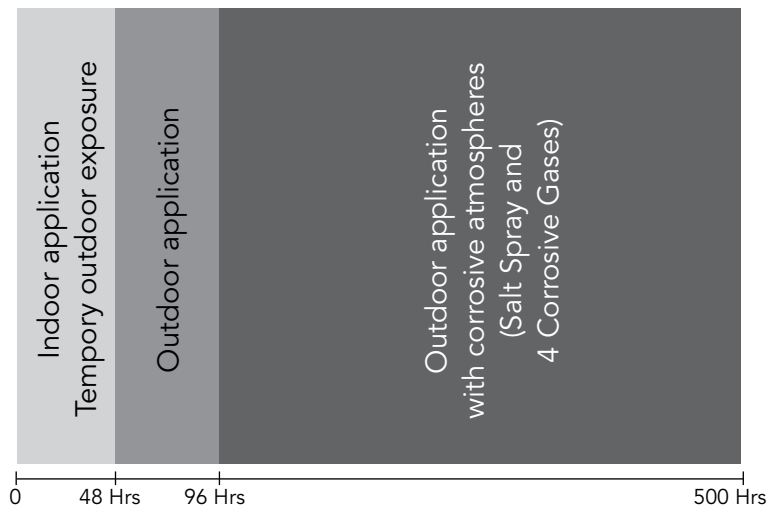
Pin: Power in  
 Pout: Power out



### Corrosion Resistance

Control of corrosion impact on electronic devices is an important expertise. Metal connectors suitable for outdoor and indoor use should be able to withstand climate ingress, exposure to salt spray and corrosive gases while still maintaining mechanical and electrical functionality.

Over the years, many different test methods have been developed but never really captured the exact equivalence between testing scenarios and real electronic device exposure to corrosive environments. SOURIAU has been developing, manufacturing and testing connector solutions for more than 90 years and has developed a unique corrosion test based on Salt Spray exposure combined with four additional corrosive gases. Typical industrial applications may involve exposure to corrosive atmospheres equivalent to 48 or 96 hours. SOURIAU's JBX product series has been validated to withstand corrosive agent exposure at these timeframes. In addition, we can offer different solutions and plating options to withstand longer corrosion exposure times and test up to 500 hours.



## UL94 + UL1977



There are two main standards for industrial connectors: UL94 & UL1977

### UL94

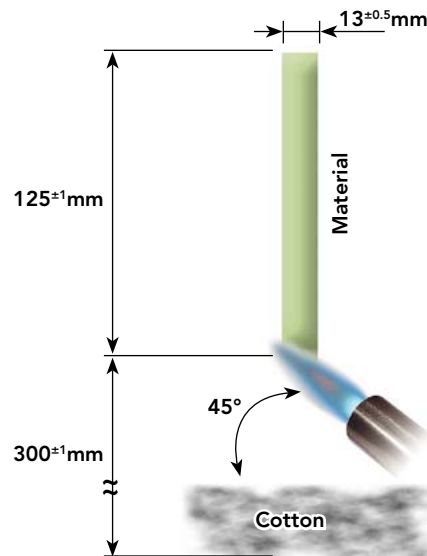
This standard is dedicated to plastics flammability. It characterizes how the material burns in various orientation and thicknesses.

The JBX series has been rated at **V-0** & **HB**.

Procedure: A specimen is supported in a vertical or horizontal position and a flame is applied to the bottom of the specimen. The flame is applied for ten seconds and then removed until flaming stops, at which time the flame is reapplied for another ten seconds and then removed. Two sets of five specimens are tested.

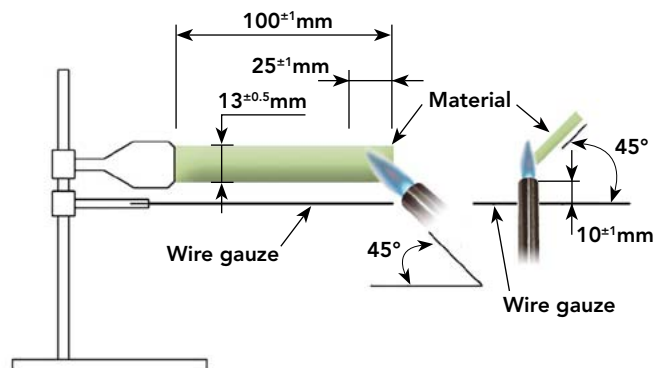
#### V-0 Vertical burning:

- Specimens must not burn with flaming combustion for more than 10 seconds after each test flame application
- Total flaming combustion time must not exceed 50 seconds for each set of 5 specimens
- Specimens must not burn with flaming or glowing combustion up to the specimen holding clamp
- Specimens must not drip flaming particles that ignite the cotton
- No specimen can have glowing combustion remain for longer than 30 seconds after removal of the test flame.



#### HB Horizontal burning:

- A material classified HB shall not have a burning rate exceeding 40 mm per minute over a 75 mm span for specimens having a thickness of 3.0 to 13 mm
- A material classified HB shall not have a burning rate exceeding 75 mm per minute over a 75 mm span for specimens having a thickness less than 3.0 mm
- A material classified HB shall cease to burn before the 100 mm reference mark.



## UL1977

There are several standards which deal with plug and receptacle. Each of them is only for a small area of applications. It could be telecommunication, etc. The UL 1977 covers single and multipole connectors intended for factory assembly.

Requirements apply to devices taking into account intensity and voltage. The categories are as follows:

	0	30 V (42 V peak)	600 V
0	Type 0		Type 1A
8.3 A	Type 1B		Type 2
31 A			Type 3
200 A	Type 4		
1000 A			

According to above table, the level of performance that has to be reached could be different. Most of them are explained in the following page.

### Insulating materials:

Material uses for electrical insulation, as a minimum, have to comply with the characteristics shown below:

- Minimum ratings for polymeric materials

Type	Flame rating	Relative thermal index (RTI) Electrical/mechanical w/o impact **/**
0	-	50/50
1A	HB	50/50
1B	HB	50/50
2	HB	50/50
3	HB	50/50
4	HB	50/50

\* The RTI of the material shall not be lower than the temperature measured during the Temperature Test.

\*\* For a thickness less than that for which a value has been established, the RTI of the minimum thickness with an established value shall be used.

### Assembly:

Connector has to be keyed to prevent any mismatching that can damage the machine or hurt the user. In the same way, plugs and sockets have to be equipped to protect persons against contact with live parts.

Finally the identified grounding contact shall be located so that the corresponding electrical continuity has to be completed before any other contact.

**UL94 + UL1977 (Continued)**



**UL1977**

**Spacing:**

For a 250V max connector, distance through air or over material shall be 1.2mm whereas from 250V to 600V connector the spacing is 3.2mm minimum. These distances have to be taken between uninsulated live parts as shown in the matrix below:

• **Applicability of spacing requirements**

Type	Uninsulated live part - uninsulated live part of opposite polarity	Uninsulated live part - uninsulated grounded metal part	Uninsulated live part - exposed dead metal part
0	No	No	No
1A	Yes	Yes	Yes
1B	Yes	Yes	No
2	Yes	Yes	Yes
3	Yes	Yes	Yes
4	Yes	Yes	Yes

An alternative way to determine voltage rating is with the Dielectric-Withstand test. If during one minute there is no arc-over or breakdown the rated voltage is given as shown below:

- a) 500 volts for a type 1B device
- b) 1000 volts plus twice rated voltage for types 1A, 2, 3 and 4 devices.

**Marking:**

A device shall be legibly marked with the manufacturer's trade name, trade mark, or other descriptive marking by which the organization responsible for the product may be identified. (Exception: If the device is too small, or where the legibility would be difficult to attain, the manufacturer's name, trademark, or other descriptive marking may appear on the smallest unit container or carton)

The following shall be marked on the device or on the smallest unit container or carton or on a stuffer sheet in the smallest unit container or carton:

- a) The catalog number or an equivalent designation
- b) The electrical rating in both volts and amperes, if assigned
- c) Whether ac or dc, if restricted
- d) Flammability class, if identified

Example - Marking for the arrangement 10-3: 10A 500V UL94 V-0

## What is NEMA Rating ?

- NEMA ratings vs IP ratings

Whereas IP ratings only consider protection against ingress of foreign bodies (first digit) and ingress of water (second digit), NEMA ratings consider these but also verify protection from external ice, corrosive materials, oil immersion, etc.

The correlation between NEMA & IP being limited only to dust and water, we can state that a NEMA type is equivalent to an IP rating but it is not possible to say the contrary.

Below a list of some NEMA standards:

Enclosure rating	IP20	IP22	IP55	IP64	IP65	IP66	IP67
Type 1	•						
Type 3				•			
Type 3R		•					
Type 3S				•			
Type 4						•	
Type 4X						•	
Type 6							•
Type 12			•				
Type 13					•		

• indicates compliance

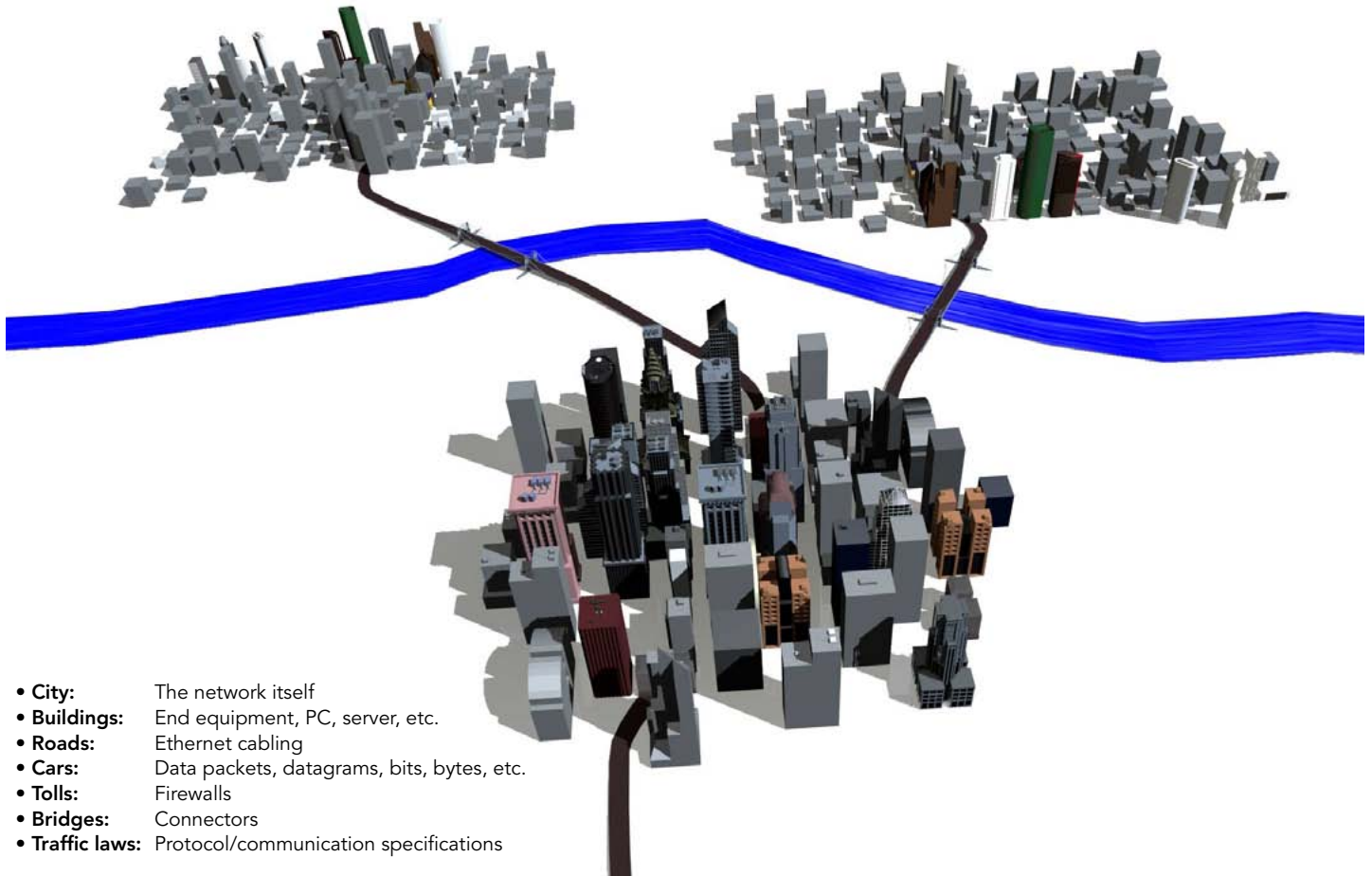


Type 6 rating can be either Type 6 or Type 6P - please see below:

6	IP67	Enclosures constructed for either indoor or outdoor use to provide a degree of protection to personnel against incidental contact with the enclosed equipment, falling dirt, hose-directed water, the entry of water during <b>occasional temporary</b> submersion at a limited depth and damage from external ice formation.
6P	IP67	Enclosures constructed for either indoor or outdoor use to provide a degree of protection to personnel against incidental contact with the enclosed equipment, falling dirt, hose-directed water, the entry of water <b>during prolonged</b> submersion at a limited depth and damage from external ice formation.

## Ethernet for the Layman

In order to explain basic Ethernet theory, we can use a functional comparison to a busy city with highways, buildings and cars. To illustrate this, the table below provides correlation between the different components/pieces/links that encompass Ethernet network connectivity, and the larger scale infrastructure of a metropolitan city.



- **City:** The network itself
- **Buildings:** End equipment, PC, server, etc.
- **Roads:** Ethernet cabling
- **Cars:** Data packets, datagrams, bits, bytes, etc.
- **Tolls:** Firewalls
- **Bridges:** Connectors
- **Traffic laws:** Protocol/communication specifications

### Ethernet Basics

Ethernet is a widely used communications protocol that is used to transmit data packets (datagrams) between network devices. Imagine a highway in a large metropolitan area six lanes wide at rush hour. The vehicles on the highway need rules to follow so that they get to their destination without crashing into each other. In an Ethernet network link, there could be 100 million bits of information transmitted in one second. In the Ethernet standard, there exist rules to govern packet structure, transmission requirements, error correction, communication with end equipment, etc.

### Examining the differences between 100Mhz, 100 Base TX, Cat5e/Cat6. What does it all mean?

When discussing connectors and Ethernet, there are a few key details to be aware of:

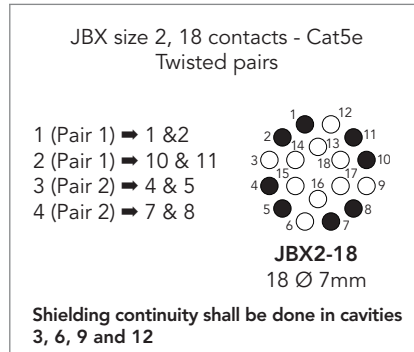
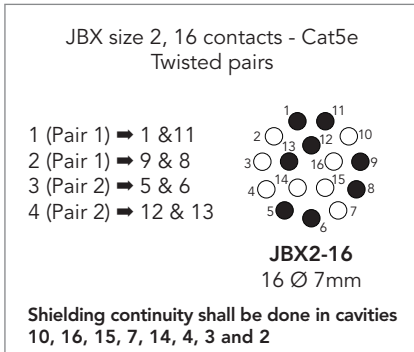
- 100Mhz is a measurement of Frequency for the signal
  - Comparable to the Speed Limit of a highway
- 100BaseTX (or Fast Ethernet) is an Ethernet link standard and identifies available link bandwidth. The bandwidth is measured in units of Mbits/S (megabits per second)
  - Comparable to the number of cars that pass a point in one second
- Cat5e/Cat6 are an EIA/TIA standard for performance and physical characteristics for cables and connectors
  - Comparable to performance specifications of the car and highway.

In connectors and cables, Fast Ethernet uses 2 pairs. One for transmit and one for receive. This way data traffic can flow in both directions simultaneously.



## Souriau offering:

Standard solutions.



## Conclusion

To carry 100Mb/s data signal, 100BaseTX or Fast Ethernet recommends the use of Cat5e connectors as well as Cat5e cable with the support of a 100MHz signal. Nevertheless, a 100Mb/s signal can be transmitted in certain conditions (short distance, only one connector, lower frequency but a different code) thru many other connection materials - not necessarily Cat5e rated.

# JBX SERIES

# Appendices

■ Glossary of Terms .....	262
■ Drilling Pattern .....	263
■ Part Number Index .....	271

## Glossary of Terms

- **Clearance**

Per the IEC 60664-1 it is the shortest distance between two conductive parts even over the air.

- **Creepage distance**

Per the IEC 60664-1 it represents the shortest distance along the surface of the insulating material between two conductive parts.

- **Working voltage**

Per the IEC 60664-1 it is the highest r.m.s. value of A.C. or D.C. voltage across any particular insulation which can occur when the equipment is supplied at rated voltage.

- **Rated impulse voltage**

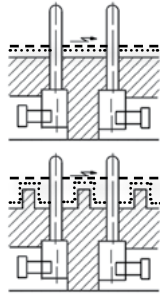
Impulse withstands voltage value assigned by the manufacturer to the equipment or to a part of it characterizing the specified withstand capability of its insulation against transient overvoltage.

- **Working current**

It is the maximum continuous and not interrupted current able to be carried by all contacts without exceeding the maximum temperature of the insulating material.

- **Transient voltage**

Extract from the IEC 60664-1: Short duration overvoltage of a few millisecond or less, oscillatory or non-oscillatory, usually highly damped.



— — — — Air gap  
 ..... Creepage distance

- **CTI (Comparative Tracking Index)**

The CTI value is commonly used to characterize the electrical breakdown properties of an insulating material. It allows users to know the tendency to create creepage paths. This value represents the maximum voltage after 50 drops of ammonium chloride solution without any breakdown.

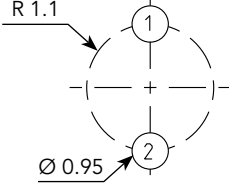
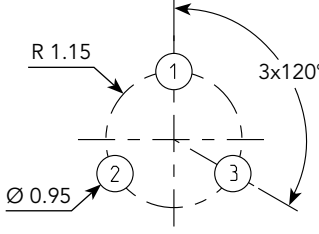
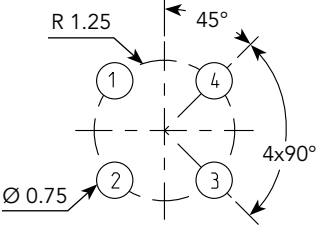
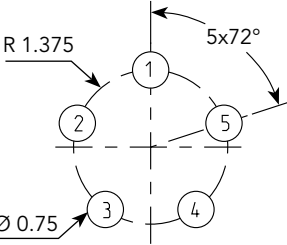
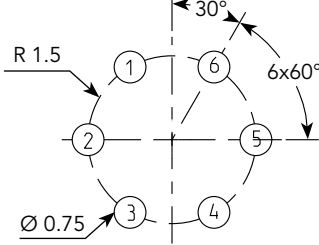
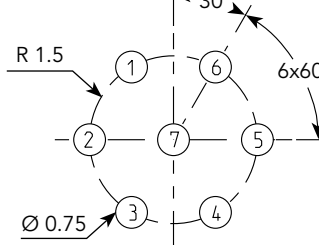
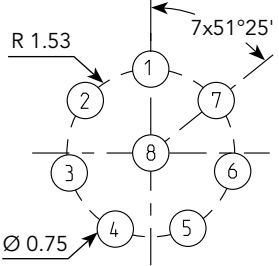
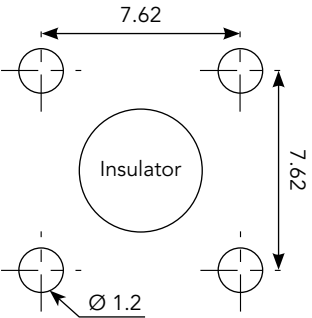
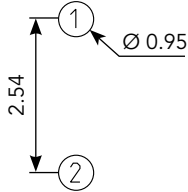
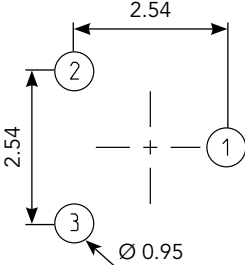
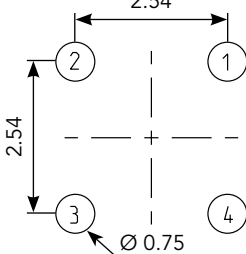
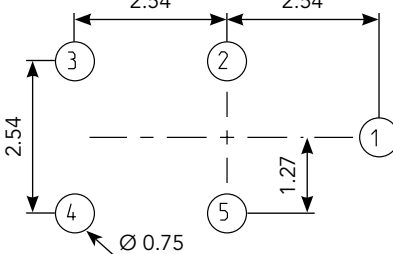
- **RTI (Relative temperature Index):**

Extract from ULs website:

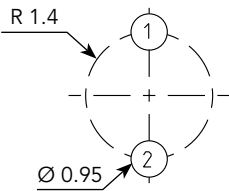
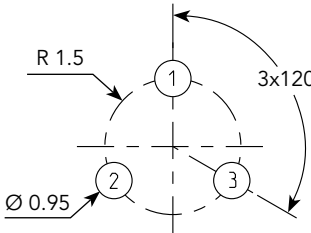
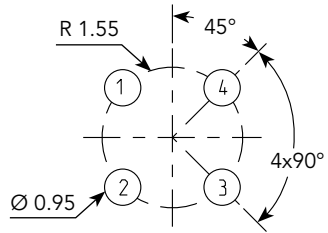
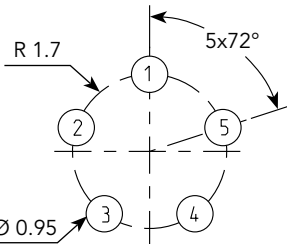
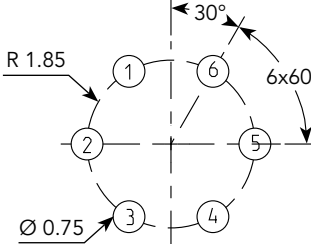
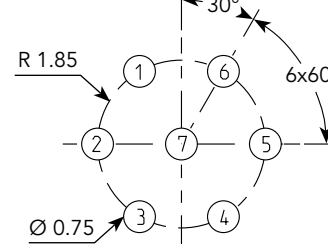
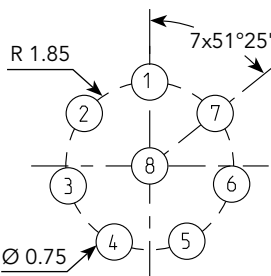
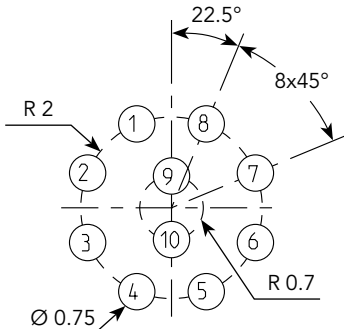
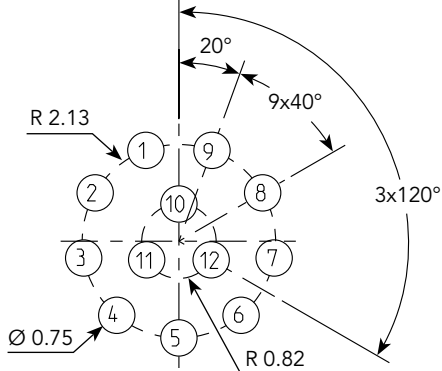
Maximum service temperature for a material, where a class of critical property will not be unacceptably compromised through chemical thermal degradation, over the reasonable life of an electrical product, relative to a reference material having a confirmed, acceptable corresponding performance defined RTI.

- **RTI Elec:** Electrical RTI, associated with critical electrical insulating properties.
- **RTI Mech Imp:** Mechanical Impact RTI, associated with critical impact resistance, resilience and flexibility properties.
- **RTI Mech Str:** Mechanical Strength (Mechanical without Impact) RTI, associated with critical mechanical strength where impact resistance, resilience and flexibility are not essential.

# Drilling Pattern - Female Insulator

Shell Size	Dimensions (mm)		
0	<b>Straight PCB Contacts</b>		
	<p style="text-align: center;"><b>JBX0-02</b></p> 	<p style="text-align: center;"><b>JBX0-03</b></p> 	<p style="text-align: center;"><b>JBX0-04</b></p> 
	<p style="text-align: center;"><b>JBX0-05</b></p> 	<p style="text-align: center;"><b>JBX0-06</b></p> 	<p style="text-align: center;"><b>JBX0-07</b></p> 
<p style="text-align: center;"><b>JBX0-08</b></p> 	<b>90° PCB Contacts</b>		
<p style="text-align: center;"><b>Mounting Pins</b></p> 	<p style="text-align: center;"><b>JBX0-02</b></p> 	<p style="text-align: center;"><b>JBX0-03</b></p> 	
	<p style="text-align: center;"><b>JBX0-04</b></p> 	<p style="text-align: center;"><b>JBX0-05</b></p> 	

Drilling Pattern - Female Insulator (Continued)

Shell Size	Dimensions (mm)		
1	<b>Straight PCB Contacts</b>		
	<b>JBX1-02</b>	<b>JBX1-03</b>	<b>JBX1-04</b>
			
	<b>JBX1-05</b>	<b>JBX1-06</b>	<b>JBX1-07</b>
			
	<b>JBX1-08</b>	<b>JBX1-10</b>	<b>JBX1-12</b>
			

Shell Size	Dimensions (mm)		
1	<b>90° PCB Contacts</b>		
	<p><b>JBX1-03</b></p>	<p><b>JBX1-04</b></p>	<p><b>JBX1-05</b></p>
	<p><b>JBX1-06</b></p>	<p><b>JBX1-07</b></p>	<p><b>Mounting Pins</b></p>
	<p><b>JBX1-08</b></p>		

Drilling Pattern - Female Insulator (Continued)

Shell Size	Dimensions (mm)
2	<p style="text-align: center;"><b>Straight PCB Contacts</b></p> <div style="display: flex; flex-wrap: wrap; justify-content: space-around;"> <div style="width: 45%;"> <p style="text-align: center;"><b>JBX2-04</b></p> </div> <div style="width: 45%;"> <p style="text-align: center;"><b>JBX2-05</b></p> </div> <div style="width: 45%;"> <p style="text-align: center;"><b>JBX2-06</b></p> </div> <div style="width: 45%;"> <p style="text-align: center;"><b>JBX2-07</b></p> </div> <div style="width: 45%;"> <p style="text-align: center;"><b>JBX2-08</b></p> </div> <div style="width: 45%;"> <p style="text-align: center;"><b>JBX2-10</b></p> </div> <div style="width: 45%;"> <p style="text-align: center;"><b>JBX2-12</b></p> </div> </div>

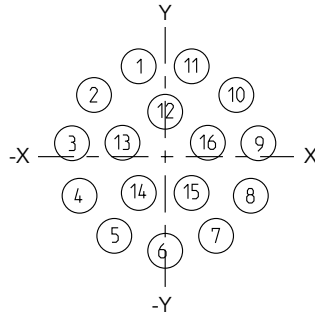


Shell Size

Dimensions (mm)

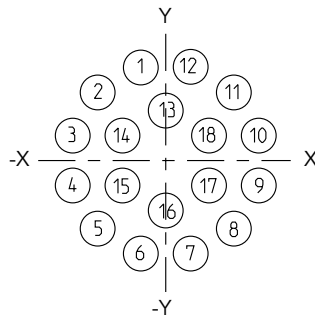
**Straight PCB Contacts**

**JBX2-16**



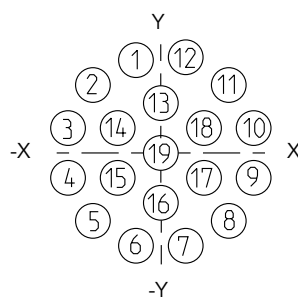
Rep	1	2	3	4	5	6	7	8	9	10	11	12	13	14	15	16
X	-0.92	-2.48	-3.24	-2.98	-1.77	0	1.77	2.98	3.24	2.48	0.92	0	-1.47	-0.91	0.91	1.47
Y	3.14	2.15	0.48	-1.36	-2.76	-3.28	-2.76	-1.36	0.47	2.15	3.14	1.55	0.48	-1.25	-1.25	0.48

**JBX2-18**



Rep	1	2	3	4	5	6	7	8	9	10	11	12	13	14	15	16	17	18
X	-0.86	-2.35	-3.21	-3.21	-2.35	-0.86	0.86	2.35	3.21	3.21	2.35	0.86	0	-1.49	-1.49	0	1.49	1.49
Y	3.21	2.35	0.86	-0.86	-2.35	-3.21	-3.21	-2.35	-0.86	0.86	2.35	3.21	1.73	0.86	-0.86	-1.73	-0.86	0.86

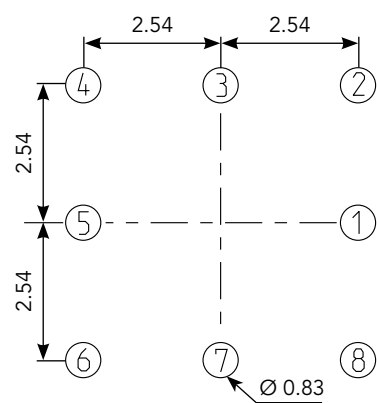
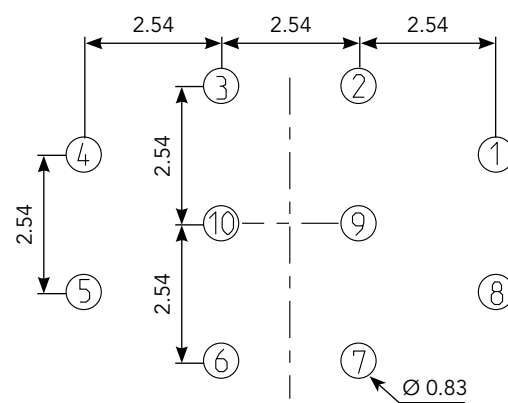
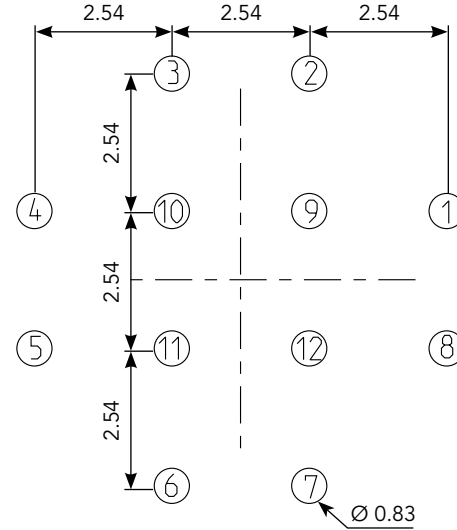
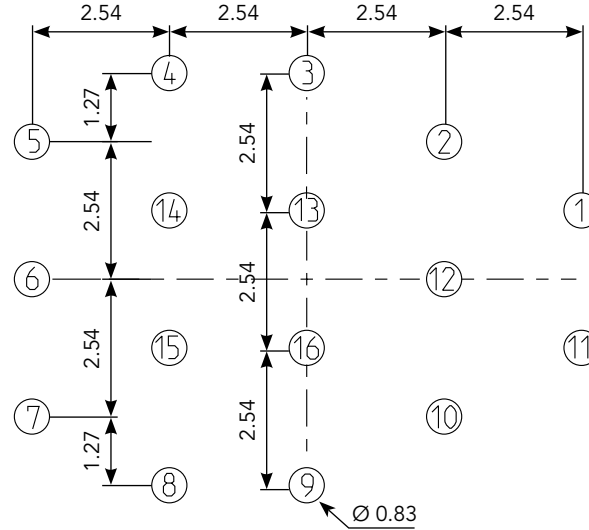
**JBX2-19**

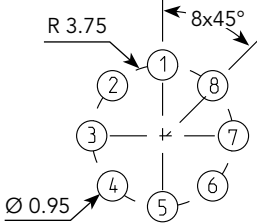
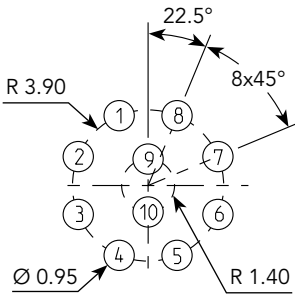
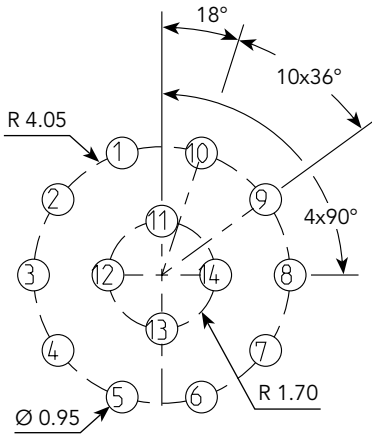
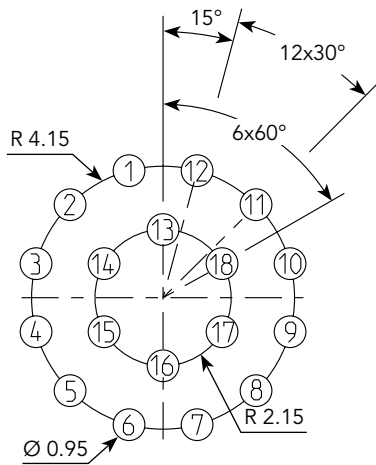


Rep	1	2	3	4	5	6	7	8	9	10	11	12	13	14	15	16	17	18	19
X	-0.86	-2.35	-3.21	-3.21	-2.35	-0.86	0.86	2.35	3.21	3.21	2.35	0.86	0	-1.49	-1.49	0	1.49	1.49	0
Y	3.21	2.35	0.86	-0.86	-2.35	-3.21	-3.21	-2.35	-0.86	0.86	2.35	3.21	1.73	0.86	-0.86	-1.73	-0.86	0.86	0

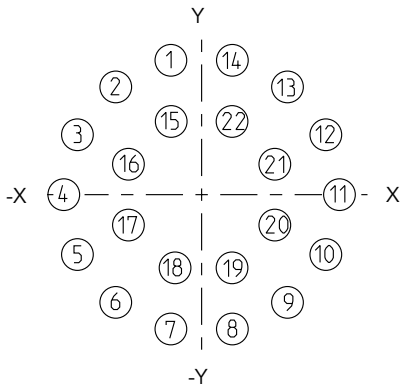
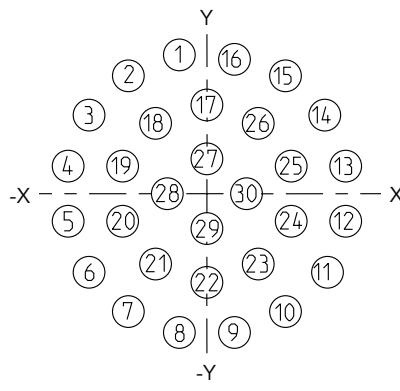
2

Drilling Pattern - Female Insulator (Continued)

Shell Size	Dimensions (mm)	
2	<b>90° PCB Contacts</b>	
	<p><b>JBX2-08</b></p> 	<p><b>JBX2-10</b></p> 
	<p><b>JBX2-12</b></p> 	<p><b>JBX2-16</b></p> 

Shell Size	Dimensions (mm)	
3	<b>Straight PCB Contacts</b>	
	<p><b>JBX3-08</b></p> 	<p><b>JBX3-10</b></p> 
	<p><b>JBX3-14</b></p> 	<p><b>JBX3-18</b></p> 

Drilling Pattern - Female Insulator (Continued)

Shell Size	Dimensions (mm)																																																																																																																																																																			
<b>3</b>	<b>Straight PCB Contacts</b>																																																																																																																																																																			
	<p><b>JBX3-22</b></p> 	<p><b>JBX3-30</b></p> 																																																																																																																																																																		
	<table border="1"> <thead> <tr> <th>Rep</th> <th>X</th> <th>Y</th> </tr> </thead> <tbody> <tr><td>1</td><td>-0.97</td><td>4.24</td></tr> <tr><td>2</td><td>-2.71</td><td>3.40</td></tr> <tr><td>3</td><td>-3.92</td><td>1.89</td></tr> <tr><td>4</td><td>-4.35</td><td>0</td></tr> <tr><td>5</td><td>-3.92</td><td>-1.89</td></tr> <tr><td>6</td><td>-2.71</td><td>-3.40</td></tr> <tr><td>7</td><td>-0.97</td><td>-4.24</td></tr> <tr><td>8</td><td>0.97</td><td>-4.24</td></tr> <tr><td>9</td><td>2.71</td><td>-3.40</td></tr> <tr><td>10</td><td>3.92</td><td>-1.89</td></tr> <tr><td>11</td><td>4.35</td><td>0</td></tr> <tr><td>12</td><td>3.92</td><td>1.89</td></tr> <tr><td>13</td><td>2.71</td><td>3.40</td></tr> <tr><td>14</td><td>0.97</td><td>4.24</td></tr> <tr><td>15</td><td>-0.96</td><td>2.31</td></tr> <tr><td>16</td><td>-2.31</td><td>0.96</td></tr> <tr><td>17</td><td>-2.31</td><td>-0.96</td></tr> <tr><td>18</td><td>-0.96</td><td>-2.31</td></tr> <tr><td>19</td><td>0.96</td><td>-2.31</td></tr> <tr><td>20</td><td>2.31</td><td>-0.96</td></tr> <tr><td>21</td><td>2.31</td><td>0.96</td></tr> <tr><td>22</td><td>0.96</td><td>2.31</td></tr> </tbody> </table>	Rep	X	Y	1	-0.97	4.24	2	-2.71	3.40	3	-3.92	1.89	4	-4.35	0	5	-3.92	-1.89	6	-2.71	-3.40	7	-0.97	-4.24	8	0.97	-4.24	9	2.71	-3.40	10	3.92	-1.89	11	4.35	0	12	3.92	1.89	13	2.71	3.40	14	0.97	4.24	15	-0.96	2.31	16	-2.31	0.96	17	-2.31	-0.96	18	-0.96	-2.31	19	0.96	-2.31	20	2.31	-0.96	21	2.31	0.96	22	0.96	2.31	<table border="1"> <thead> <tr> <th>Rep</th> <th>X</th> <th>Y</th> </tr> </thead> <tbody> <tr><td>1</td><td>-0.87</td><td>4.38</td></tr> <tr><td>2</td><td>-2.48</td><td>3.72</td></tr> <tr><td>3</td><td>-3.72</td><td>2.48</td></tr> <tr><td>4</td><td>-4.38</td><td>0.87</td></tr> <tr><td>5</td><td>-4.38</td><td>-0.87</td></tr> <tr><td>6</td><td>-3.72</td><td>-2.48</td></tr> <tr><td>7</td><td>-2.48</td><td>-3.72</td></tr> <tr><td>8</td><td>-0.87</td><td>-4.38</td></tr> <tr><td>9</td><td>0.87</td><td>4.38</td></tr> <tr><td>10</td><td>2.48</td><td>-3.72</td></tr> <tr><td>11</td><td>3.72</td><td>-2.48</td></tr> <tr><td>12</td><td>4.38</td><td>-0.87</td></tr> <tr><td>13</td><td>4.38</td><td>0.87</td></tr> <tr><td>14</td><td>3.72</td><td>2.48</td></tr> <tr><td>15</td><td>2.48</td><td>3.72</td></tr> <tr><td>16</td><td>0.87</td><td>4.38</td></tr> <tr><td>17</td><td>0</td><td>2.80</td></tr> <tr><td>18</td><td>-1.62</td><td>2.22</td></tr> <tr><td>19</td><td>-2.66</td><td>0.87</td></tr> <tr><td>20</td><td>-2.66</td><td>-0.87</td></tr> <tr><td>21</td><td>-1.62</td><td>-2.22</td></tr> <tr><td>22</td><td>0</td><td>-2.80</td></tr> <tr><td>23</td><td>1.62</td><td>-2.22</td></tr> <tr><td>24</td><td>2.66</td><td>-0.87</td></tr> <tr><td>25</td><td>2.66</td><td>0.87</td></tr> <tr><td>26</td><td>1.62</td><td>2.22</td></tr> <tr><td>27</td><td>0</td><td>1.10</td></tr> <tr><td>28</td><td>-1.25</td><td>0</td></tr> <tr><td>29</td><td>0</td><td>-1.10</td></tr> <tr><td>30</td><td>1.25</td><td>0</td></tr> </tbody> </table>	Rep	X	Y	1	-0.87	4.38	2	-2.48	3.72	3	-3.72	2.48	4	-4.38	0.87	5	-4.38	-0.87	6	-3.72	-2.48	7	-2.48	-3.72	8	-0.87	-4.38	9	0.87	4.38	10	2.48	-3.72	11	3.72	-2.48	12	4.38	-0.87	13	4.38	0.87	14	3.72	2.48	15	2.48	3.72	16	0.87	4.38	17	0	2.80	18	-1.62	2.22	19	-2.66	0.87	20	-2.66	-0.87	21	-1.62	-2.22	22	0	-2.80	23	1.62	-2.22	24	2.66	-0.87	25	2.66	0.87	26	1.62	2.22	27	0	1.10	28	-1.25	0	29	0	-1.10	30	1.25	0
Rep	X	Y																																																																																																																																																																		
1	-0.97	4.24																																																																																																																																																																		
2	-2.71	3.40																																																																																																																																																																		
3	-3.92	1.89																																																																																																																																																																		
4	-4.35	0																																																																																																																																																																		
5	-3.92	-1.89																																																																																																																																																																		
6	-2.71	-3.40																																																																																																																																																																		
7	-0.97	-4.24																																																																																																																																																																		
8	0.97	-4.24																																																																																																																																																																		
9	2.71	-3.40																																																																																																																																																																		
10	3.92	-1.89																																																																																																																																																																		
11	4.35	0																																																																																																																																																																		
12	3.92	1.89																																																																																																																																																																		
13	2.71	3.40																																																																																																																																																																		
14	0.97	4.24																																																																																																																																																																		
15	-0.96	2.31																																																																																																																																																																		
16	-2.31	0.96																																																																																																																																																																		
17	-2.31	-0.96																																																																																																																																																																		
18	-0.96	-2.31																																																																																																																																																																		
19	0.96	-2.31																																																																																																																																																																		
20	2.31	-0.96																																																																																																																																																																		
21	2.31	0.96																																																																																																																																																																		
22	0.96	2.31																																																																																																																																																																		
Rep	X	Y																																																																																																																																																																		
1	-0.87	4.38																																																																																																																																																																		
2	-2.48	3.72																																																																																																																																																																		
3	-3.72	2.48																																																																																																																																																																		
4	-4.38	0.87																																																																																																																																																																		
5	-4.38	-0.87																																																																																																																																																																		
6	-3.72	-2.48																																																																																																																																																																		
7	-2.48	-3.72																																																																																																																																																																		
8	-0.87	-4.38																																																																																																																																																																		
9	0.87	4.38																																																																																																																																																																		
10	2.48	-3.72																																																																																																																																																																		
11	3.72	-2.48																																																																																																																																																																		
12	4.38	-0.87																																																																																																																																																																		
13	4.38	0.87																																																																																																																																																																		
14	3.72	2.48																																																																																																																																																																		
15	2.48	3.72																																																																																																																																																																		
16	0.87	4.38																																																																																																																																																																		
17	0	2.80																																																																																																																																																																		
18	-1.62	2.22																																																																																																																																																																		
19	-2.66	0.87																																																																																																																																																																		
20	-2.66	-0.87																																																																																																																																																																		
21	-1.62	-2.22																																																																																																																																																																		
22	0	-2.80																																																																																																																																																																		
23	1.62	-2.22																																																																																																																																																																		
24	2.66	-0.87																																																																																																																																																																		
25	2.66	0.87																																																																																																																																																																		
26	1.62	2.22																																																																																																																																																																		
27	0	1.10																																																																																																																																																																		
28	-1.25	0																																																																																																																																																																		
29	0	-1.10																																																																																																																																																																		
30	1.25	0																																																																																																																																																																		

## Part Number Index

### Connectors

JBXEA0G02FCNDS .....	P. 20	JBXEA0G07FSNDS .....	P. 112	JBXEA1G06FQNDS .....	P. 102
JBXEA0G02FCSDS .....	P. 20	JBXEA0G07FSSDS .....	P. 112	JBXEA1G06FQSDS .....	P. 102
JBXEA0G02FPNDS .....	P. 20	JBXEA0G07MPNDS .....	P. 112	JBXEA1G06FSNDS .....	P. 102
JBXEA0G02FPSDS .....	P. 20	JBXEA0G07MPSDS .....	P. 112	JBXEA1G06FSSDS .....	P. 102
JBXEA0G02FQNDS .....	P. 20	JBXEA0G07MSNDS .....	P. 112	JBXEA1G06MCNDS .....	P. 102
JBXEA0G02FQSDS .....	P. 20	JBXEA0G07MSSDS .....	P. 112	JBXEA1G06MCSDS .....	P. 102
JBXEA0G02FSNDS .....	P. 20	JBXEA0G08FPNDS .....	P. 132	JBXEA1G06MPNDS .....	P. 102
JBXEA0G02FSSDS .....	P. 20	JBXEA0G08FPSDS .....	P. 132	JBXEA1G06MPSDS .....	P. 102
JBXEA0G02MCNDS .....	P. 20	JBXEA0G08FSNDS .....	P. 132	JBXEA1G06MSNDS .....	P. 102
JBXEA0G02MCSDS .....	P. 20	JBXEA0G08FSSDS .....	P. 132	JBXEA1G06MSSDS .....	P. 102
JBXEA0G02MSNDS .....	P. 20	JBXEA0G08MPNDS .....	P. 132	JBXEA1G07FCNDS .....	P. 118
JBXEA0G02MSSDS .....	P. 20	JBXEA0G08MPSDS .....	P. 132	JBXEA1G07FCSDS .....	P. 118
JBXEA0G03FCNDS .....	P. 36	JBXEA0G08MSNDS .....	P. 132	JBXEA1G07FPNDS .....	P. 118
JBXEA0G03FCSDS .....	P. 36	JBXEA0G08MSSDS .....	P. 132	JBXEA1G07FPSDS .....	P. 118
JBXEA0G03FPNDS .....	P. 36	JBXEA1G02FCNDS .....	P. 26	JBXEA1G07FQNDS .....	P. 118
JBXEA0G03FPSDS .....	P. 36	JBXEA1G02FCSDS .....	P. 26	JBXEA1G07FQSDS .....	P. 118
JBXEA0G03FQNDS .....	P. 36	JBXEA1G02FPNDS .....	P. 26	JBXEA1G07FSNDS .....	P. 118
JBXEA0G03FQSDS .....	P. 36	JBXEA1G02FPSDS .....	P. 26	JBXEA1G07FSSDS .....	P. 118
JBXEA0G03FSNDS .....	P. 36	JBXEA1G02FSNDS .....	P. 26	JBXEA1G07MCNDS .....	P. 118
JBXEA0G03FSSDS .....	P. 36	JBXEA1G02FSSDS .....	P. 26	JBXEA1G07MCSDS .....	P. 118
JBXEA0G03MCNDS .....	P. 36	JBXEA1G02MCNDS .....	P. 26	JBXEA1G07MPNDS .....	P. 118
JBXEA0G03MCSDS .....	P. 36	JBXEA1G02MCSNDS .....	P. 26	JBXEA1G07MPSDS .....	P. 118
JBXEA0G03MSNDS .....	P. 36	JBXEA1G02MSSDS .....	P. 26	JBXEA1G07MSNDS .....	P. 118
JBXEA0G03MSSDS .....	P. 36	JBXEA1G02MSSDS .....	P. 26	JBXEA1G07MSSDS .....	P. 118
JBXEA0G04FCNDS .....	P. 60	JBXEA1G03FCNDS .....	P. 42	JBXEA1G08FCNDS .....	P. 138
JBXEA0G04FCSDS .....	P. 60	JBXEA1G03FCSDS .....	P. 42	JBXEA1G08FCSDS .....	P. 138
JBXEA0G04FPNDS .....	P. 60	JBXEA1G03FPNDS .....	P. 42	JBXEA1G08FPNDS .....	P. 138
JBXEA0G04FPSDS .....	P. 60	JBXEA1G03FPSDS .....	P. 42	JBXEA1G08FPSDS .....	P. 138
JBXEA0G04FQNDS .....	P. 60	JBXEA1G03FQNDS .....	P. 42	JBXEA1G08FQNDS .....	P. 138
JBXEA0G04FQSDS .....	P. 60	JBXEA1G03FQSDS .....	P. 42	JBXEA1G08FQSDS .....	P. 138
JBXEA0G04FSNDS .....	P. 60	JBXEA1G03FSNDS .....	P. 42	JBXEA1G08FSNDS .....	P. 138
JBXEA0G04FSSDS .....	P. 60	JBXEA1G03FSSDS .....	P. 42	JBXEA1G08FSSDS .....	P. 138
JBXEA0G04MCNDS .....	P. 60	JBXEA1G03MCNDS .....	P. 42	JBXEA1G08MCNDS .....	P. 138
JBXEA0G04MCSDS .....	P. 60	JBXEA1G03MCSDS .....	P. 42	JBXEA1G08MCSDS .....	P. 138
JBXEA0G04MPNDS .....	P. 60	JBXEA1G03MSNDS .....	P. 42	JBXEA1G08MPNDS .....	P. 138
JBXEA0G04MPSDS .....	P. 60	JBXEA1G03MSSDS .....	P. 42	JBXEA1G08MPSDS .....	P. 138
JBXEA0G04MSNDS .....	P. 60	JBXEA1G04FCNDS .....	P. 66	JBXEA1G08MSNDS .....	P. 138
JBXEA0G04MSSDS .....	P. 60	JBXEA1G04FCSDS .....	P. 66	JBXEA1G08MSSDS .....	P. 138
JBXEA0G05FCNDS .....	P. 80	JBXEA1G04FPNDS .....	P. 66	JBXEA1G10FCNDS .....	P. 164
JBXEA0G05FCSDS .....	P. 80	JBXEA1G04FPSDS .....	P. 66	JBXEA1G10FCSDS .....	P. 164
JBXEA0G05FPNDS .....	P. 80	JBXEA1G04FQNDS .....	P. 66	JBXEA1G10FCNDS .....	P. 164
JBXEA0G05FPSDS .....	P. 80	JBXEA1G04FQSDS .....	P. 66	JBXEA1G10FSNDS .....	P. 164
JBXEA0G05FQNDS .....	P. 80	JBXEA1G04FSNDS .....	P. 66	JBXEA1G10FSSDS .....	P. 164
JBXEA0G05FQSDS .....	P. 80	JBXEA1G04FSSDS .....	P. 66	JBXEA1G10MSNDS .....	P. 164
JBXEA0G05FSNDS .....	P. 80	JBXEA1G04MCSNDS .....	P. 66	JBXEA1G10MSSDS .....	P. 164
JBXEA0G05FSSDS .....	P. 80	JBXEA1G04MCSDS .....	P. 66	JBXEA1G12FCNDS .....	P. 184
JBXEA0G05MCNDS .....	P. 80	JBXEA1G04MCSNDS .....	P. 66	JBXEA1G12FCSDS .....	P. 184
JBXEA0G05MCSDS .....	P. 80	JBXEA1G04MSNDS .....	P. 66	JBXEA1G12FSNDS .....	P. 184
JBXEA0G05MPNDS .....	P. 80	JBXEA1G04MSSDS .....	P. 66	JBXEA1G12FSSDS .....	P. 184
JBXEA0G05MPSDS .....	P. 80	JBXEA1G05FCNDS .....	P. 86	JBXEA1G12MSNDS .....	P. 184
JBXEA0G05MSNDS .....	P. 80	JBXEA1G05FCSDS .....	P. 86	JBXEA1G12MSSDS .....	P. 184
JBXEA0G05MSSDS .....	P. 80	JBXEA1G05FPNDS .....	P. 86	JBXEA2G001FSNDS .....	P. 148
JBXEA0G06FPNDS .....	P. 96	JBXEA1G05FPSDS .....	P. 86	JBXEA2G001FSSDS .....	P. 148
JBXEA0G06FPSDS .....	P. 96	JBXEA1G05FQNDS .....	P. 86	JBXEA2G001MSNDS .....	P. 148
JBXEA0G06FSNDS .....	P. 96	JBXEA1G05FQSDS .....	P. 86	JBXEA2G001MSSDS .....	P. 148
JBXEA0G06FSSDS .....	P. 96	JBXEA1G05FSNDS .....	P. 86	JBXEA2G002FSNDS .....	P. 158
JBXEA0G06MPNDS .....	P. 96	JBXEA1G05FSSDS .....	P. 86	JBXEA2G002FSSDS .....	P. 158
JBXEA0G06MPSDS .....	P. 96	JBXEA1G05MCNDS .....	P. 86	JBXEA2G002MSNDS .....	P. 158
JBXEA0G06MSNDS .....	P. 96	JBXEA1G05MCSDS .....	P. 86	JBXEA2G002MSSDS .....	P. 158
JBXEA0G06MSSDS .....	P. 96	JBXEA1G05MSNDS .....	P. 86	JBXEA2G003FSNDS .....	P. 174
JBXEA0G07FPNDS .....	P. 112	JBXEA1G05MSSDS .....	P. 86	JBXEA2G003FSSDS .....	P. 174
JBXEA0G07FPSDS .....	P. 112	JBXEA1G06FCNDS .....	P. 102	JBXEA2G003MSNDS .....	P. 174
		JBXEA1G06FCSDS .....	P. 102	JBXEA2G003MSSDS .....	P. 174
		JBXEA1G06FPNDS .....	P. 102	JBXEA2G02FCNDS .....	P. 30
		JBXEA1G06FPSDS .....	P. 102	JBXEA2G02FCSDS .....	P. 30

Part Number Index (Continued)

JBXEA2G02FSNDS.....	P. 30	JBXEA2G08FPNDS.....	P. 142	JBXEA2G19FPNDS.....	P. 214
JBXEA2G02FSSDS.....	P. 30	JBXEA2G08FPSDS.....	P. 142	JBXEA2G19FPSDS.....	P. 214
JBXEA2G02MCNDS.....	P. 30	JBXEA2G08FQNDSDS.....	P. 142	JBXEA2G19FSNDS.....	P. 214
JBXEA2G02MCSNDS.....	P. 30	JBXEA2G08FQSSDS.....	P. 142	JBXEA2G19FSSDS.....	P. 214
JBXEA2G02MSNDS.....	P. 30	JBXEA2G08FSNDS.....	P. 142	JBXEA2G19MCNDS.....	P. 214
JBXEA2G02MSSDS.....	P. 30	JBXEA2G08FSSDS.....	P. 142	JBXEA2G19MCSNDS.....	P. 214
JBXEA2G03FCNDS.....	P. 46	JBXEA2G08MCNDS.....	P. 142	JBXEA2G19MPNDS.....	P. 214
JBXEA2G03FCSNDS.....	P. 46	JBXEA2G08MCSNDS.....	P. 142	JBXEA2G19MPSNDS.....	P. 214
JBXEA2G03FSSDS.....	P. 46	JBXEA2G08MSSNDS.....	P. 142	JBXEA2G19MSSDS.....	P. 214
JBXEA2G03MCNDS.....	P. 46	JBXEA2G10FCNDS.....	P. 168	JBXEA3G03FCNDS.....	P. 52
JBXEA2G03MCSNDS.....	P. 46	JBXEA2G10FCSNDS.....	P. 168	JBXEA3G03FCSNDS.....	P. 52
JBXEA2G03MSNDS.....	P. 46	JBXEA2G10FPNDS.....	P. 168	JBXEA3G03FSSDS.....	P. 52
JBXEA2G03MSSDS.....	P. 46	JBXEA2G10FPSNDS.....	P. 168	JBXEA3G03MCNDS.....	P. 52
JBXEA2G04FCNDS.....	P. 70	JBXEA2G10FQNDSDS.....	P. 168	JBXEA3G03MCSNDS.....	P. 52
JBXEA2G04FCSNDS.....	P. 70	JBXEA2G10FQSSDS.....	P. 168	JBXEA3G03MSNDS.....	P. 52
JBXEA2G04FSSDS.....	P. 70	JBXEA2G10FSNDS.....	P. 168	JBXEA3G03MSSDS.....	P. 52
JBXEA2G04MCNDS.....	P. 70	JBXEA2G10FSSDS.....	P. 168	JBXEA3G04FCNDS.....	P. 76
JBXEA2G04MCSNDS.....	P. 70	JBXEA2G10MCNDS.....	P. 168	JBXEA3G04FCSNDS.....	P. 76
JBXEA2G04MSSDS.....	P. 70	JBXEA2G10MCSNDS.....	P. 168	JBXEA3G04FSSDS.....	P. 76
JBXEA2G04MPNDS.....	P. 70	JBXEA2G10MSNDS.....	P. 168	JBXEA3G04MCNDS.....	P. 76
JBXEA2G04MPSNDS.....	P. 70	JBXEA2G10MSSNDS.....	P. 168	JBXEA3G04MCSNDS.....	P. 76
JBXEA2G04MSSDS.....	P. 70	JBXEA2G12FCNDS.....	P. 188	JBXEA3G04MSSDS.....	P. 76
JBXEA2G05FCNDS.....	P. 90	JBXEA2G12FCSNDS.....	P. 188	JBXEA3G07FCNDS.....	P. 128
JBXEA2G05FCSNDS.....	P. 90	JBXEA2G12FCSNDS.....	P. 188	JBXEA3G07FCSNDS.....	P. 128
JBXEA2G05FSSDS.....	P. 90	JBXEA2G12FPNDS.....	P. 188	JBXEA3G07FSNDS.....	P. 128
JBXEA2G05MCNDS.....	P. 90	JBXEA2G12FPSNDS.....	P. 188	JBXEA3G07FSSDS.....	P. 128
JBXEA2G05MCSNDS.....	P. 90	JBXEA2G12MCSNDS.....	P. 188	JBXEA3G07MCNDS.....	P. 128
JBXEA2G05MSSDS.....	P. 90	JBXEA2G12MCSNDS.....	P. 188	JBXEA3G07MCSNDS.....	P. 128
JBXEA2G06FCNDS.....	P. 106	JBXEA2G12MPNDS.....	P. 188	JBXEA3G07MSNDS.....	P. 128
JBXEA2G06FCSNDS.....	P. 106	JBXEA2G12MPSNDS.....	P. 188	JBXEA3G07MSSDS.....	P. 128
JBXEA2G06FSSDS.....	P. 106	JBXEA2G12MSNDS.....	P. 188	JBXEA3G08FCNDS.....	P. 154
JBXEA2G06MCNDS.....	P. 106	JBXEA2G12MSSDS.....	P. 188	JBXEA3G08FCSNDS.....	P. 154
JBXEA2G06MCSNDS.....	P. 106	JBXEA2G16FCNDS.....	P. 198	JBXEA3G08FSSDS.....	P. 154
JBXEA2G06MSSDS.....	P. 106	JBXEA2G16FCSNDS.....	P. 198	JBXEA3G08MCNDS.....	P. 154
JBXEA2G07FCNDS.....	P. 122	JBXEA2G16FCSNDS.....	P. 198	JBXEA3G08MCSNDS.....	P. 154
JBXEA2G07FCSNDS.....	P. 122	JBXEA2G16FPSNDS.....	P. 198	JBXEA3G08MSNDS.....	P. 154
JBXEA2G07FSSDS.....	P. 122	JBXEA2G16FQNDSDS.....	P. 198	JBXEA3G08MSSDS.....	P. 154
JBXEA2G07MCNDS.....	P. 122	JBXEA2G16FQSSDS.....	P. 198	JBXEA3G10FCNDS.....	P. 180
JBXEA2G07MCSNDS.....	P. 122	JBXEA2G16FSNDS.....	P. 198	JBXEA3G10FCSNDS.....	P. 180
JBXEA2G07MSSDS.....	P. 122	JBXEA2G16FSSDS.....	P. 198	JBXEA3G10FCSNDS.....	P. 180
JBXEA2G08FCNDS.....	P. 142	JBXEA2G16MCNDS.....	P. 198	JBXEA3G10FPNDS.....	P. 180
JBXEA2G08FCSNDS.....	P. 142	JBXEA2G16MCSNDS.....	P. 198	JBXEA3G10FPSNDS.....	P. 180
		JBXEA2G16MSSNDS.....	P. 198	JBXEA3G10FSSDS.....	P. 180
		JBXEA2G16MSSDS.....	P. 198	JBXEA3G10MCNDS.....	P. 180
		JBXEA2G18FCNDS.....	P. 204	JBXEA3G10MCSNDS.....	P. 180
		JBXEA2G18FCSNDS.....	P. 204	JBXEA3G10MSNDS.....	P. 180
		JBXEA2G18FSSDS.....	P. 204	JBXEA3G10MSSDS.....	P. 180
		JBXEA2G18MCNDS.....	P. 204	JBXEA3G14FCNDS.....	P. 194
		JBXEA2G18MCSNDS.....	P. 204	JBXEA3G14FCSNDS.....	P. 194
		JBXEA2G18MSSNDS.....	P. 204	JBXEA3G14FPSNDS.....	P. 194
		JBXEA2G18MSSDS.....	P. 204	JBXEA3G14FSSDS.....	P. 194
		JBXEA2G19FCNDS.....	P. 214	JBXEA3G14MCNDS.....	P. 194
		JBXEA2G19FCSNDS.....	P. 214	JBXEA3G14MCSNDS.....	P. 194
				JBXEA3G14MSNDS.....	P. 194
				JBXEA3G14MSSDS.....	P. 194
				JBXEA3G18FCNDS.....	P. 210
				JBXEA3G18FCSNDS.....	P. 210

JBXEA3G18FPNDS.....	P. 210	JBXEC2G04MPNDS.....	P. 72	JBXEC2G12FSNDS.....	P. 190
JBXEA3G18FPSDS.....	P. 210	JBXEC2G04MPSDS.....	P. 72	JBXEC2G12FSSDS.....	P. 190
JBXEA3G18FSNDS.....	P. 210	JBXEC2G04MSNDS.....	P. 72	JBXEC2G12MCNDS.....	P. 190
JBXEA3G18FSSDS.....	P. 210	JBXEC2G04MSSDS.....	P. 72	JBXEC2G12MCSDS.....	P. 190
JBXEA3G18MCNDS.....	P. 210	JBXEC2G05FCNDS.....	P. 92	JBXEC2G12MPNDS.....	P. 190
JBXEA3G18MCSDS.....	P. 210	JBXEC2G05FCSDS.....	P. 92	JBXEC2G12MPSDS.....	P. 190
JBXEA3G18MSNDS.....	P. 210	JBXEC2G05FPNDS.....	P. 92	JBXEC2G12MSNDS.....	P. 190
JBXEA3G18MSSDS.....	P. 210	JBXEC2G05FPSDS.....	P. 92	JBXEC2G12MSSDS.....	P. 190
JBXEA3G22FCNDS.....	P. 220	JBXEC2G05FSNDS.....	P. 92	JBXEC2G16FCNDS.....	P. 200
JBXEA3G22FCSDS.....	P. 220	JBXEC2G05FSSDS.....	P. 92	JBXEC2G16FCSDS.....	P. 200
JBXEA3G22FPNDS.....	P. 220	JBXEC2G05MCNDS.....	P. 92	JBXEC2G16FPNDS.....	P. 200
JBXEA3G22FPSDS.....	P. 220	JBXEC2G05MCSDS.....	P. 92	JBXEC2G16FPSDS.....	P. 200
JBXEA3G22FSNDS.....	P. 220	JBXEC2G05MPNDS.....	P. 92	JBXEC2G16FSNDS.....	P. 200
JBXEA3G22FSSDS.....	P. 220	JBXEC2G05MPSDS.....	P. 92	JBXEC2G16FSSDS.....	P. 200
JBXEA3G22MCNDS.....	P. 220	JBXEC2G05MSNDS.....	P. 92	JBXEC2G16MCNDS.....	P. 200
JBXEA3G22MCSDS.....	P. 220	JBXEC2G05MSSDS.....	P. 92	JBXEC2G16MCSDS.....	P. 200
JBXEA3G22MSNDS.....	P. 220	JBXEC2G06FCNDS.....	P. 108	JBXEC2G16MPNDS.....	P. 200
JBXEA3G22MSSDS.....	P. 220	JBXEC2G06FCSDS.....	P. 108	JBXEC2G16MPSDS.....	P. 200
JBXEA3G30FCNDS.....	P. 224	JBXEC2G06FPNDS.....	P. 108	JBXEC2G16MSNDS.....	P. 200
JBXEA3G30FCSDS.....	P. 224	JBXEC2G06FPSDS.....	P. 108	JBXEC2G16MSSDS.....	P. 200
JBXEA3G30FPNDS.....	P. 224	JBXEC2G06FSNDS.....	P. 108	JBXEC2G18FCNDS.....	P. 206
JBXEA3G30FPSDS.....	P. 224	JBXEC2G06FSSDS.....	P. 108	JBXEC2G18FCSDS.....	P. 206
JBXEA3G30FSNDS.....	P. 224	JBXEC2G06MCNDS.....	P. 108	JBXEC2G18FPNDS.....	P. 206
JBXEA3G30FSSDS.....	P. 224	JBXEC2G06MCSDS.....	P. 108	JBXEC2G18FPSDS.....	P. 206
JBXEA3G30MCNDS.....	P. 224	JBXEC2G06MPNDS.....	P. 108	JBXEC2G18FSNDS.....	P. 206
JBXEA3G30MCSDS.....	P. 224	JBXEC2G06MPSDS.....	P. 108	JBXEC2G18FSSDS.....	P. 206
JBXEA3G30MSNDS.....	P. 224	JBXEC2G06MSNDS.....	P. 108	JBXEC2G18MCNDS.....	P. 206
JBXEA3G30MSSDS.....	P. 224	JBXEC2G06MSSDS.....	P. 108	JBXEC2G18MCSDS.....	P. 206
JBXEC2G001FSNDS.....	P. 150	JBXEC2G07FCNDS.....	P. 124	JBXEC2G18MPNDS.....	P. 206
JBXEC2G001FSSDS.....	P. 150	JBXEC2G07FCSDS.....	P. 124	JBXEC2G18MPSDS.....	P. 206
JBXEC2G001MSNDS.....	P. 150	JBXEC2G07FPNDS.....	P. 124	JBXEC2G18MSNDS.....	P. 206
JBXEC2G001MSSDS.....	P. 150	JBXEC2G07FPSDS.....	P. 124	JBXEC2G18MSSDS.....	P. 206
JBXEC2G002FSNDS.....	P. 160	JBXEC2G07FSNDS.....	P. 124	JBXEC2G19FCNDS.....	P. 216
JBXEC2G002FSSDS.....	P. 160	JBXEC2G07FSSDS.....	P. 124	JBXEC2G19FCSDS.....	P. 216
JBXEC2G002MSNDS.....	P. 160	JBXEC2G07MCNDS.....	P. 124	JBXEC2G19FPNDS.....	P. 216
JBXEC2G002MSSDS.....	P. 160	JBXEC2G07MCSDS.....	P. 124	JBXEC2G19FPSDS.....	P. 216
JBXEC2G003FSNDS.....	P. 176	JBXEC2G07MPNDS.....	P. 124	JBXEC2G19FSNDS.....	P. 216
JBXEC2G003FSSDS.....	P. 176	JBXEC2G07MPSDS.....	P. 124	JBXEC2G19FSSDS.....	P. 216
JBXEC2G003MSNDS.....	P. 176	JBXEC2G07MSNDS.....	P. 124	JBXEC2G19MCNDS.....	P. 216
JBXEC2G003MSSDS.....	P. 176	JBXEC2G07MSSDS.....	P. 124	JBXEC2G19MCSDS.....	P. 216
JBXEC2G02FCNDS.....	P. 32	JBXEC2G08FCNDS.....	P. 144	JBXEC2G19MPNDS.....	P. 216
JBXEC2G02FCSDS.....	P. 32	JBXEC2G08FCSDS.....	P. 144	JBXEC2G19MPSDS.....	P. 216
JBXEC2G02FSNDS.....	P. 32	JBXEC2G08FPNDS.....	P. 144	JBXEC2G19MSNDS.....	P. 216
JBXEC2G02FSSDS.....	P. 32	JBXEC2G08FPSDS.....	P. 144	JBXEC2G19MSSDS.....	P. 216
JBXEC2G02MCNDS.....	P. 32	JBXEC2G08FSNDS.....	P. 144	JBXED0G02FCNDSR.....	P. 20
JBXEC2G02MCSDS.....	P. 32	JBXEC2G08FSSDS.....	P. 144	JBXED0G02FCSDSR.....	P. 20
JBXEC2G02MSNDS.....	P. 32	JBXEC2G08MCNDS.....	P. 144	JBXED0G02FQNDSR.....	P. 20
JBXEC2G02MSSDS.....	P. 32	JBXEC2G08MCSDS.....	P. 144	JBXED0G02FQSDSR.....	P. 20
JBXEC2G03FCNDS.....	P. 48	JBXEC2G08MSNDS.....	P. 144	JBXED0G02FSNDSR.....	P. 20
JBXEC2G03FCSDS.....	P. 48	JBXEC2G08MSSDS.....	P. 144	JBXED0G02FSSDSR.....	P. 20
JBXEC2G03FSNDS.....	P. 48	JBXEC2G10FCNDS.....	P. 170	JBXED0G02MCNDSR.....	P. 20
JBXEC2G03FSSDS.....	P. 48	JBXEC2G10FCSDS.....	P. 170	JBXED0G02MCSDSR.....	P. 20
JBXEC2G03MCNDS.....	P. 48	JBXEC2G10FPNDS.....	P. 170	JBXED0G02MSNDSR.....	P. 20
JBXEC2G03MCSDS.....	P. 48	JBXEC2G10FPSDS.....	P. 170	JBXED0G02MSSDSR.....	P. 20
JBXEC2G03MSNDS.....	P. 48	JBXEC2G10FSNDS.....	P. 170	JBXED0G03FCNDSR.....	P. 36
JBXEC2G03MSSDS.....	P. 48	JBXEC2G10FSSDS.....	P. 170	JBXED0G03FCSDSR.....	P. 36
JBXEC2G04FCNDS.....	P. 72	JBXEC2G10MCNDS.....	P. 170	JBXED0G03FQNDSR.....	P. 36
JBXEC2G04FCSDS.....	P. 72	JBXEC2G10MCSDS.....	P. 170	JBXED0G03FQSDSR.....	P. 36
JBXEC2G04FPNDS.....	P. 72	JBXEC2G10MSNDS.....	P. 170	JBXED0G03FSNDSR.....	P. 36
JBXEC2G04FPSDS.....	P. 72	JBXEC2G10MSSDS.....	P. 170	JBXED0G03FSSDSR.....	P. 36
JBXEC2G04FSNDS.....	P. 72	JBXEC2G12FCNDS.....	P. 190	JBXED0G03MCNDSR.....	P. 36
JBXEC2G04FSSDS.....	P. 72	JBXEC2G12FCSDS.....	P. 190	JBXED0G03MCSDSR.....	P. 36
JBXEC2G04MCNDS.....	P. 72	JBXEC2G12FPNDS.....	P. 190	JBXED0G03MSNDSR.....	P. 36
JBXEC2G04MCSDS.....	P. 72	JBXEC2G12FPSDS.....	P. 190	JBXED0G03MSSDSR.....	P. 36

Part Number Index (Continued)

JBXED0G04FCNDSR.....	P. 60	JBXEP0G04MCNDS.....	P. 60	JBXEP1G05MSNDS.....	P. 86
JBXED0G04FCSDSR.....	P. 60	JBXEP0G04MCSDS.....	P. 60	JBXEP1G05MSSDS.....	P. 86
JBXED0G04FQNDSR.....	P. 60	JBXEP0G04MPNDS.....	P. 60	JBXEP1G06FQNDS.....	P. 102
JBXED0G04FQSDSR.....	P. 60	JBXEP0G04MPSDS.....	P. 60	JBXEP1G06FQSDS.....	P. 102
JBXED0G04FSNDSR.....	P. 60	JBXEP0G04MSNDS.....	P. 60	JBXEP1G06FSNDS.....	P. 102
JBXED0G04FSSDSR.....	P. 60	JBXEP0G04MSSDS.....	P. 60	JBXEP1G06FSSDS.....	P. 102
JBXED0G04MCNDSR.....	P. 60	JBXEP0G05FCNDS.....	P. 80	JBXEP1G06MSNDS.....	P. 102
JBXED0G04MCSDSR.....	P. 60	JBXEP0G05FCSDS.....	P. 80	JBXEP1G06MSSDS.....	P. 102
JBXED0G04MSNDSR.....	P. 60	JBXEP0G05FPNDS.....	P. 80	JBXEP1G07FQNDS.....	P. 118
JBXED0G04MSSDSR.....	P. 60	JBXEP0G05FPSDS.....	P. 80	JBXEP1G07FQSDS.....	P. 118
JBXED0G05FCNDSR.....	P. 80	JBXEP0G05FQNDS.....	P. 80	JBXEP1G07FSNDS.....	P. 118
JBXED0G05FCSDSR.....	P. 80	JBXEP0G05FQSDS.....	P. 80	JBXEP1G07FSSDS.....	P. 118
JBXED0G05FQNDSR.....	P. 80	JBXEP0G05FSNDS.....	P. 80	JBXEP1G07MSNDS.....	P. 118
JBXED0G05FQSDSR.....	P. 80	JBXEP0G05FSSDS.....	P. 80	JBXEP1G07MSSDS.....	P. 118
JBXED0G05FSNDSR.....	P. 80	JBXEP0G05MCNDS.....	P. 80	JBXEP1G08FQNDS.....	P. 138
JBXED0G05FSSDSR.....	P. 80	JBXEP0G05MCSDS.....	P. 80	JBXEP1G08FQSDS.....	P. 138
JBXED0G05MCNDSR.....	P. 80	JBXEP0G05MPNDS.....	P. 80	JBXEP1G08FSNDS.....	P. 138
JBXED0G05MCSDSR.....	P. 80	JBXEP0G05MPSDS.....	P. 80	JBXEP1G08FSSDS.....	P. 138
JBXED0G05MSNDSR.....	P. 80	JBXEP0G05MSNDS.....	P. 80	JBXEP1G08MSNDS.....	P. 138
JBXED0G05MSSDSR.....	P. 80	JBXEP0G05MSSDS.....	P. 80	JBXEP1G08MSSDS.....	P. 138
JBXED0G06FSNDSR.....	P. 96	JBXEP0G06FPNDS.....	P. 96	JBXEP1G10FSNDS.....	P. 164
JBXED0G06FSSDSR.....	P. 96	JBXEP0G06FPSDS.....	P. 96	JBXEP1G10FSSDS.....	P. 164
JBXED0G06MSNDSR.....	P. 96	JBXEP0G06FSNDS.....	P. 96	JBXEP1G10MSNDS.....	P. 164
JBXED0G06MSSDSR.....	P. 96	JBXEP0G06FSSDS.....	P. 96	JBXEP1G10MSSDS.....	P. 164
JBXED0G07FSNDSR.....	P. 112	JBXEP0G06MPNDS.....	P. 96	JBXEP1G12FSNDS.....	P. 184
JBXED0G07FSSDSR.....	P. 112	JBXEP0G06MPSDS.....	P. 96	JBXEP1G12FSSDS.....	P. 184
JBXED0G07MSNDSR.....	P. 112	JBXEP0G06MSNDS.....	P. 96	JBXEP1G12MSNDS.....	P. 184
JBXED0G07MSSDSR.....	P. 112	JBXEP0G06MSSDS.....	P. 96	JBXEP1G12MSSDS.....	P. 184
JBXED0G08FSNDSR.....	P. 132	JBXEP0G07FPNDS.....	P. 112	JBXEP2G001FSNDS.....	P. 148
JBXED0G08FSSDSR.....	P. 132	JBXEP0G07FPSDS.....	P. 112	JBXEP2G001FSSDS.....	P. 148
JBXED0G08MSNDSR.....	P. 132	JBXEP0G07FSNDS.....	P. 112	JBXEP2G001MSNDS.....	P. 148
JBXED0G08MSSDSR.....	P. 132	JBXEP0G07FSSDS.....	P. 112	JBXEP2G001MSSDS.....	P. 148
JBXEP0G02FCNDS.....	P. 20	JBXEP0G07MPNDS.....	P. 112	JBXEP2G002FSNDS.....	P. 158
JBXEP0G02FCSDS.....	P. 20	JBXEP0G07MPSDS.....	P. 112	JBXEP2G002FSSDS.....	P. 158
JBXEP0G02FPNDS.....	P. 20	JBXEP0G07MSNDS.....	P. 112	JBXEP2G002MSNDS.....	P. 158
JBXEP0G02FPSDS.....	P. 20	JBXEP0G07MSSDS.....	P. 112	JBXEP2G002MSSDS.....	P. 158
JBXEP0G02FQNDS.....	P. 20	JBXEP0G08FPNDS.....	P. 132	JBXEP2G003FSNDS.....	P. 174
JBXEP0G02FQSDS.....	P. 20	JBXEP0G08FPSDS.....	P. 132	JBXEP2G003FSSDS.....	P. 174
JBXEP0G02FSNDS.....	P. 20	JBXEP0G08FSNDS.....	P. 132	JBXEP2G003MSNDS.....	P. 174
JBXEP0G02FSSDS.....	P. 20	JBXEP0G08FSSDS.....	P. 132	JBXEP2G003MSSDS.....	P. 174
JBXEP0G02MCNDS.....	P. 20	JBXEP0G08MPNDS.....	P. 132	JBXEP2G02FCNDS.....	P. 30
JBXEP0G02MCSDS.....	P. 20	JBXEP0G08MPSDS.....	P. 132	JBXEP2G02FCSDS.....	P. 30
JBXEP0G02MSNDS.....	P. 20	JBXEP0G08MSNDS.....	P. 132	JBXEP2G02FQNDS.....	P. 30
JBXEP0G02MSSDS.....	P. 20	JBXEP0G08MSSDS.....	P. 132	JBXEP2G02FSSDS.....	P. 30
JBXEP0G03FCNDS.....	P. 36	JBXEP1G02FSNDS.....	P. 26	JBXEP2G02MCNDS.....	P. 30
JBXEP0G03FCSDS.....	P. 36	JBXEP1G02FSSDS.....	P. 26	JBXEP2G02MCSDS.....	P. 30
JBXEP0G03FPNDS.....	P. 36	JBXEP1G02MSNDS.....	P. 26	JBXEP2G02MSNDS.....	P. 30
JBXEP0G03FPSDS.....	P. 36	JBXEP1G02MSSDS.....	P. 26	JBXEP2G02MSSDS.....	P. 30
JBXEP0G03FQNDS.....	P. 36	JBXEP1G03FQNDS.....	P. 42	JBXEP2G03FCNDS.....	P. 46
JBXEP0G03FQSDS.....	P. 36	JBXEP1G03FQSDS.....	P. 42	JBXEP2G03FCSDS.....	P. 46
JBXEP0G03FSNDS.....	P. 36	JBXEP1G03FSNDS.....	P. 42	JBXEP2G03FSNDS.....	P. 46
JBXEP0G03FSSDS.....	P. 36	JBXEP1G03FSSDS.....	P. 42	JBXEP2G03FSSDS.....	P. 46
JBXEP0G03MCNDS.....	P. 36	JBXEP1G03MSNDS.....	P. 42	JBXEP2G03MCNDS.....	P. 46
JBXEP0G03MCSDS.....	P. 36	JBXEP1G03MSSDS.....	P. 42	JBXEP2G03MCSDS.....	P. 46
JBXEP0G03MSNDS.....	P. 36	JBXEP1G04FQNDS.....	P. 66	JBXEP2G03MSNDS.....	P. 46
JBXEP0G03MSSDS.....	P. 36	JBXEP1G04FQSDS.....	P. 66	JBXEP2G03MSSDS.....	P. 46
JBXEP0G04FCNDS.....	P. 60	JBXEP1G04FSNDS.....	P. 66	JBXEP2G04FCNDS.....	P. 70
JBXEP0G04FCSDS.....	P. 60	JBXEP1G04FSSDS.....	P. 66	JBXEP2G04FCSDS.....	P. 70
JBXEP0G04FPNDS.....	P. 60	JBXEP1G04MSNDS.....	P. 66	JBXEP2G04FPNDS.....	P. 70
JBXEP0G04FPSDS.....	P. 60	JBXEP1G04MSSDS.....	P. 66	JBXEP2G04FPSDS.....	P. 70
JBXEP0G04FQNDS.....	P. 60	JBXEP1G05FQNDS.....	P. 86	JBXEP2G04FSNDS.....	P. 70
JBXEP0G04FQSDS.....	P. 60	JBXEP1G05FQSDS.....	P. 86	JBXEP2G04FSSDS.....	P. 70
JBXEP0G04FSNDS.....	P. 60	JBXEP1G05FSNDS.....	P. 86	JBXEP2G04MCNDS.....	P. 70
JBXEP0G04FSSDS.....	P. 60	JBXEP1G05FSSDS.....	P. 86	JBXEP2G04MCSDS.....	P. 70



JBXEP2G04MPNDS.....	P. 70	JBXEP2G12FCNDS.....	P. 188	JBXER0G02MCNDSR.....	P. 20
JBXEP2G04MPSDS.....	P. 70	JBXEP2G12FCSDS.....	P. 188	JBXER0G02MCSDSR.....	P. 20
JBXEP2G04MSNDS.....	P. 70	JBXEP2G12FPNDS.....	P. 188	JBXER0G02MSNDSR.....	P. 20
JBXEP2G04MSSDS.....	P. 70	JBXEP2G12FPSDS.....	P. 188	JBXER0G02MSSDSR.....	P. 20
JBXEP2G05FCNDS.....	P. 90	JBXEP2G12FQNDSDS.....	P. 188	JBXER0G03FCNDSR.....	P. 36
JBXEP2G05FCSDS.....	P. 90	JBXEP2G12FQSDS.....	P. 188	JBXER0G03FCSDSR.....	P. 36
JBXEP2G05FPNDS.....	P. 90	JBXEP2G12FSNDS.....	P. 188	JBXER0G03FSNDSR.....	P. 36
JBXEP2G05FPSDS.....	P. 90	JBXEP2G12FSSDS.....	P. 188	JBXER0G03FSSDSR.....	P. 36
JBXEP2G05FSNDS.....	P. 90	JBXEP2G12MCNDS.....	P. 188	JBXER0G03MCNDSR.....	P. 36
JBXEP2G05FSSDS.....	P. 90	JBXEP2G12MCSDS.....	P. 188	JBXER0G03MCSDSR.....	P. 36
JBXEP2G05MCNDS.....	P. 90	JBXEP2G12MPNDS.....	P. 188	JBXER0G03MSNDSR.....	P. 36
JBXEP2G05MCSNDS.....	P. 90	JBXEP2G12MPSDS.....	P. 188	JBXER0G03MSSDSR.....	P. 36
JBXEP2G05MPNDS.....	P. 90	JBXEP2G12MSNDS.....	P. 188	JBXER0G04FCNDSR.....	P. 60
JBXEP2G05MPSDS.....	P. 90	JBXEP2G12MSSDS.....	P. 188	JBXER0G04FCSDSR.....	P. 60
JBXEP2G05MSNDS.....	P. 90	JBXEP2G16FCNDS.....	P. 198	JBXER0G04FSNDSR.....	P. 60
JBXEP2G05MSSDS.....	P. 90	JBXEP2G16FCSDS.....	P. 198	JBXER0G04FSSDSR.....	P. 60
JBXEP2G06FCNDS.....	P. 106	JBXEP2G16FPNDS.....	P. 198	JBXER0G04MCNDSR.....	P. 60
JBXEP2G06FCSDS.....	P. 106	JBXEP2G16FPSDS.....	P. 198	JBXER0G04MCSNDSR.....	P. 60
JBXEP2G06FPNDS.....	P. 106	JBXEP2G16FQNDSDS.....	P. 198	JBXER0G04MSNDSR.....	P. 60
JBXEP2G06FPSDS.....	P. 106	JBXEP2G16FQSDS.....	P. 198	JBXER0G04MSSDSR.....	P. 60
JBXEP2G06FSNDS.....	P. 106	JBXEP2G16FSNDS.....	P. 198	JBXER0G05FCNDSR.....	P. 80
JBXEP2G06FSSDS.....	P. 106	JBXEP2G16FSSDS.....	P. 198	JBXER0G05FCSDSR.....	P. 80
JBXEP2G06MCNDS.....	P. 106	JBXEP2G16MCNDS.....	P. 198	JBXER0G05FSNDSR.....	P. 80
JBXEP2G06MCSNDS.....	P. 106	JBXEP2G16MCSNDS.....	P. 198	JBXER0G05FSSDSR.....	P. 80
JBXEP2G06MPNDS.....	P. 106	JBXEP2G16MPSDS.....	P. 198	JBXER0G05MCNDSR.....	P. 80
JBXEP2G06MPSDS.....	P. 106	JBXEP2G16MPSNDS.....	P. 198	JBXER0G05MCSNDSR.....	P. 80
JBXEP2G06MSNDS.....	P. 106	JBXEP2G16MSNDS.....	P. 198	JBXER0G05MSNDSR.....	P. 80
JBXEP2G06MSSDS.....	P. 106	JBXEP2G16MSSDS.....	P. 198	JBXER0G05MSSDSR.....	P. 80
JBXEP2G07FCNDS.....	P. 122	JBXEP2G18FCNDS.....	P. 204	JBXER0G06FSNDSR.....	P. 96
JBXEP2G07FCSDS.....	P. 122	JBXEP2G18FCSDS.....	P. 204	JBXER0G06FSSDSR.....	P. 96
JBXEP2G07FPNDS.....	P. 122	JBXEP2G18FPNDS.....	P. 204	JBXER0G06MSNDSR.....	P. 96
JBXEP2G07FPSDS.....	P. 122	JBXEP2G18FPSDS.....	P. 204	JBXER0G06MSSDSR.....	P. 96
JBXEP2G07FSNDS.....	P. 122	JBXEP2G18FSNDS.....	P. 204	JBXER0G07FSNDSR.....	P. 112
JBXEP2G07FSSDS.....	P. 122	JBXEP2G18FSSDS.....	P. 204	JBXER0G07FSSDSR.....	P. 112
JBXEP2G07MCNDS.....	P. 122	JBXEP2G18MCNDS.....	P. 204	JBXER0G07MSNDSR.....	P. 112
JBXEP2G07MCSNDS.....	P. 122	JBXEP2G18MCSNDS.....	P. 204	JBXER0G07MSSDSR.....	P. 112
JBXEP2G07MPNDS.....	P. 122	JBXEP2G18MPSDS.....	P. 204	JBXER0G08FSNDSR.....	P. 132
JBXEP2G07MPSDS.....	P. 122	JBXEP2G18MPSNDS.....	P. 204	JBXER0G08FSSDSR.....	P. 132
JBXEP2G07MSNDS.....	P. 122	JBXEP2G18MSNDS.....	P. 204	JBXER0G08MSNDSR.....	P. 132
JBXEP2G07MSSDS.....	P. 122	JBXEP2G18MSSDS.....	P. 204	JBXER0G08MSSDSR.....	P. 132
JBXEP2G08FCNDS.....	P. 142	JBXEP2G19FCNDS.....	P. 214	JBXER1G02FCNDSR.....	P. 26
JBXEP2G08FCSDS.....	P. 142	JBXEP2G19FCSDS.....	P. 214	JBXER1G02FCSDSR.....	P. 26
JBXEP2G08FPNDS.....	P. 142	JBXEP2G19FPNDS.....	P. 214	JBXER1G02FPNDSR.....	P. 26
JBXEP2G08FPSDS.....	P. 142	JBXEP2G19FPSDS.....	P. 214	JBXER1G02FPSDSR.....	P. 26
JBXEP2G08FQNDSDS.....	P. 142	JBXEP2G19FSNDS.....	P. 214	JBXER1G02FSNDSR.....	P. 26
JBXEP2G08FQSDS.....	P. 142	JBXEP2G19FSSDS.....	P. 214	JBXER1G02FSSDSR.....	P. 26
JBXEP2G08FSNDS.....	P. 142	JBXEP2G19MCNDS.....	P. 214	JBXER1G02MCNDSR.....	P. 26
JBXEP2G08FSSDS.....	P. 142	JBXEP2G19MCSNDS.....	P. 214	JBXER1G02MCSDSR.....	P. 26
JBXEP2G08MCNDS.....	P. 142	JBXEP2G19MPNDS.....	P. 214	JBXER1G02MSNDSR.....	P. 26
JBXEP2G08MCSNDS.....	P. 142	JBXEP2G19MPSDS.....	P. 214	JBXER1G02MSSDSR.....	P. 26
JBXEP2G08MSNDS.....	P. 142	JBXEP2G19MSNDS.....	P. 214	JBXER1G03FCNDSR.....	P. 42
JBXEP2G08MSSDS.....	P. 142	JBXEP2G19MSSDS.....	P. 214	JBXER1G03FCSDSR.....	P. 42
JBXEP2G10FCNDS.....	P. 168	JBXER0G02FSNDSR.....	P. 16	JBXER1G03FPNDSR.....	P. 42
JBXEP2G10FCSDS.....	P. 168	JBXER0G02FSSDSR.....	P. 16	JBXER1G03FPSDSR.....	P. 42
JBXEP2G10FPNDS.....	P. 168	JBXER0G02MSNDSR.....	P. 16	JBXER1G03FSNDSR.....	P. 42
JBXEP2G10FPSDS.....	P. 168	JBXER0G02MSSDSR.....	P. 16	JBXER1G03FSSDSR.....	P. 42
JBXEP2G10FQNDSDS.....	P. 168	JBXER0G04FSNDSR.....	P. 56	JBXER1G03MCNDSR.....	P. 42
JBXEP2G10FQSDS.....	P. 168	JBXER0G04FSSDSR.....	P. 56	JBXER1G03MCSNDSR.....	P. 42
JBXEP2G10FSNDS.....	P. 168	JBXER0G04MSNDSR.....	P. 56	JBXER1G03MSNDSR.....	P. 42
JBXEP2G10FSSDS.....	P. 168	JBXER0G04MSSDSR.....	P. 56	JBXER1G03MSSDSR.....	P. 42
JBXEP2G10MCNDS.....	P. 168	JBXER0G02FCNDSR.....	P. 20	JBXER1G04FCNDSR.....	P. 66
JBXEP2G10MCSNDS.....	P. 168	JBXER0G02FCSDSR.....	P. 20	JBXER1G04FCSDSR.....	P. 66
JBXEP2G10MSNDS.....	P. 168	JBXER0G02FSNDSR.....	P. 20	JBXER1G04FPNDSR.....	P. 66
JBXEP2G10MSSDS.....	P. 168	JBXER0G02FSSDSR.....	P. 20	JBXER1G04FPSDSR.....	P. 66

Part Number Index (Continued)

JBXER1G04FSNDSR.....	P. 66	JBXER2G001FSNDSR.....	P. 148	JBXER2G07FCNDSR.....	P. 122
JBXER1G04FSSDSR.....	P. 66	JBXER2G001FSSDSR.....	P. 148	JBXER2G07FCSDSR.....	P. 122
JBXER1G04MCNDSR.....	P. 66	JBXER2G001MSNDSR.....	P. 148	JBXER2G07FPNDSR.....	P. 122
JBXER1G04MCSDSR.....	P. 66	JBXER2G001MSSDSR.....	P. 148	JBXER2G07FPSDSR.....	P. 122
JBXER1G04MSNDSR.....	P. 66	JBXER2G002FSNDSR.....	P. 158	JBXER2G07FSNDSR.....	P. 122
JBXER1G04MSSDSR.....	P. 66	JBXER2G002FSSDSR.....	P. 158	JBXER2G07FSSDSR.....	P. 122
JBXER1G05FCNDSR.....	P. 86	JBXER2G002MSNDSR.....	P. 158	JBXER2G07MCNDSR.....	P. 122
JBXER1G05FCSDSR.....	P. 86	JBXER2G002MSSDSR.....	P. 158	JBXER2G07MCSDSR.....	P. 122
JBXER1G05FPNDSR.....	P. 86	JBXER2G003FSNDSR.....	P. 174	JBXER2G07MPNDSR.....	P. 122
JBXER1G05FPSDSR.....	P. 86	JBXER2G003FSSDSR.....	P. 174	JBXER2G07MPSDSR.....	P. 122
JBXER1G05FSNDSR.....	P. 86	JBXER2G003MSNDSR.....	P. 174	JBXER2G07MSNDSR.....	P. 122
JBXER1G05FSSDSR.....	P. 86	JBXER2G003MSSDSR.....	P. 174	JBXER2G07MSSDSR.....	P. 122
JBXER1G05MCNDSR.....	P. 86	JBXER2G003FCNDSR.....	P. 30	JBXER2G08FCNDSR.....	P. 142
JBXER1G05MCSDSR.....	P. 86	JBXER2G003FCSDSR.....	P. 30	JBXER2G08FCSDSR.....	P. 142
JBXER1G05MSNDSR.....	P. 86	JBXER2G002FSNDSR.....	P. 30	JBXER2G08FPNDSR.....	P. 142
JBXER1G05MSSDSR.....	P. 86	JBXER2G002FSSDSR.....	P. 30	JBXER2G08FPSDSR.....	P. 142
JBXER1G06FCNDSR.....	P. 102	JBXER2G02MCNDSR.....	P. 30	JBXER2G08FSNDSR.....	P. 142
JBXER1G06FCSDSR.....	P. 102	JBXER2G02MCSDSR.....	P. 30	JBXER2G08FSSDSR.....	P. 142
JBXER1G06FPNDSR.....	P. 102	JBXER2G02MSNDSR.....	P. 30	JBXER2G08MCNDSR.....	P. 142
JBXER1G06FPSDSR.....	P. 102	JBXER2G02MSSDSR.....	P. 30	JBXER2G08MCSDSR.....	P. 142
JBXER1G06FSNDSR.....	P. 102	JBXER2G03FCNDSR.....	P. 46	JBXER2G08MSNDSR.....	P. 142
JBXER1G06FSSDSR.....	P. 102	JBXER2G03FCSDSR.....	P. 46	JBXER2G08MSSDSR.....	P. 142
JBXER1G06MCNDSR.....	P. 102	JBXER2G03FSNDSR.....	P. 46	JBXER2G10FCNDSR.....	P. 168
JBXER1G06MCSDSR.....	P. 102	JBXER2G03FSSDSR.....	P. 46	JBXER2G10FCSDSR.....	P. 168
JBXER1G06MPNDSR.....	P. 102	JBXER2G03MCNDSR.....	P. 46	JBXER2G10FPNDSR.....	P. 168
JBXER1G06MPSDSR.....	P. 102	JBXER2G03MCSDSR.....	P. 46	JBXER2G10FPSDSR.....	P. 168
JBXER1G06MSNDSR.....	P. 102	JBXER2G03MSNDSR.....	P. 46	JBXER2G10FSNDSR.....	P. 168
JBXER1G06MSSDSR.....	P. 102	JBXER2G03MSSDSR.....	P. 46	JBXER2G10FSSDSR.....	P. 168
JBXER1G07FCNDSR.....	P. 118	JBXER2G04FCNDSR.....	P. 70	JBXER2G10MCNDSR.....	P. 168
JBXER1G07FCSDSR.....	P. 118	JBXER2G04FCSDSR.....	P. 70	JBXER2G10MCSDSR.....	P. 168
JBXER1G07FPNDSR.....	P. 118	JBXER2G04FPNDSR.....	P. 70	JBXER2G10MSNDSR.....	P. 168
JBXER1G07FPSDSR.....	P. 118	JBXER2G04FPSDSR.....	P. 70	JBXER2G10MSSDSR.....	P. 168
JBXER1G07FSNDSR.....	P. 118	JBXER2G04FSNDSR.....	P. 70	JBXER2G12FCNDSR.....	P. 188
JBXER1G07FSSDSR.....	P. 118	JBXER2G04FSSDSR.....	P. 70	JBXER2G12FCSDSR.....	P. 188
JBXER1G07MCNDSR.....	P. 118	JBXER2G04MCNDSR.....	P. 70	JBXER2G12FPNDSR.....	P. 188
JBXER1G07MCSDSR.....	P. 118	JBXER2G04MCSDSR.....	P. 70	JBXER2G12FPSDSR.....	P. 188
JBXER1G07MPNDSR.....	P. 118	JBXER2G04MPNDSR.....	P. 70	JBXER2G12FSNDSR.....	P. 188
JBXER1G07MPSDSR.....	P. 118	JBXER2G04MPSDSR.....	P. 70	JBXER2G12FSSDSR.....	P. 188
JBXER1G07MSNDSR.....	P. 118	JBXER2G04MSNDSR.....	P. 70	JBXER2G12MCNDSR.....	P. 188
JBXER1G07MSSDSR.....	P. 118	JBXER2G04MSSDSR.....	P. 70	JBXER2G12MCSDSR.....	P. 188
JBXER1G08FCNDSR.....	P. 138	JBXER2G05FCNDSR.....	P. 90	JBXER2G12MPNDSR.....	P. 188
JBXER1G08FCSDSR.....	P. 138	JBXER2G05FCSDSR.....	P. 90	JBXER2G12MPSDSR.....	P. 188
JBXER1G08FPNDSR.....	P. 138	JBXER2G05FPNDSR.....	P. 90	JBXER2G12MSNDSR.....	P. 188
JBXER1G08FPSDSR.....	P. 138	JBXER2G05FPSDSR.....	P. 90	JBXER2G12MSSDSR.....	P. 188
JBXER1G08FSNDSR.....	P. 138	JBXER2G05FSNDSR.....	P. 90	JBXER2G16FCNDSR.....	P. 198
JBXER1G08FSSDSR.....	P. 138	JBXER2G05FSSDSR.....	P. 90	JBXER2G16FCSDSR.....	P. 198
JBXER1G08MCNDSR.....	P. 138	JBXER2G05MCNDSR.....	P. 90	JBXER2G16FPNDSR.....	P. 198
JBXER1G08MCSDSR.....	P. 138	JBXER2G05MCSDSR.....	P. 90	JBXER2G16FPSDSR.....	P. 198
JBXER1G08MPNDSR.....	P. 138	JBXER2G05MPNDSR.....	P. 90	JBXER2G16FSNDSR.....	P. 198
JBXER1G08MPSDSR.....	P. 138	JBXER2G05MPSDSR.....	P. 90	JBXER2G16FSSDSR.....	P. 198
JBXER1G08MSNDSR.....	P. 138	JBXER2G05MSNDSR.....	P. 90	JBXER2G16MCNDSR.....	P. 198
JBXER1G08MSSDSR.....	P. 138	JBXER2G05MSSDSR.....	P. 90	JBXER2G16MCSDSR.....	P. 198
JBXER1G10FPNDSR.....	P. 164	JBXER2G06FCNDSR.....	P. 106	JBXER2G16MPNDSR.....	P. 198
JBXER1G10FPSDSR.....	P. 164	JBXER2G06FCSDSR.....	P. 106	JBXER2G16MPSDSR.....	P. 198
JBXER1G10FSNDSR.....	P. 164	JBXER2G06FPNDSR.....	P. 106	JBXER2G16MSNDSR.....	P. 198
JBXER1G10FSSDSR.....	P. 164	JBXER2G06FPSDSR.....	P. 106	JBXER2G16MSSDSR.....	P. 198
JBXER1G10MSNDSR.....	P. 164	JBXER2G06FSNDSR.....	P. 106	JBXER2G18FCNDSR.....	P. 204
JBXER1G10MSSDSR.....	P. 164	JBXER2G06FSSDSR.....	P. 106	JBXER2G18FCSDSR.....	P. 204
JBXER1G12FPNDSR.....	P. 184	JBXER2G06MCNDSR.....	P. 106	JBXER2G18FPNDSR.....	P. 204
JBXER1G12FPSDSR.....	P. 184	JBXER2G06MCSDSR.....	P. 106	JBXER2G18FPSDSR.....	P. 204
JBXER1G12FSNDSR.....	P. 184	JBXER2G06MPNDSR.....	P. 106	JBXER2G18FSNDSR.....	P. 204
JBXER1G12FSSDSR.....	P. 184	JBXER2G06MPSDSR.....	P. 106	JBXER2G18FSSDSR.....	P. 204
JBXER1G12MSNDSR.....	P. 184	JBXER2G06MSNDSR.....	P. 106	JBXER2G18MCNDSR.....	P. 204
JBXER1G12MSSDSR.....	P. 184	JBXER2G06MSSDSR.....	P. 106	JBXER2G18MCSDSR.....	P. 204

JBXER2G18MPNDSR.....	P. 204	JBXER3G18FCNDSR.....	P. 210	JBXEZ1G08FPNDSR.....	P. 138
JBXER2G18MPSDSR.....	P. 204	JBXER3G18FCSDSR.....	P. 210	JBXEZ1G08FPSDSR.....	P. 138
JBXER2G18MSNDSR.....	P. 204	JBXER3G18FSNDSR.....	P. 210	JBXEZ1G08MPNDSR.....	P. 138
JBXER2G18MSSDSR.....	P. 204	JBXER3G18FSSDSR.....	P. 210	JBXEZ1G08MPSDSR.....	P. 138
JBXER2G19FCNDSR.....	P. 214	JBXER3G18MCNDSR.....	P. 210	JBXEZ1G10FPNDSR.....	P. 164
JBXER2G19FCSDSR.....	P. 214	JBXER3G18MCSDSR.....	P. 210	JBXEZ1G10FPSDSR.....	P. 164
JBXER2G19FPNDSR.....	P. 214	JBXER3G18MSNDSR.....	P. 210	JBXEZ1G12FPNDSR.....	P. 184
JBXER2G19FPSDSR.....	P. 214	JBXER3G18MSSDSR.....	P. 210	JBXEZ1G12FPSDSR.....	P. 184
JBXER2G19FSNDSR.....	P. 214	JBXER3G22FCNDSR.....	P. 220	JBXFC0G02FCNDSMR.....	P. 20
JBXER2G19FSSDSR.....	P. 214	JBXER3G22FCSDSR.....	P. 220	JBXFC0G02FCNDSR.....	P. 20
JBXER2G19MCNDSR.....	P. 214	JBXER3G22FSNDSR.....	P. 220	JBXFC0G02FCSDSMR.....	P. 20
JBXER2G19MCSDSR.....	P. 214	JBXER3G22FSSDSR.....	P. 220	JBXFC0G02FCSDSR.....	P. 20
JBXER2G19MPNDSR.....	P. 214	JBXER3G22MCNDSR.....	P. 220	JBXFC0G02FCSNDSMR.....	P. 20
JBXER2G19MPSDSR.....	P. 214	JBXER3G22MCSDSR.....	P. 220	JBXFC0G02FNSDSR.....	P. 20
JBXER2G19MSNDSR.....	P. 214	JBXER3G22MSNDSR.....	P. 220	JBXFC0G02FSSDSMR.....	P. 20
JBXER2G19MSSDSR.....	P. 214	JBXER3G22MSSDSR.....	P. 220	JBXFC0G02FSSDSR.....	P. 20
JBXER3G03FCNDSR.....	P. 52	JBXER3G30FCNDSR.....	P. 224	JBXFC0G02MCNDSMR.....	P. 20
JBXER3G03FCSDSR.....	P. 52	JBXER3G30FCSDSR.....	P. 224	JBXFC0G02MCNDSR.....	P. 20
JBXER3G03FSNDSR.....	P. 52	JBXER3G30FSNDSR.....	P. 224	JBXFC0G02MCSDSMR.....	P. 20
JBXER3G03FSSDSR.....	P. 52	JBXER3G30FSSDSR.....	P. 224	JBXFC0G02MCSDSR.....	P. 20
JBXER3G03MCNDSR.....	P. 52	JBXER3G30MCNDSR.....	P. 224	JBXFC0G02MSNDSMR.....	P. 20
JBXER3G03MCSDSR.....	P. 52	JBXER3G30MCSDSR.....	P. 224	JBXFC0G02MSNDSR.....	P. 20
JBXER3G03MSNDSR.....	P. 52	JBXER3G30MSNDSR.....	P. 224	JBXFC0G02MSSDSMR.....	P. 20
JBXER3G03MSSDSR.....	P. 52	JBXER3G30MSSDSR.....	P. 224	JBXFC0G02MSSDSR.....	P. 20
JBXER3G04FCNDSR.....	P. 76	JBXEZ0G02FPNDSR.....	P. 20	JBXFC0G03FCNDSMR.....	P. 36
JBXER3G04FCSDSR.....	P. 76	JBXEZ0G02FPSDSR.....	P. 20	JBXFC0G03FCNDSR.....	P. 36
JBXER3G04FSNDSR.....	P. 76	JBXEZ0G03FPNDSR.....	P. 36	JBXFC0G03FCSDSMR.....	P. 36
JBXER3G04FSSDSR.....	P. 76	JBXEZ0G03FPSDSR.....	P. 36	JBXFC0G03FCSDSR.....	P. 36
JBXER3G04MCNDSR.....	P. 76	JBXEZ0G04FPNDSR.....	P. 60	JBXFC0G03FNSDSMR.....	P. 36
JBXER3G04MCSDSR.....	P. 76	JBXEZ0G04FPSDSR.....	P. 60	JBXFC0G03FNSDSR.....	P. 36
JBXER3G04MSNDSR.....	P. 76	JBXEZ0G04MPNDSR.....	P. 60	JBXFC0G03FSSDSMR.....	P. 36
JBXER3G04MSSDSR.....	P. 76	JBXEZ0G04MPSDSR.....	P. 60	JBXFC0G03FSSDSR.....	P. 36
JBXER3G07FCNDSR.....	P. 128	JBXEZ0G05FPNDSR.....	P. 80	JBXFC0G03MCNDSMR.....	P. 36
JBXER3G07FCSDSR.....	P. 128	JBXEZ0G05FPSDSR.....	P. 80	JBXFC0G03MCNDSR.....	P. 36
JBXER3G07FSNDSR.....	P. 128	JBXEZ0G05MPNDSR.....	P. 80	JBXFC0G03MCSDSMR.....	P. 36
JBXER3G07FSSDSR.....	P. 128	JBXEZ0G05MPSDSR.....	P. 80	JBXFC0G03MCSDSR.....	P. 36
JBXER3G07MCNDSR.....	P. 128	JBXEZ0G06FPNDSR.....	P. 96	JBXFC0G03MCSNDSMR.....	P. 36
JBXER3G07MCSDSR.....	P. 128	JBXEZ0G06FPSDSR.....	P. 96	JBXFC0G03MNSDSR.....	P. 36
JBXER3G07MSNDSR.....	P. 128	JBXEZ0G06MPNDSR.....	P. 96	JBXFC0G03MSSDSMR.....	P. 36
JBXER3G07MSSDSR.....	P. 128	JBXEZ0G06MPSDSR.....	P. 96	JBXFC0G03MSSDSR.....	P. 36
JBXER3G08FCNDSR.....	P. 154	JBXEZ0G07FPNDSR.....	P. 112	JBXFC0G04FCNDSMR.....	P. 60
JBXER3G08FCSDSR.....	P. 154	JBXEZ0G07FPSDSR.....	P. 112	JBXFC0G04FNSDSR.....	P. 60
JBXER3G08FSNDSR.....	P. 154	JBXEZ0G07MPNDSR.....	P. 112	JBXFC0G04FNSDSMR.....	P. 60
JBXER3G08FSSDSR.....	P. 154	JBXEZ0G07MPSDSR.....	P. 112	JBXFC0G04FCSDSR.....	P. 60
JBXER3G08MCNDSR.....	P. 154	JBXEZ0G08FPNDSR.....	P. 132	JBXFC0G04FCSDSMR.....	P. 60
JBXER3G08MCSDSR.....	P. 154	JBXEZ0G08FPSDSR.....	P. 132	JBXFC0G04FSNDSR.....	P. 60
JBXER3G08MSNDSR.....	P. 154	JBXEZ0G08MPNDSR.....	P. 132	JBXFC0G04FSNDSMR.....	P. 60
JBXER3G08MSSDSR.....	P. 154	JBXEZ0G08MPSDSR.....	P. 132	JBXFC0G04FSSDSMR.....	P. 60
JBXER3G10FCNDSR.....	P. 180	JBXEZ1G02FPNDSR.....	P. 26	JBXFC0G04FSSDSR.....	P. 60
JBXER3G10FCSDSR.....	P. 180	JBXEZ1G02FPSDSR.....	P. 26	JBXFC0G04MCSNDSMR.....	P. 60
JBXER3G10FSNDSR.....	P. 180	JBXEZ1G03FPNDSR.....	P. 42	JBXFC0G04MCSNDSR.....	P. 60
JBXER3G10FSSDSR.....	P. 180	JBXEZ1G03FPSDSR.....	P. 42	JBXFC0G04MCSDSR.....	P. 60
JBXER3G10MCNDSR.....	P. 180	JBXEZ1G04FPNDSR.....	P. 66	JBXFC0G04MSNDSMR.....	P. 60
JBXER3G10MCSDSR.....	P. 180	JBXEZ1G04FPSDSR.....	P. 66	JBXFC0G04MSNDSR.....	P. 60
JBXER3G10MSNDSR.....	P. 180	JBXEZ1G05FPNDSR.....	P. 86	JBXFC0G04MSSDSMR.....	P. 60
JBXER3G10MSSDSR.....	P. 180	JBXEZ1G05FPSDSR.....	P. 86	JBXFC0G04MSSDSR.....	P. 60
JBXER3G14FCNDSR.....	P. 194	JBXEZ1G06FPNDSR.....	P. 102	JBXFC0G05FCNDSMR.....	P. 80
JBXER3G14FCSDSR.....	P. 194	JBXEZ1G06FPSDSR.....	P. 102	JBXFC0G05FCNDSR.....	P. 80
JBXER3G14FSNDSR.....	P. 194	JBXEZ1G06MPNDSR.....	P. 102	JBXFC0G05FCSDSMR.....	P. 80
JBXER3G14FSSDSR.....	P. 194	JBXEZ1G06MPSDSR.....	P. 102	JBXFC0G05FCSDSR.....	P. 80
JBXER3G14MCNDSR.....	P. 194	JBXEZ1G07FPNDSR.....	P. 118	JBXFC0G05FNSDSMR.....	P. 80
JBXER3G14MCSDSR.....	P. 194	JBXEZ1G07FPSDSR.....	P. 118	JBXFC0G05FNSDSR.....	P. 80
JBXER3G14MSNDSR.....	P. 194	JBXEZ1G07MPNDSR.....	P. 118	JBXFC0G05FSSDSMR.....	P. 80
JBXER3G14MSSDSR.....	P. 194	JBXEZ1G07MPSDSR.....	P. 118	JBXFC0G05FSSDSR.....	P. 80

Part Number Index (Continued)

JBXFC0G05MCNDSMR.....	P. 80	JBXFC1G06FCNDSMR.....	P. 102	JBXFC2G07FCNDSMR.....	P. 122
JBXFC0G05MCNDSR.....	P. 80	JBXFC1G06FCNDSR.....	P. 102	JBXFC2G07FCNDSR.....	P. 122
JBXFC0G05MCSDSMR.....	P. 80	JBXFC1G06FCSDSMR.....	P. 102	JBXFC2G07FCSDSMR.....	P. 122
JBXFC0G05MCSDSR.....	P. 80	JBXFC1G06FCSDSR.....	P. 102	JBXFC2G07FCSDSR.....	P. 122
JBXFC0G05MSNDSMR.....	P. 80	JBXFC1G06MCNDSMR.....	P. 102	JBXFC2G07MCNDSMR.....	P. 122
JBXFC0G05MSNDSR.....	P. 80	JBXFC1G06MCNDSR.....	P. 102	JBXFC2G07MCNDSR.....	P. 122
JBXFC0G05MSSDSMR.....	P. 80	JBXFC1G06MCSDSMR.....	P. 102	JBXFC2G07MCSDSMR.....	P. 122
JBXFC0G05MSSDSR.....	P. 80	JBXFC1G06MCSDSR.....	P. 102	JBXFC2G07MCSDSR.....	P. 122
JBXFC0G06FSNDSMR.....	P. 96	JBXFC1G07FCNDSMR.....	P. 118	JBXFC2G08FCNDSMR.....	P. 142
JBXFC0G06FSNDSR.....	P. 96	JBXFC1G07FCNDSR.....	P. 118	JBXFC2G08FCNDSR.....	P. 142
JBXFC0G06FSSDSMR.....	P. 96	JBXFC1G07FCSDSMR.....	P. 118	JBXFC2G08FCSDSMR.....	P. 142
JBXFC0G06FSSDSR.....	P. 96	JBXFC1G07FCSDSR.....	P. 118	JBXFC2G08FCSDSR.....	P. 142
JBXFC0G06MSNDSMR.....	P. 96	JBXFC1G07MCNDSMR.....	P. 118	JBXFC2G08MCNDSMR.....	P. 142
JBXFC0G06MSNDSR.....	P. 96	JBXFC1G07MCNDSR.....	P. 118	JBXFC2G08MCNDSR.....	P. 142
JBXFC0G06MSSDSMR.....	P. 96	JBXFC1G07MCSDSMR.....	P. 118	JBXFC2G08MCSDSMR.....	P. 142
JBXFC0G06MSSDSR.....	P. 96	JBXFC1G07MCSDSR.....	P. 118	JBXFC2G08MCSDSR.....	P. 142
JBXFC0G07FSNDSMR.....	P. 112	JBXFC1G08FCNDSMR.....	P. 138	JBXFC2G10FCNDSMR.....	P. 168
JBXFC0G07FSNDSR.....	P. 112	JBXFC1G08FCNDSR.....	P. 138	JBXFC2G10FCNDSR.....	P. 168
JBXFC0G07FSSDSMR.....	P. 112	JBXFC1G08FCSDSMR.....	P. 138	JBXFC2G10FCSDSMR.....	P. 168
JBXFC0G07FSSDSR.....	P. 112	JBXFC1G08FCSDSR.....	P. 138	JBXFC2G10FCSDSR.....	P. 168
JBXFC0G07MSNDSMR.....	P. 112	JBXFC1G08MCNDSMR.....	P. 138	JBXFC2G10MCNDSMR.....	P. 168
JBXFC0G07MSNDSR.....	P. 112	JBXFC1G08MCNDSR.....	P. 138	JBXFC2G10MCNDSR.....	P. 168
JBXFC0G07MSSDSMR.....	P. 112	JBXFC1G08MCSDSMR.....	P. 138	JBXFC2G10MCSDSMR.....	P. 168
JBXFC0G07MSSDSR.....	P. 112	JBXFC1G08MCSDSR.....	P. 138	JBXFC2G10MCSDSR.....	P. 168
JBXFC0G08FSNDSMR.....	P. 132	JBXFC2G02FCNDSMR.....	P. 30	JBXFC2G12FCNDSMR.....	P. 188
JBXFC0G08FSNDSR.....	P. 132	JBXFC2G02FCNDSR.....	P. 30	JBXFC2G12FCNDSR.....	P. 188
JBXFC0G08FSSDSMR.....	P. 132	JBXFC2G02FCSDSMR.....	P. 30	JBXFC2G12FCSDSMR.....	P. 188
JBXFC0G08FSSDSR.....	P. 132	JBXFC2G02FCSDSR.....	P. 30	JBXFC2G12FCSDSR.....	P. 188
JBXFC0G08MSNDSMR.....	P. 132	JBXFC2G02MCNDSMR.....	P. 30	JBXFC2G12MCNDSMR.....	P. 188
JBXFC0G08MSNDSR.....	P. 132	JBXFC2G02MCNDSR.....	P. 30	JBXFC2G12MCNDSR.....	P. 188
JBXFC0G08MSSDSMR.....	P. 132	JBXFC2G02MCSDSMR.....	P. 30	JBXFC2G12MCSDSMR.....	P. 188
JBXFC0G08MSSDSR.....	P. 132	JBXFC2G02MCSDSR.....	P. 30	JBXFC2G12MCSDSR.....	P. 188
JBXFC1G02FCNDSMR.....	P. 26	JBXFC2G03FCNDSMR.....	P. 46	JBXFC2G16FCNDSMR.....	P. 198
JBXFC1G02FCNDSR.....	P. 26	JBXFC2G03FCNDSR.....	P. 46	JBXFC2G16FCNDSR.....	P. 198
JBXFC1G02FCSDSMR.....	P. 26	JBXFC2G03FCSDSMR.....	P. 46	JBXFC2G16FCSDSMR.....	P. 198
JBXFC1G02FCSDSR.....	P. 26	JBXFC2G03FCSDSR.....	P. 46	JBXFC2G16FCSDSR.....	P. 198
JBXFC1G02MCNDSMR.....	P. 26	JBXFC2G03MCNDSMR.....	P. 46	JBXFC2G16MCNDSMR.....	P. 198
JBXFC1G02MCNDSR.....	P. 26	JBXFC2G03MCNDSR.....	P. 46	JBXFC2G16MCNDSR.....	P. 198
JBXFC1G02MCSDSMR.....	P. 26	JBXFC2G03MCSDSMR.....	P. 46	JBXFC2G16MCSDSMR.....	P. 198
JBXFC1G02MCSDSR.....	P. 26	JBXFC2G03MCSDSR.....	P. 46	JBXFC2G16MCSDSR.....	P. 198
JBXFC1G03FCNDSMR.....	P. 42	JBXFC2G04FCNDSMR.....	P. 70	JBXFC2G18FCNDSMR.....	P. 204
JBXFC1G03FCNDSR.....	P. 42	JBXFC2G04FCNDSR.....	P. 70	JBXFC2G18FCNDSR.....	P. 204
JBXFC1G03FCSDSMR.....	P. 42	JBXFC2G04FCSDSMR.....	P. 70	JBXFC2G18FCSDSMR.....	P. 204
JBXFC1G03FCSDSR.....	P. 42	JBXFC2G04FCSDSR.....	P. 70	JBXFC2G18FCSDSR.....	P. 204
JBXFC1G03MCNDSMR.....	P. 42	JBXFC2G04MCNDSMR.....	P. 70	JBXFC2G18MCNDSMR.....	P. 204
JBXFC1G03MCNDSR.....	P. 42	JBXFC2G04MCNDSR.....	P. 70	JBXFC2G18MCNDSR.....	P. 204
JBXFC1G03MCSDSMR.....	P. 42	JBXFC2G04MCSDSMR.....	P. 70	JBXFC2G18MCSDSMR.....	P. 204
JBXFC1G03MCSDSR.....	P. 42	JBXFC2G04MCSDSR.....	P. 70	JBXFC2G18MCSDSR.....	P. 204
JBXFC1G04FCNDSMR.....	P. 66	JBXFC2G05FCNDSMR.....	P. 90	JBXFC2G19FCNDSMR.....	P. 214
JBXFC1G04FCNDSR.....	P. 66	JBXFC2G05FCNDSR.....	P. 90	JBXFC2G19FCNDSR.....	P. 214
JBXFC1G04FCSDSMR.....	P. 66	JBXFC2G05FCSDSMR.....	P. 90	JBXFC2G19FCSDSMR.....	P. 214
JBXFC1G04FCSDSR.....	P. 66	JBXFC2G05FCSDSR.....	P. 90	JBXFC2G19FCSDSR.....	P. 214
JBXFC1G04MCNDSMR.....	P. 66	JBXFC2G05MCNDSMR.....	P. 90	JBXFC2G19MCNDSMR.....	P. 214
JBXFC1G04MCNDSR.....	P. 66	JBXFC2G05MCNDSR.....	P. 90	JBXFC2G19MCNDSR.....	P. 214
JBXFC1G04MCSDSMR.....	P. 66	JBXFC2G05MCSDSMR.....	P. 90	JBXFC2G19MCSDSMR.....	P. 214
JBXFC1G04MCSDSR.....	P. 66	JBXFC2G05MCSDSR.....	P. 90	JBXFC2G19MCSDSR.....	P. 214
JBXFC1G05FCNDSMR.....	P. 86	JBXFC2G06FCNDSMR.....	P. 106	JBXFC3G03FCNDSMR.....	P. 52
JBXFC1G05FCNDSR.....	P. 86	JBXFC2G06FCNDSR.....	P. 106	JBXFC3G03FCNDSR.....	P. 52
JBXFC1G05FCSDSMR.....	P. 86	JBXFC2G06FCSDSMR.....	P. 106	JBXFC3G03FCSDSMR.....	P. 52
JBXFC1G05FCSDSR.....	P. 86	JBXFC2G06FCSDSR.....	P. 106	JBXFC3G03FCSDSR.....	P. 52
JBXFC1G05MCNDSMR.....	P. 86	JBXFC2G06MCNDSMR.....	P. 106	JBXFC3G03MCNDSMR.....	P. 52
JBXFC1G05MCNDSR.....	P. 86	JBXFC2G06MCNDSR.....	P. 106	JBXFC3G03MCNDSR.....	P. 52
JBXFC1G05MCSDSMR.....	P. 86	JBXFC2G06MCSDSMR.....	P. 106	JBXFC3G03MCSDSMR.....	P. 52
JBXFC1G05MCSDSR.....	P. 86	JBXFC2G06MCSDSR.....	P. 106	JBXFC3G03MCSDSR.....	P. 52

JBXFC3G04FCNDSMR.....	P. 76	JBXFD0G02FSNDSMR.....	P. 16	JBXFD0G05FCNDSMR.....	P. 80
JBXFC3G04FCNDSR.....	P. 76	JBXFD0G02FSNDSR.....	P. 16	JBXFD0G05FCNDSR.....	P. 80
JBXFC3G04FCSDSMR.....	P. 76	JBXFD0G02FSSDSMR.....	P. 16	JBXFD0G05FCSDSMR.....	P. 80
JBXFC3G04FCSDSR.....	P. 76	JBXFD0G02FSSDSR.....	P. 16	JBXFD0G05FCSDSR.....	P. 80
JBXFC3G04MCNDSMR.....	P. 76	JBXFD0G02MSNDSMR.....	P. 16	JBXFD0G05FSNDSMR.....	P. 80
JBXFC3G04MCNDSR.....	P. 76	JBXFD0G02MSNDSR.....	P. 16	JBXFD0G05FSNDSR.....	P. 80
JBXFC3G04MCSDSMR.....	P. 76	JBXFD0G02MSSDSMR.....	P. 16	JBXFD0G05FSSDSMR.....	P. 80
JBXFC3G04MCSDSR.....	P. 76	JBXFD0G02MSSDSR.....	P. 16	JBXFD0G05FSSDSR.....	P. 80
JBXFC3G07FCNDSMR.....	P. 128	JBXFD0G04FSNDSMR.....	P. 56	JBXFD0G05MCNDSMR.....	P. 80
JBXFC3G07FCNDSR.....	P. 128	JBXFD0G04FSNDSR.....	P. 56	JBXFD0G05MCNDSR.....	P. 80
JBXFC3G07FCSDSMR.....	P. 128	JBXFD0G04FSSDSMR.....	P. 56	JBXFD0G05MCSDSMR.....	P. 80
JBXFC3G07FCSDSR.....	P. 128	JBXFD0G04FSSDSR.....	P. 56	JBXFD0G05MCSDSR.....	P. 80
JBXFC3G07MCNDSMR.....	P. 128	JBXFD0G04MSNDSMR.....	P. 56	JBXFD0G05MSNDSMR.....	P. 80
JBXFC3G07MCNDSR.....	P. 128	JBXFD0G04MSNDSR.....	P. 56	JBXFD0G05MSNDSR.....	P. 80
JBXFC3G07MCSDSMR.....	P. 128	JBXFD0G04MSSDSMR.....	P. 56	JBXFD0G05MSSDSMR.....	P. 80
JBXFC3G07MCSDSR.....	P. 128	JBXFD0G04MSSDSR.....	P. 56	JBXFD0G05MSSDSR.....	P. 80
JBXFC3G08FCNDSMR.....	P. 154	JBXFD0G02FCNDSMR.....	P. 20	JBXFD0G06FSNDSMR.....	P. 96
JBXFC3G08FCNDSR.....	P. 154	JBXFD0G02FCNDSR.....	P. 20	JBXFD0G06FSNDSR.....	P. 96
JBXFC3G08FCSDSMR.....	P. 154	JBXFD0G02FCSDSMR.....	P. 20	JBXFD0G06FSSDSMR.....	P. 96
JBXFC3G08FCSDSR.....	P. 154	JBXFD0G02FCSDSR.....	P. 20	JBXFD0G06FSSDSR.....	P. 96
JBXFC3G08MCNDSMR.....	P. 154	JBXFD0G02FSNDSMR.....	P. 20	JBXFD0G06MSNDSMR.....	P. 96
JBXFC3G08MCNDSR.....	P. 154	JBXFD0G02FSNDSR.....	P. 20	JBXFD0G06MSNDSR.....	P. 96
JBXFC3G08MCSDSMR.....	P. 154	JBXFD0G02FSSDSMR.....	P. 20	JBXFD0G06MSSDSMR.....	P. 96
JBXFC3G08MCSDSR.....	P. 154	JBXFD0G02FSSDSR.....	P. 20	JBXFD0G06MSSDSR.....	P. 96
JBXFC3G08MCSDSMR.....	P. 180	JBXFD0G02MCSNDSMR.....	P. 20	JBXFD0G07FSNDSMR.....	P. 112
JBXFC3G08MCSDSR.....	P. 180	JBXFD0G02MCSNDSR.....	P. 20	JBXFD0G07FSNDSR.....	P. 112
JBXFC3G10FCNDSMR.....	P. 180	JBXFD0G02MCSDSMR.....	P. 20	JBXFD0G07FSSDSMR.....	P. 112
JBXFC3G10FCNDSR.....	P. 180	JBXFD0G02MCSDSR.....	P. 20	JBXFD0G07FSSDSR.....	P. 112
JBXFC3G10FCSDSMR.....	P. 180	JBXFD0G02MSNDSMR.....	P. 20	JBXFD0G07MSNDSMR.....	P. 112
JBXFC3G10FCSDSR.....	P. 180	JBXFD0G02MSNDSR.....	P. 20	JBXFD0G07MSNDSR.....	P. 112
JBXFC3G10MCNDSMR.....	P. 180	JBXFD0G02MSNDSR.....	P. 20	JBXFD0G07MSSDSMR.....	P. 112
JBXFC3G10MCNDSR.....	P. 180	JBXFD0G02MSSDSMR.....	P. 20	JBXFD0G07MSSDSR.....	P. 112
JBXFC3G10MCSDSMR.....	P. 180	JBXFD0G02MSSDSR.....	P. 20	JBXFD0G07MSSDSR.....	P. 112
JBXFC3G10MCSDSR.....	P. 180	JBXFD0G03FCNDSMR.....	P. 36	JBXFD0G08FSNDSMR.....	P. 132
JBXFC3G14FCNDSMR.....	P. 194	JBXFD0G03FCNDSR.....	P. 36	JBXFD0G08FSNDSR.....	P. 132
JBXFC3G14FCNDSR.....	P. 194	JBXFD0G03FCSDSMR.....	P. 36	JBXFD0G08FSSDSMR.....	P. 132
JBXFC3G14FCSDSMR.....	P. 194	JBXFD0G03FCSDSR.....	P. 36	JBXFD0G08FSSDSR.....	P. 132
JBXFC3G14FCSDSR.....	P. 194	JBXFD0G03FCSDSMR.....	P. 36	JBXFD0G08MSSDSMR.....	P. 132
JBXFC3G14MCNDSMR.....	P. 194	JBXFD0G03FCSDSR.....	P. 36	JBXFD0G08MSSDSR.....	P. 132
JBXFC3G14MCNDSR.....	P. 194	JBXFD0G03FSNDSMR.....	P. 36	JBXFD0G08MSSDSR.....	P. 132
JBXFC3G14MCSDSMR.....	P. 194	JBXFD0G03FSNDSR.....	P. 36	JBXFD1G02FCNDSMR.....	P. 26
JBXFC3G14MCSDSR.....	P. 194	JBXFD0G03FSSDSMR.....	P. 36	JBXFD1G02FCNDSR.....	P. 26
JBXFC3G18FCNDSMR.....	P. 210	JBXFD0G03FSSDSR.....	P. 36	JBXFD1G02FCSDSMR.....	P. 26
JBXFC3G18FCNDSR.....	P. 210	JBXFD0G03MCSNDSMR.....	P. 36	JBXFD1G02FCSDSR.....	P. 26
JBXFC3G18FCSDSMR.....	P. 210	JBXFD0G03MCSDSR.....	P. 36	JBXFD1G02FCSDSMR.....	P. 26
JBXFC3G18FCSDSR.....	P. 210	JBXFD0G03MCSDSR.....	P. 36	JBXFD1G02FCSDSR.....	P. 26
JBXFC3G22FCNDSMR.....	P. 220	JBXFD0G03MSNDSMR.....	P. 36	JBXFD1G02FSNDSMR.....	P. 26
JBXFC3G22FCNDSR.....	P. 220	JBXFD0G03MSNDSR.....	P. 36	JBXFD1G02FSNDSR.....	P. 26
JBXFC3G22FCSDSMR.....	P. 220	JBXFD0G03MSSDSMR.....	P. 36	JBXFD1G02FSSDSMR.....	P. 26
JBXFC3G22FCSDSR.....	P. 220	JBXFD0G03MSSDSR.....	P. 36	JBXFD1G02FSSDSR.....	P. 26
JBXFC3G22MCNDSMR.....	P. 220	JBXFD0G04FCNDSMR.....	P. 60	JBXFD1G02MCSNDSMR.....	P. 26
JBXFC3G22MCNDSR.....	P. 220	JBXFD0G04FCNDSR.....	P. 60	JBXFD1G02MCSNDSR.....	P. 26
JBXFC3G22MCSDSMR.....	P. 220	JBXFD0G04FCSDSMR.....	P. 60	JBXFD1G02MCSDSMR.....	P. 26
JBXFC3G22MCSDSR.....	P. 220	JBXFD0G04FCSDSR.....	P. 60	JBXFD1G02MCSDSR.....	P. 26
JBXFC3G30FCNDSMR.....	P. 224	JBXFD0G04FCSDSMR.....	P. 60	JBXFD1G02MSNDSMR.....	P. 26
JBXFC3G30FCNDSR.....	P. 224	JBXFD0G04FCSDSR.....	P. 60	JBXFD1G02MSNDSR.....	P. 26
JBXFC3G30FCSDSMR.....	P. 224	JBXFD0G04FSNDSMR.....	P. 60	JBXFD1G02MSSDSMR.....	P. 26
JBXFC3G30FCSDSR.....	P. 224	JBXFD0G04FSNDSR.....	P. 60	JBXFD1G02MSSDSR.....	P. 26
JBXFC3G30MCNDSMR.....	P. 224	JBXFD0G04FSSDSMR.....	P. 60	JBXFD1G03FCNDSMR.....	P. 42
JBXFC3G30MCNDSR.....	P. 224	JBXFD0G04FSSDSR.....	P. 60	JBXFD1G03FCNDSR.....	P. 42
JBXFC3G30MCSDSMR.....	P. 224	JBXFD0G04MCNDSMR.....	P. 60	JBXFD1G03FCSDSMR.....	P. 42
JBXFC3G30MCSDSR.....	P. 224	JBXFD0G04MCNDSR.....	P. 60	JBXFD1G03FCSDSR.....	P. 42
JBXFC3G30MCSDSMR.....	P. 224	JBXFD0G04MSSDSMR.....	P. 60	JBXFD1G03FSNDSMR.....	P. 42
JBXFC3G30MCSDSR.....	P. 224	JBXFD0G04MSSDSR.....	P. 60	JBXFD1G03FSNDSR.....	P. 42
JBXFC3G30MCSDSMR.....	P. 224	JBXFD0G04MSSDSMR.....	P. 60	JBXFD1G03FSSDSMR.....	P. 42
JBXFC3G30MCSDSR.....	P. 224	JBXFD0G04MSSDSMR.....	P. 60	JBXFD1G03FSSDSR.....	P. 42



Part Number Index (Continued)

JBXFD1G03MCNDSMR . . . . .	P. 42	JBXFD1G07MCNDSMR . . . . .	P. 118	JBXFD2G02FCNDSMR . . . . .	P. 30
JBXFD1G03MCNDSR . . . . .	P. 42	JBXFD1G07MCNDSR . . . . .	P. 118	JBXFD2G02FCNDSR . . . . .	P. 30
JBXFD1G03MCSDSMR . . . . .	P. 42	JBXFD1G07MCSDSMR . . . . .	P. 118	JBXFD2G02FCSDSMR . . . . .	P. 30
JBXFD1G03MCSDSR . . . . .	P. 42	JBXFD1G07MCSDSR . . . . .	P. 118	JBXFD2G02FCSDSR . . . . .	P. 30
JBXFD1G03MSNDSMR . . . . .	P. 42	JBXFD1G07MSNDSMR . . . . .	P. 118	JBXFD2G02FSNDSMR . . . . .	P. 30
JBXFD1G03MSNDSR . . . . .	P. 42	JBXFD1G07MSNDSR . . . . .	P. 118	JBXFD2G02FSNDSR . . . . .	P. 30
JBXFD1G03MSSDSMR . . . . .	P. 42	JBXFD1G07MSSDSMR . . . . .	P. 118	JBXFD2G02FSSDSMR . . . . .	P. 30
JBXFD1G03MSSDSR . . . . .	P. 42	JBXFD1G07MSSDSR . . . . .	P. 118	JBXFD2G02FSSDSR . . . . .	P. 30
JBXFD1G04FCNDSMR . . . . .	P. 66	JBXFD1G08FCNDSMR . . . . .	P. 138	JBXFD2G02MCNDSMR . . . . .	P. 30
JBXFD1G04FCNDSR . . . . .	P. 66	JBXFD1G08FCNDSR . . . . .	P. 138	JBXFD2G02MCNDSR . . . . .	P. 30
JBXFD1G04FCSDSMR . . . . .	P. 66	JBXFD1G08FCSDSMR . . . . .	P. 138	JBXFD2G02MCSDSMR . . . . .	P. 30
JBXFD1G04FCSDSR . . . . .	P. 66	JBXFD1G08FCSDSR . . . . .	P. 138	JBXFD2G02MCSDSR . . . . .	P. 30
JBXFD1G04FSDSMR . . . . .	P. 66	JBXFD1G08FSDSMR . . . . .	P. 138	JBXFD2G02MSNDSMR . . . . .	P. 30
JBXFD1G04FSDSR . . . . .	P. 66	JBXFD1G08FSDSR . . . . .	P. 138	JBXFD2G02MSNDSR . . . . .	P. 30
JBXFD1G04FSSDSMR . . . . .	P. 66	JBXFD1G08FSSDSMR . . . . .	P. 138	JBXFD2G02MSSDSMR . . . . .	P. 30
JBXFD1G04FSSDSR . . . . .	P. 66	JBXFD1G08FSSDSR . . . . .	P. 138	JBXFD2G02MSSDSR . . . . .	P. 30
JBXFD1G04MCNDSMR . . . . .	P. 66	JBXFD1G08MCNDSMR . . . . .	P. 138	JBXFD2G03FCNDSMR . . . . .	P. 46
JBXFD1G04MCNDSR . . . . .	P. 66	JBXFD1G08MCNDSR . . . . .	P. 138	JBXFD2G03FCNDSR . . . . .	P. 46
JBXFD1G04MCSDSMR . . . . .	P. 66	JBXFD1G08MCSDSMR . . . . .	P. 138	JBXFD2G03FCSDSMR . . . . .	P. 46
JBXFD1G04MCSDSR . . . . .	P. 66	JBXFD1G08MCSDSR . . . . .	P. 138	JBXFD2G03FCSDSR . . . . .	P. 46
JBXFD1G04MSNDSMR . . . . .	P. 66	JBXFD1G08MSNDSMR . . . . .	P. 138	JBXFD2G03FSNDSMR . . . . .	P. 46
JBXFD1G04MSNDSR . . . . .	P. 66	JBXFD1G08MSNDSR . . . . .	P. 138	JBXFD2G03FSNDSR . . . . .	P. 46
JBXFD1G04MSSDSMR . . . . .	P. 66	JBXFD1G08MSSDSMR . . . . .	P. 138	JBXFD2G03FSSDSMR . . . . .	P. 46
JBXFD1G04MSSDSR . . . . .	P. 66	JBXFD1G08MSSDSR . . . . .	P. 138	JBXFD2G03FSSDSR . . . . .	P. 46
JBXFD1G04MSSDSMR . . . . .	P. 66	JBXFD1G08MSSDSMR . . . . .	P. 138	JBXFD2G03MSSDSMR . . . . .	P. 46
JBXFD1G04MSSDSR . . . . .	P. 66	JBXFD1G08MSSDSR . . . . .	P. 138	JBXFD2G03MSSDSR . . . . .	P. 46
JBXFD1G05FCNDSMR . . . . .	P. 86	JBXFD1G10FCNDSMR . . . . .	P. 164	JBXFD2G03MCNDSMR . . . . .	P. 46
JBXFD1G05FCNDSR . . . . .	P. 86	JBXFD1G10FCNDSR . . . . .	P. 164	JBXFD2G03MCNDSR . . . . .	P. 46
JBXFD1G05FCSDSMR . . . . .	P. 86	JBXFD1G10FCSDSMR . . . . .	P. 164	JBXFD2G03MCSDSMR . . . . .	P. 46
JBXFD1G05FCSDSR . . . . .	P. 86	JBXFD1G10FCSDSR . . . . .	P. 164	JBXFD2G03MCSDSR . . . . .	P. 46
JBXFD1G05FSDSMR . . . . .	P. 86	JBXFD1G10FSDSMR . . . . .	P. 164	JBXFD2G03MSNDSMR . . . . .	P. 46
JBXFD1G05FSDSR . . . . .	P. 86	JBXFD1G10FSDSR . . . . .	P. 164	JBXFD2G03MSNDSR . . . . .	P. 46
JBXFD1G05FSSDSMR . . . . .	P. 86	JBXFD1G10FSSDSMR . . . . .	P. 164	JBXFD2G03MSSDSMR . . . . .	P. 46
JBXFD1G05FSSDSR . . . . .	P. 86	JBXFD1G10FSSDSR . . . . .	P. 164	JBXFD2G03MSSDSR . . . . .	P. 46
JBXFD1G05MCNDSMR . . . . .	P. 86	JBXFD1G12FCNDSMR . . . . .	P. 184	JBXFD2G04FCNDSMR . . . . .	P. 70
JBXFD1G05MCNDSR . . . . .	P. 86	JBXFD1G12FCNDSR . . . . .	P. 184	JBXFD2G04FCNDSR . . . . .	P. 70
JBXFD1G05MCSDSMR . . . . .	P. 86	JBXFD1G12FCSDSMR . . . . .	P. 184	JBXFD2G04FCSDSMR . . . . .	P. 70
JBXFD1G05MCSDSR . . . . .	P. 86	JBXFD1G12FCSDSR . . . . .	P. 184	JBXFD2G04FCSDSR . . . . .	P. 70
JBXFD1G05MSSDSMR . . . . .	P. 86	JBXFD1G12MSSDSMR . . . . .	P. 184	JBXFD2G04FSSDSMR . . . . .	P. 70
JBXFD1G05MSSDSR . . . . .	P. 86	JBXFD1G12MSSDSR . . . . .	P. 184	JBXFD2G04FSSDSR . . . . .	P. 70
JBXFD1G05MSSDSMR . . . . .	P. 86	JBXFD1G12MSSDSMR . . . . .	P. 184	JBXFD2G04MSSDSMR . . . . .	P. 70
JBXFD1G05MSSDSR . . . . .	P. 86	JBXFD1G12MSSDSR . . . . .	P. 184	JBXFD2G04MSSDSR . . . . .	P. 70
JBXFD1G06FCNDSMR . . . . .	P. 102	JBXFD2G001FCNDSMR . . . . .	P. 148	JBXFD2G04MCNDSMR . . . . .	P. 70
JBXFD1G06FCNDSR . . . . .	P. 102	JBXFD2G001FCNDSR . . . . .	P. 148	JBXFD2G04MCNDSR . . . . .	P. 70
JBXFD1G06FCSDSMR . . . . .	P. 102	JBXFD2G001FSSDSMR . . . . .	P. 148	JBXFD2G04MCSDSMR . . . . .	P. 70
JBXFD1G06FCSDSR . . . . .	P. 102	JBXFD2G001FSSDSR . . . . .	P. 148	JBXFD2G04MCSDSR . . . . .	P. 70
JBXFD1G06FSDSMR . . . . .	P. 102	JBXFD2G001MSSDSMR . . . . .	P. 148	JBXFD2G04MSNDSMR . . . . .	P. 70
JBXFD1G06FSDSR . . . . .	P. 102	JBXFD2G001MSSDSR . . . . .	P. 148	JBXFD2G04MSNDSR . . . . .	P. 70
JBXFD1G06FSSDSMR . . . . .	P. 102	JBXFD2G002FCNDSMR . . . . .	P. 158	JBXFD2G04MSSDSMR . . . . .	P. 70
JBXFD1G06FSSDSR . . . . .	P. 102	JBXFD2G002FCNDSR . . . . .	P. 158	JBXFD2G04MSSDSR . . . . .	P. 70
JBXFD1G06MCNDSMR . . . . .	P. 102	JBXFD2G002FSSDSMR . . . . .	P. 158	JBXFD2G04MSSDSR . . . . .	P. 70
JBXFD1G06MCNDSR . . . . .	P. 102	JBXFD2G002FSSDSR . . . . .	P. 158	JBXFD2G04MSSDSMR . . . . .	P. 70
JBXFD1G06MCSDSMR . . . . .	P. 102	JBXFD2G002MSSDSMR . . . . .	P. 158	JBXFD2G04MSSDSMR . . . . .	P. 70
JBXFD1G06MCSDSR . . . . .	P. 102	JBXFD2G002MSSDSR . . . . .	P. 158	JBXFD2G04MSSDSMR . . . . .	P. 70
JBXFD1G06MSNDSMR . . . . .	P. 102	JBXFD2G003FCNDSMR . . . . .	P. 174	JBXFD2G05FCNDSMR . . . . .	P. 90
JBXFD1G06MSNDSR . . . . .	P. 102	JBXFD2G003FCNDSR . . . . .	P. 174	JBXFD2G05FCNDSR . . . . .	P. 90
JBXFD1G06MSSDSMR . . . . .	P. 102	JBXFD2G003FSSDSMR . . . . .	P. 174	JBXFD2G05FCSDSMR . . . . .	P. 90
JBXFD1G06MSSDSR . . . . .	P. 102	JBXFD2G003FSSDSR . . . . .	P. 174	JBXFD2G05FCSDSR . . . . .	P. 90
JBXFD1G07FCNDSMR . . . . .	P. 118	JBXFD2G003MSSDSMR . . . . .	P. 174	JBXFD2G05FSSDSMR . . . . .	P. 90
JBXFD1G07FCNDSR . . . . .	P. 118	JBXFD2G003MSSDSR . . . . .	P. 174	JBXFD2G05FSSDSR . . . . .	P. 90
JBXFD1G07FCSDSMR . . . . .	P. 118	JBXFD2G003MSNDSMR . . . . .	P. 174	JBXFD2G05MSSDSMR . . . . .	P. 90
JBXFD1G07FCSDSR . . . . .	P. 118	JBXFD2G003MSNDSR . . . . .	P. 174	JBXFD2G05MSSDSR . . . . .	P. 90
JBXFD1G07FSDSMR . . . . .	P. 118	JBXFD2G003MSSDSMR . . . . .	P. 174	JBXFD2G05MSSDSMR . . . . .	P. 90
JBXFD1G07FSDSR . . . . .	P. 118	JBXFD2G003MSSDSR . . . . .	P. 174	JBXFD2G05MSSDSR . . . . .	P. 90
JBXFD1G07FSSDSMR . . . . .	P. 118	JBXFD2G003MSSDSMR . . . . .	P. 174	JBXFD2G05MSSDSMR . . . . .	P. 90
JBXFD1G07FSSDSR . . . . .	P. 118	JBXFD2G003MSSDSR . . . . .	P. 174	JBXFD2G05MSSDSR . . . . .	P. 90

JBXFD2G06FCNDSMR	P. 106	JBXFD2G12FCNDSMR	P. 188	JBXFD3G03FCNDSMR	P. 52
JBXFD2G06FCNDSR	P. 106	JBXFD2G12FCNDSR	P. 188	JBXFD3G03FCNDSR	P. 52
JBXFD2G06FCSDSMR	P. 106	JBXFD2G12FCSDSMR	P. 188	JBXFD3G03FCSDSMR	P. 52
JBXFD2G06FCSDSR	P. 106	JBXFD2G12FCSDSR	P. 188	JBXFD3G03FCSDSR	P. 52
JBXFD2G06FSNDSMR	P. 106	JBXFD2G12FSNDSMR	P. 188	JBXFD3G03FSNDSMR	P. 52
JBXFD2G06FSNDSR	P. 106	JBXFD2G12FSNDSR	P. 188	JBXFD3G03FSNDSR	P. 52
JBXFD2G06FSSDSMR	P. 106	JBXFD2G12FSSDSMR	P. 188	JBXFD3G03FSSDSMR	P. 52
JBXFD2G06FSSDSR	P. 106	JBXFD2G12FSSDSR	P. 188	JBXFD3G03FSSDSR	P. 52
JBXFD2G06MCNDSMR	P. 106	JBXFD2G12MCNDSMR	P. 188	JBXFD3G03MCNDSMR	P. 52
JBXFD2G06MCNDSR	P. 106	JBXFD2G12MCNDSR	P. 188	JBXFD3G03MCNDSR	P. 52
JBXFD2G06MCSDSMR	P. 106	JBXFD2G12MCSDSMR	P. 188	JBXFD3G03MCSDSMR	P. 52
JBXFD2G06MCSDSR	P. 106	JBXFD2G12MCSDSR	P. 188	JBXFD3G03MCSDSR	P. 52
JBXFD2G06MSNDSMR	P. 106	JBXFD2G12MSNDSMR	P. 188	JBXFD3G03MSNDSMR	P. 52
JBXFD2G06MSNDSR	P. 106	JBXFD2G12MSNDSR	P. 188	JBXFD3G03MSNDSR	P. 52
JBXFD2G06MSSDSMR	P. 106	JBXFD2G12MSSDSMR	P. 188	JBXFD3G03MSSDSMR	P. 52
JBXFD2G06MSSDSR	P. 106	JBXFD2G12MSSDSR	P. 188	JBXFD3G03MSSDSR	P. 52
JBXFD2G07FCNDSMR	P. 122	JBXFD2G16FCNDSMR	P. 198	JBXFD3G04FCNDSMR	P. 76
JBXFD2G07FCNDSR	P. 122	JBXFD2G16FCNDSR	P. 198	JBXFD3G04FCNDSR	P. 76
JBXFD2G07FCSDSMR	P. 122	JBXFD2G16FCSDSMR	P. 198	JBXFD3G04FCSDSMR	P. 76
JBXFD2G07FCSDSR	P. 122	JBXFD2G16FCSDSR	P. 198	JBXFD3G04FCSDSR	P. 76
JBXFD2G07FSNDSMR	P. 122	JBXFD2G16FSNDSMR	P. 198	JBXFD3G04FSNDSMR	P. 76
JBXFD2G07FSNDSR	P. 122	JBXFD2G16FSNDSR	P. 198	JBXFD3G04FSNDSR	P. 76
JBXFD2G07FSSDSMR	P. 122	JBXFD2G16FSSDSMR	P. 198	JBXFD3G04FSSDSMR	P. 76
JBXFD2G07FSSDSR	P. 122	JBXFD2G16FSSDSR	P. 198	JBXFD3G04FSSDSR	P. 76
JBXFD2G07MCNDSMR	P. 122	JBXFD2G16MCNDSMR	P. 198	JBXFD3G04MCNDSMR	P. 76
JBXFD2G07MCNDSR	P. 122	JBXFD2G16MCNDSR	P. 198	JBXFD3G04MCNDSR	P. 76
JBXFD2G07MCSDSMR	P. 122	JBXFD2G16MCSDSMR	P. 198	JBXFD3G04MCSDSMR	P. 76
JBXFD2G07MCSDSR	P. 122	JBXFD2G16MCSDSR	P. 198	JBXFD3G04MCSDSR	P. 76
JBXFD2G07MSNDSMR	P. 122	JBXFD2G16MSNDSMR	P. 198	JBXFD3G04MSNDSMR	P. 76
JBXFD2G07MSNDSR	P. 122	JBXFD2G16MSNDSR	P. 198	JBXFD3G04MSNDSR	P. 76
JBXFD2G07MSSDSMR	P. 122	JBXFD2G16MSSDSMR	P. 198	JBXFD3G04MSSDSMR	P. 76
JBXFD2G07MSSDSR	P. 122	JBXFD2G16MSSDSR	P. 198	JBXFD3G04MSSDSR	P. 76
JBXFD2G08FCNDSMR	P. 142	JBXFD2G18FCNDSMR	P. 204	JBXFD3G07FCNDSMR	P. 128
JBXFD2G08FCNDSR	P. 142	JBXFD2G18FCNDSR	P. 204	JBXFD3G07FCNDSR	P. 128
JBXFD2G08FCSDSMR	P. 142	JBXFD2G18FCSDSMR	P. 204	JBXFD3G07FCSDSMR	P. 128
JBXFD2G08FCSDSR	P. 142	JBXFD2G18FCSDSR	P. 204	JBXFD3G07FCSDSR	P. 128
JBXFD2G08FSNDSMR	P. 142	JBXFD2G18FSNDSMR	P. 204	JBXFD3G07FSNDSMR	P. 128
JBXFD2G08FSNDSR	P. 142	JBXFD2G18FSNDSR	P. 204	JBXFD3G07FSNDSR	P. 128
JBXFD2G08FSSDSMR	P. 142	JBXFD2G18FSSDSMR	P. 204	JBXFD3G07FSSDSMR	P. 128
JBXFD2G08FSSDSR	P. 142	JBXFD2G18FSSDSR	P. 204	JBXFD3G07FSSDSR	P. 128
JBXFD2G08MCNDSMR	P. 142	JBXFD2G18MCNDSMR	P. 204	JBXFD3G07MCNDSMR	P. 128
JBXFD2G08MCNDSR	P. 142	JBXFD2G18MCNDSR	P. 204	JBXFD3G07MCNDSR	P. 128
JBXFD2G08MCSDSMR	P. 142	JBXFD2G18MCSDSMR	P. 204	JBXFD3G07MCSDSMR	P. 128
JBXFD2G08MCSDSR	P. 142	JBXFD2G18MCSDSR	P. 204	JBXFD3G07MCSDSR	P. 128
JBXFD2G08MSNDSMR	P. 142	JBXFD2G18MSNDSMR	P. 204	JBXFD3G07MSNDSMR	P. 128
JBXFD2G08MSNDSR	P. 142	JBXFD2G18MSNDSR	P. 204	JBXFD3G07MSNDSR	P. 128
JBXFD2G08MSSDSMR	P. 142	JBXFD2G18MSSDSMR	P. 204	JBXFD3G07MSSDSMR	P. 128
JBXFD2G08MSSDSR	P. 142	JBXFD2G18MSSDSR	P. 204	JBXFD3G07MSSDSR	P. 128
JBXFD2G10FCNDSMR	P. 168	JBXFD2G19FCNDSMR	P. 214	JBXFD3G08FCNDSMR	P. 154
JBXFD2G10FCNDSR	P. 168	JBXFD2G19FCNDSR	P. 214	JBXFD3G08FCNDSR	P. 154
JBXFD2G10FCSDSMR	P. 168	JBXFD2G19FCSDSMR	P. 214	JBXFD3G08FCSDSMR	P. 154
JBXFD2G10FCSDSR	P. 168	JBXFD2G19FCSDSR	P. 214	JBXFD3G08FCSDSR	P. 154
JBXFD2G10FSNDSMR	P. 168	JBXFD2G19FSNDSMR	P. 214	JBXFD3G08FSNDSMR	P. 154
JBXFD2G10FSNDSR	P. 168	JBXFD2G19FSNDSR	P. 214	JBXFD3G08FSNDSR	P. 154
JBXFD2G10FSSDSMR	P. 168	JBXFD2G19FSSDSMR	P. 214	JBXFD3G08FSSDSMR	P. 154
JBXFD2G10FSSDSR	P. 168	JBXFD2G19FSSDSR	P. 214	JBXFD3G08FSSDSR	P. 154
JBXFD2G10MCNDSMR	P. 168	JBXFD2G19MCNDSMR	P. 214	JBXFD3G08MCNDSMR	P. 154
JBXFD2G10MCNDSR	P. 168	JBXFD2G19MCNDSR	P. 214	JBXFD3G08MCNDSR	P. 154
JBXFD2G10MCSDSMR	P. 168	JBXFD2G19MCSDSMR	P. 214	JBXFD3G08MCSDSMR	P. 154
JBXFD2G10MCSDSR	P. 168	JBXFD2G19MCSDSR	P. 214	JBXFD3G08MCSDSR	P. 154
JBXFD2G10MSNDSMR	P. 168	JBXFD2G19MSNDSMR	P. 214	JBXFD3G08MSNDSMR	P. 154
JBXFD2G10MSNDSR	P. 168	JBXFD2G19MSNDSR	P. 214	JBXFD3G08MSNDSR	P. 154
JBXFD2G10MSSDSMR	P. 168	JBXFD2G19MSSDSMR	P. 214	JBXFD3G08MSSDSMR	P. 154
JBXFD2G10MSSDSR	P. 168	JBXFD2G19MSSDSR	P. 214	JBXFD3G08MSSDSR	P. 154





JBXFH0G03MCNDSMR .....	P. 38	JBXFH2G001FSNDSMR .....	P. 150	JBXFH2G04MCNDSMR .....	P. 72
JBXFH0G03MCNDSR .....	P. 38	JBXFH2G001FSNDSR .....	P. 150	JBXFH2G04MCNDSR .....	P. 72
JBXFH0G03MCSDSMR .....	P. 38	JBXFH2G001FSSDSMR .....	P. 150	JBXFH2G04MCSDSMR .....	P. 72
JBXFH0G03MCSDSR .....	P. 38	JBXFH2G001FSSDSR .....	P. 150	JBXFH2G04MCSDSR .....	P. 72
JBXFH0G03MSNDSMR .....	P. 38	JBXFH2G001MSNDSMR .....	P. 150	JBXFH2G04MSNDSMR .....	P. 72
JBXFH0G03MSNDSR .....	P. 38	JBXFH2G001MSNDSR .....	P. 150	JBXFH2G04MSNDSR .....	P. 72
JBXFH0G03MSSDSMR .....	P. 38	JBXFH2G001MSSDSMR .....	P. 150	JBXFH2G04MSSDSMR .....	P. 72
JBXFH0G03MSSDSR .....	P. 38	JBXFH2G001MSSDSR .....	P. 150	JBXFH2G04MSSDSR .....	P. 72
JBXFH0G04FCNDSMR .....	P. 62	JBXFH2G002FCNDSMR .....	P. 160	JBXFH2G05FCNDSMR .....	P. 92
JBXFH0G04FCNDSR .....	P. 62	JBXFH2G002FCNDSR .....	P. 160	JBXFH2G05FCNDSR .....	P. 92
JBXFH0G04FCSDSMR .....	P. 62	JBXFH2G002FSSDSMR .....	P. 160	JBXFH2G05FCSDSMR .....	P. 92
JBXFH0G04FCSDSR .....	P. 62	JBXFH2G002FSSDSR .....	P. 160	JBXFH2G05FCSDSR .....	P. 92
JBXFH0G04FSNDSMR .....	P. 62	JBXFH2G002MSNDSMR .....	P. 160	JBXFH2G05FSNDSMR .....	P. 92
JBXFH0G04FSNDSR .....	P. 62	JBXFH2G002MSNDSR .....	P. 160	JBXFH2G05FSNDSR .....	P. 92
JBXFH0G04FSSDSMR .....	P. 62	JBXFH2G002MSSDSMR .....	P. 160	JBXFH2G05FSSDSMR .....	P. 92
JBXFH0G04FSSDSR .....	P. 62	JBXFH2G002MSSDSR .....	P. 160	JBXFH2G05FSSDSR .....	P. 92
JBXFH0G04MCNDSMR .....	P. 62	JBXFH2G003FSNDSMR .....	P. 176	JBXFH2G05MCNDSMR .....	P. 92
JBXFH0G04MCNDSR .....	P. 62	JBXFH2G003FSNDSR .....	P. 176	JBXFH2G05MCNDSR .....	P. 92
JBXFH0G04MCSDSMR .....	P. 62	JBXFH2G003FSSDSMR .....	P. 176	JBXFH2G05MCSDSMR .....	P. 92
JBXFH0G04MCSDSR .....	P. 62	JBXFH2G003FSSDSR .....	P. 176	JBXFH2G05MCSDSR .....	P. 92
JBXFH0G04MSNDSMR .....	P. 62	JBXFH2G003MSNDSMR .....	P. 176	JBXFH2G05MSNDSMR .....	P. 92
JBXFH0G04MSNDSR .....	P. 62	JBXFH2G003MSNDSR .....	P. 176	JBXFH2G05MSNDSR .....	P. 92
JBXFH0G04MSSDSMR .....	P. 62	JBXFH2G003MSSDSMR .....	P. 176	JBXFH2G05MSSDSMR .....	P. 92
JBXFH0G04MSSDSR .....	P. 62	JBXFH2G003MSSDSR .....	P. 176	JBXFH2G05MSSDSR .....	P. 92
JBXFH0G05FCNDSMR .....	P. 82	JBXFH2G002FCNDSMR .....	P. 32	JBXFH2G06FCNDSMR .....	P. 108
JBXFH0G05FCNDSR .....	P. 82	JBXFH2G002FCNDSR .....	P. 32	JBXFH2G06FCNDSR .....	P. 108
JBXFH0G05FCSDSMR .....	P. 82	JBXFH2G002FCSDSMR .....	P. 32	JBXFH2G06FCSDSMR .....	P. 108
JBXFH0G05FCSDSR .....	P. 82	JBXFH2G002FCSDSR .....	P. 32	JBXFH2G06FCSDSR .....	P. 108
JBXFH0G05FSNDSMR .....	P. 82	JBXFH2G002FSNDSMR .....	P. 32	JBXFH2G06FSNDSMR .....	P. 108
JBXFH0G05FSNDSR .....	P. 82	JBXFH2G002FSNDSR .....	P. 32	JBXFH2G06FSNDSR .....	P. 108
JBXFH0G05FSSDSMR .....	P. 82	JBXFH2G002FSSDSMR .....	P. 32	JBXFH2G06FSSDSMR .....	P. 108
JBXFH0G05FSSDSR .....	P. 82	JBXFH2G002FSSDSR .....	P. 32	JBXFH2G06FSSDSR .....	P. 108
JBXFH0G05MCNDSMR .....	P. 82	JBXFH2G002MCNDSMR .....	P. 32	JBXFH2G06MCNDSMR .....	P. 108
JBXFH0G05MCNDSR .....	P. 82	JBXFH2G002MCNDSR .....	P. 32	JBXFH2G06MCNDSR .....	P. 108
JBXFH0G05MCSDSMR .....	P. 82	JBXFH2G002MCSDSMR .....	P. 32	JBXFH2G06MCSDSMR .....	P. 108
JBXFH0G05MCSDSR .....	P. 82	JBXFH2G002MCSDSR .....	P. 32	JBXFH2G06MCSDSR .....	P. 108
JBXFH0G05MSNDSMR .....	P. 82	JBXFH2G002MSNDSMR .....	P. 32	JBXFH2G06MSNDSMR .....	P. 108
JBXFH0G05MSNDSR .....	P. 82	JBXFH2G002MSNDSR .....	P. 32	JBXFH2G06MSNDSR .....	P. 108
JBXFH0G05MSSDSMR .....	P. 82	JBXFH2G002MSSDSMR .....	P. 32	JBXFH2G06MSSDSMR .....	P. 108
JBXFH0G05MSSDSR .....	P. 82	JBXFH2G002MSSDSR .....	P. 32	JBXFH2G06MSSDSR .....	P. 108
JBXFH0G06FSNDSMR .....	P. 98	JBXFH2G003FCNDSMR .....	P. 48	JBXFH2G07FCNDSMR .....	P. 124
JBXFH0G06FSNDSR .....	P. 98	JBXFH2G003FCNDSR .....	P. 48	JBXFH2G07FCNDSR .....	P. 124
JBXFH0G06FSSDSMR .....	P. 98	JBXFH2G003FSSDSMR .....	P. 48	JBXFH2G07FSSDSMR .....	P. 124
JBXFH0G06FSSDSR .....	P. 98	JBXFH2G003FSSDSR .....	P. 48	JBXFH2G07FSSDSR .....	P. 124
JBXFH0G06MSNDSMR .....	P. 98	JBXFH2G003FSNDSMR .....	P. 48	JBXFH2G07FSNDSMR .....	P. 124
JBXFH0G06MSNDSR .....	P. 98	JBXFH2G003FSNDSR .....	P. 48	JBXFH2G07FSNDSR .....	P. 124
JBXFH0G06MCSDSMR .....	P. 98	JBXFH2G003MCSDSMR .....	P. 48	JBXFH2G07MCSDSMR .....	P. 124
JBXFH0G06MCSDSR .....	P. 98	JBXFH2G003MCSDSR .....	P. 48	JBXFH2G07MCSDSR .....	P. 124
JBXFH0G06MSNDSMR .....	P. 98	JBXFH2G003MSNDSMR .....	P. 48	JBXFH2G07MSNDSMR .....	P. 124
JBXFH0G06MSNDSR .....	P. 98	JBXFH2G003MSNDSR .....	P. 48	JBXFH2G07MSNDSR .....	P. 124
JBXFH0G06MSSDSMR .....	P. 98	JBXFH2G003MSSDSMR .....	P. 48	JBXFH2G07MSSDSMR .....	P. 124
JBXFH0G06MSSDSR .....	P. 98	JBXFH2G003MSSDSR .....	P. 48	JBXFH2G07MSSDSR .....	P. 124
JBXFH0G07FSNDSMR .....	P. 114	JBXFH2G003FCNDSMR .....	P. 48	JBXFH2G08FCNDSMR .....	P. 144
JBXFH0G07FSNDSR .....	P. 114	JBXFH2G003FCNDSR .....	P. 48	JBXFH2G08FCNDSR .....	P. 144
JBXFH0G07FSSDSMR .....	P. 114	JBXFH2G003FSSDSMR .....	P. 48	JBXFH2G08FSSDSMR .....	P. 144
JBXFH0G07FSSDSR .....	P. 114	JBXFH2G003FSSDSR .....	P. 48	JBXFH2G08FSSDSR .....	P. 144
JBXFH0G07MSNDSMR .....	P. 114	JBXFH2G003MSNDSMR .....	P. 48	JBXFH2G08MSNDSMR .....	P. 144
JBXFH0G07MSNDSR .....	P. 114	JBXFH2G003MSNDSR .....	P. 48	JBXFH2G08MSNDSR .....	P. 144
JBXFH0G07MSSDSMR .....	P. 114	JBXFH2G003MSSDSMR .....	P. 48	JBXFH2G08MSSDSMR .....	P. 144
JBXFH0G07MSSDSR .....	P. 114	JBXFH2G003MSSDSR .....	P. 48	JBXFH2G08MSSDSR .....	P. 144
JBXFH0G08FSNDSMR .....	P. 134	JBXFH2G004FCNDSMR .....	P. 72	JBXFH2G08FCNDSMR .....	P. 144
JBXFH0G08FSNDSR .....	P. 134	JBXFH2G004FCNDSR .....	P. 72	JBXFH2G08FCNDSR .....	P. 144
JBXFH0G08FSSDSMR .....	P. 134	JBXFH2G004FSSDSMR .....	P. 72	JBXFH2G08FSSDSMR .....	P. 144
JBXFH0G08FSSDSR .....	P. 134	JBXFH2G004FSSDSR .....	P. 72	JBXFH2G08FSSDSR .....	P. 144
JBXFH0G08MSNDSMR .....	P. 134	JBXFH2G004MSNDSMR .....	P. 72	JBXFH2G08MSNDSMR .....	P. 144
JBXFH0G08MSNDSR .....	P. 134	JBXFH2G004MSNDSR .....	P. 72	JBXFH2G08MSNDSR .....	P. 144
JBXFH0G08MSSDSMR .....	P. 134	JBXFH2G004MSSDSMR .....	P. 72	JBXFH2G08MSSDSMR .....	P. 144
JBXFH0G08MSSDSR .....	P. 134	JBXFH2G004MSSDSR .....	P. 72	JBXFH2G08MSSDSR .....	P. 144

Part Number Index (Continued)

JBXFH2G08MCNDSMR	P. 144	JBXFH2G18MCNDSMR	P. 206	JBXFM0G07FSNDSMR	P. 112
JBXFH2G08MCNDSR	P. 144	JBXFH2G18MCNDSR	P. 206	JBXFM0G07FSNDSR	P. 112
JBXFH2G08MCSDSMR	P. 144	JBXFH2G18MCSDSMR	P. 206	JBXFM0G07FSSDSMR	P. 112
JBXFH2G08MCSDSR	P. 144	JBXFH2G18MCSDSR	P. 206	JBXFM0G07FSSDSR	P. 112
JBXFH2G08MSNDSMR	P. 144	JBXFH2G18MSNDSMR	P. 206	JBXFM0G07MSNDSMR	P. 112
JBXFH2G08MSNDSR	P. 144	JBXFH2G18MSNDSR	P. 206	JBXFM0G07MSNDSR	P. 112
JBXFH2G08MSSDSMR	P. 144	JBXFH2G18MSSDSMR	P. 206	JBXFM0G07MSSDSMR	P. 112
JBXFH2G08MSSDSR	P. 144	JBXFH2G18MSSDSR	P. 206	JBXFM0G07MSSDSR	P. 112
JBXFH2G10FCNDSMR	P. 170	JBXFH2G19FCNDSMR	P. 216	JBXFM0G08FSNDSMR	P. 132
JBXFH2G10FCNDSR	P. 170	JBXFH2G19FCNDSR	P. 216	JBXFM0G08FSNDSR	P. 132
JBXFH2G10FCSDSMR	P. 170	JBXFH2G19FCSDSMR	P. 216	JBXFM0G08FSSDSMR	P. 132
JBXFH2G10FCSDSR	P. 170	JBXFH2G19FCSDSR	P. 216	JBXFM0G08FSSDSR	P. 132
JBXFH2G10FSNDSMR	P. 170	JBXFH2G19FSNDSMR	P. 216	JBXFM0G08MSNDSMR	P. 132
JBXFH2G10FSNDSR	P. 170	JBXFH2G19FSNDSR	P. 216	JBXFM0G08MSNDSR	P. 132
JBXFH2G10FSSDSMR	P. 170	JBXFH2G19FSSDSMR	P. 216	JBXFM0G08MSSDSMR	P. 132
JBXFH2G10FSSDSR	P. 170	JBXFH2G19FSSDSR	P. 216	JBXFM0G08MSSDSR	P. 132
JBXFH2G10MCNDSMR	P. 170	JBXFH2G19MCNDSMR	P. 216	JBXFN0G02FSNDSMR	P. 20
JBXFH2G10MCNDSR	P. 170	JBXFH2G19MCNDSR	P. 216	JBXFN0G02FSNDSR	P. 20
JBXFH2G10MCSDSMR	P. 170	JBXFH2G19MCSDSMR	P. 216	JBXFN0G02FSSDSMR	P. 20
JBXFH2G10MCSDSR	P. 170	JBXFH2G19MCSDSR	P. 216	JBXFN0G02FSSDSR	P. 20
JBXFH2G10MSNDSMR	P. 170	JBXFH2G19MSNDSMR	P. 216	JBXFN0G02MSNDSMR	P. 20
JBXFH2G10MSNDSR	P. 170	JBXFH2G19MSNDSR	P. 216	JBXFN0G02MSNDSR	P. 20
JBXFH2G10MSSDSMR	P. 170	JBXFH2G19MSSDSMR	P. 216	JBXFN0G02MSSDSMR	P. 20
JBXFH2G10MSSDSR	P. 170	JBXFH2G19MSSDSR	P. 216	JBXFN0G02MSSDSR	P. 20
JBXFH2G10FCNDSMR	P. 190	JBXFM0G02FSNDSMR	P. 20	JBXFN0G03FSNDSMR	P. 36
JBXFH2G10FCNDSR	P. 190	JBXFM0G02FSNDSR	P. 20	JBXFN0G03FSNDSR	P. 36
JBXFH2G10FCSDSMR	P. 190	JBXFM0G02FSSDSMR	P. 20	JBXFN0G03FSSDSMR	P. 36
JBXFH2G10FCSDSR	P. 190	JBXFM0G02FSSDSR	P. 20	JBXFN0G03FSSDSR	P. 36
JBXFH2G10FSNDSMR	P. 190	JBXFM0G02MSNDSMR	P. 20	JBXFN0G03MSNDSMR	P. 36
JBXFH2G10FSNDSR	P. 190	JBXFM0G02MSNDSR	P. 20	JBXFN0G03MSNDSR	P. 36
JBXFH2G10FSSDSMR	P. 190	JBXFM0G02MSSDSMR	P. 20	JBXFN0G03MSSDSMR	P. 36
JBXFH2G10FSSDSR	P. 190	JBXFM0G02MSSDSR	P. 20	JBXFN0G03MSSDSR	P. 36
JBXFH2G10MCNDSMR	P. 190	JBXFM0G03FSNDSMR	P. 36	JBXFN0G04FSNDSMR	P. 60
JBXFH2G10MCNDSR	P. 190	JBXFM0G03FSNDSR	P. 36	JBXFN0G04FSNDSR	P. 60
JBXFH2G10MCSDSMR	P. 190	JBXFM0G03FSSDSMR	P. 36	JBXFN0G04FSSDSMR	P. 60
JBXFH2G10MCSDSR	P. 190	JBXFM0G03FSSDSR	P. 36	JBXFN0G04FSSDSR	P. 60
JBXFH2G10MSNDSMR	P. 190	JBXFM0G03MSNDSMR	P. 36	JBXFN0G04MSNDSMR	P. 60
JBXFH2G10MSNDSR	P. 190	JBXFM0G03MSNDSR	P. 36	JBXFN0G04MSNDSR	P. 60
JBXFH2G10MSSDSMR	P. 190	JBXFM0G03MSSDSMR	P. 36	JBXFN0G04MSSDSMR	P. 60
JBXFH2G10MSSDSR	P. 190	JBXFM0G03MSSDSR	P. 36	JBXFN0G04MSSDSR	P. 60
JBXFH2G10FCNDSMR	P. 200	JBXFM0G04FSNDSMR	P. 60	JBXFN0G05FSNDSMR	P. 80
JBXFH2G10FCNDSR	P. 200	JBXFM0G04FSNDSR	P. 60	JBXFN0G05FSNDSR	P. 80
JBXFH2G10FCSDSMR	P. 200	JBXFM0G04FSSDSMR	P. 60	JBXFN0G05FSSDSMR	P. 80
JBXFH2G10FCSDSR	P. 200	JBXFM0G04FSSDSR	P. 60	JBXFN0G05FSSDSR	P. 80
JBXFH2G10FSNDSMR	P. 200	JBXFM0G04MSNDSMR	P. 60	JBXFN0G05MSNDSMR	P. 80
JBXFH2G10FSNDSR	P. 200	JBXFM0G04MSNDSR	P. 60	JBXFN0G05MSNDSR	P. 80
JBXFH2G10FSSDSMR	P. 200	JBXFM0G04MSSDSMR	P. 60	JBXFN0G05MSSDSMR	P. 80
JBXFH2G10FSSDSR	P. 200	JBXFM0G04MSSDSR	P. 60	JBXFN0G05MSSDSR	P. 80
JBXFH2G16MCNDSMR	P. 200	JBXFM0G05FSNDSMR	P. 80	JBXFN0G06FSNDSMR	P. 96
JBXFH2G16MCNDSR	P. 200	JBXFM0G05FSNDSR	P. 80	JBXFN0G06FSNDSR	P. 96
JBXFH2G16MCSDSMR	P. 200	JBXFM0G05FSSDSMR	P. 80	JBXFN0G06FSSDSMR	P. 96
JBXFH2G16MCSDSR	P. 200	JBXFM0G05FSSDSR	P. 80	JBXFN0G06FSSDSR	P. 96
JBXFH2G16MSNDSMR	P. 200	JBXFM0G05MSNDSMR	P. 80	JBXFN0G06MSNDSMR	P. 96
JBXFH2G16MSNDSR	P. 200	JBXFM0G05MSNDSR	P. 80	JBXFN0G06MSNDSR	P. 96
JBXFH2G16MSSDSMR	P. 200	JBXFM0G05MSSDSMR	P. 80	JBXFN0G06MSSDSMR	P. 96
JBXFH2G16MSSDSR	P. 200	JBXFM0G05MSSDSR	P. 80	JBXFN0G06MSSDSR	P. 96
JBXFH2G18FCNDSMR	P. 206	JBXFM0G06FSNDSMR	P. 96	JBXFN0G07FSNDSMR	P. 112
JBXFH2G18FCNDSR	P. 206	JBXFM0G06FSNDSR	P. 96	JBXFN0G07FSNDSR	P. 112
JBXFH2G18FCSDSMR	P. 206	JBXFM0G06FSSDSMR	P. 96	JBXFN0G07FSSDSMR	P. 112
JBXFH2G18FCSDSR	P. 206	JBXFM0G06FSSDSR	P. 96	JBXFN0G07FSSDSR	P. 112
JBXFH2G18FSNDSMR	P. 206	JBXFM0G06MSNDSMR	P. 96	JBXFN0G07MSNDSMR	P. 112
JBXFH2G18FSNDSR	P. 206	JBXFM0G06MSNDSR	P. 96	JBXFN0G07MSNDSR	P. 112
JBXFH2G18FSSDSMR	P. 206	JBXFM0G06MSSDSMR	P. 96	JBXFN0G07MSSDSMR	P. 112
JBXFH2G18FSSDSR	P. 206	JBXFM0G06MSSDSR	P. 96	JBXFN0G07MSSDSR	P. 112

JBXFN0G08FSNDSMR.....	P. 132	JBXHD0G02MCNDSR.....	P. 22	JBXHH0G05FCNDSR.....	P. 82
JBXFN0G08FSNDSR.....	P. 132	JBXHD0G02MCSDSR.....	P. 22	JBXHH0G05FCSDSR.....	P. 82
JBXFN0G08FSSDSMR.....	P. 132	JBXHD0G02MSNDSR.....	P. 22	JBXHH0G05FSNDSR.....	P. 82
JBXFN0G08FSSDSR.....	P. 132	JBXHD0G02MSSDSR.....	P. 22	JBXHH0G05FSSDSR.....	P. 82
JBXFN0G08MSNDSMR.....	P. 132	JBXHD0G03FCNDSR.....	P. 38	JBXHH0G05MCNDSR.....	P. 82
JBXFN0G08MSNDSR.....	P. 132	JBXHD0G03FCSDSR.....	P. 38	JBXHH0G05MCSDSR.....	P. 82
JBXFN0G08MSSDSMR.....	P. 132	JBXHD0G03FSNDSR.....	P. 38	JBXHH0G05MSNDSR.....	P. 82
JBXFN0G08MSSDSR.....	P. 132	JBXHD0G03FSSDSR.....	P. 38	JBXHH0G05MSSDSR.....	P. 82
JBXHC0G02FPNDSR.....	P. 22	JBXHD0G03MCNDSR.....	P. 38	JBXHH0G06FSNDSR.....	P. 98
JBXHC0G02FPSDSR.....	P. 22	JBXHD0G03MCSDSR.....	P. 38	JBXHH0G06FSSDSR.....	P. 98
JBXHC0G02FSNDSR.....	P. 22	JBXHD0G03MSNDSR.....	P. 38	JBXHH0G06MSNDSR.....	P. 98
JBXHC0G02FSSDSR.....	P. 22	JBXHD0G03MSSDSR.....	P. 38	JBXHH0G06MSSDSR.....	P. 98
JBXHC0G02MSNDSR.....	P. 22	JBXHD0G04FCNDSR.....	P. 62	JBXHH0G07FSNDSR.....	P. 114
JBXHC0G02MSSDSR.....	P. 22	JBXHD0G04FCSDSR.....	P. 62	JBXHH0G07FSSDSR.....	P. 114
JBXHC0G03FPNDSR.....	P. 38	JBXHD0G04FSNDSR.....	P. 62	JBXHH0G07MSNDSR.....	P. 114
JBXHC0G03FPSDSR.....	P. 38	JBXHD0G04FSSDSR.....	P. 62	JBXHH0G07MSSDSR.....	P. 114
JBXHC0G03FSNDSR.....	P. 38	JBXHD0G04MCNDSR.....	P. 62	JBXHH0G08FSNDSR.....	P. 134
JBXHC0G03FSSDSR.....	P. 38	JBXHD0G04MCSDSR.....	P. 62	JBXHH0G08FSSDSR.....	P. 134
JBXHC0G03MSNDSR.....	P. 38	JBXHD0G04MSNDSR.....	P. 62	JBXHH0G08MSNDSR.....	P. 134
JBXHC0G03MSSDSR.....	P. 38	JBXHD0G04MSSDSR.....	P. 62	JBXHH0G08MSSDSR.....	P. 134
JBXHC0G04FPNDSR.....	P. 62	JBXHD0G05FCNDSR.....	P. 82	JBXHH2G001FSNDSR.....	P. 150
JBXHC0G04FPSDSR.....	P. 62	JBXHD0G05FCSDSR.....	P. 82	JBXHH2G001FSSDSR.....	P. 150
JBXHC0G04FSNDSR.....	P. 62	JBXHD0G05FSNDSR.....	P. 82	JBXHH2G001MSNDSR.....	P. 150
JBXHC0G04FSSDSR.....	P. 62	JBXHD0G05FSSDSR.....	P. 82	JBXHH2G001MSSDSR.....	P. 150
JBXHC0G04MPNDSR.....	P. 62	JBXHD0G05MCNDSR.....	P. 82	JBXHH2G001MSNDSR.....	P. 160
JBXHC0G04MPSDSR.....	P. 62	JBXHD0G05MCSDSR.....	P. 82	JBXHH2G002FSNDSR.....	P. 160
JBXHC0G04MSNDSR.....	P. 62	JBXHD0G05MSNDSR.....	P. 82	JBXHH2G002FSSDSR.....	P. 160
JBXHC0G04MSSDSR.....	P. 62	JBXHD0G05MSSDSR.....	P. 82	JBXHH2G002MSNDSR.....	P. 160
JBXHC0G05FPNDSR.....	P. 82	JBXHD0G06FSNDSR.....	P. 98	JBXHH2G002MSSDSR.....	P. 160
JBXHC0G05FPSDSR.....	P. 82	JBXHD0G06FSSDSR.....	P. 98	JBXHH2G003FSNDSR.....	P. 176
JBXHC0G05FSNDSR.....	P. 82	JBXHD0G06MCSDSR.....	P. 98	JBXHH2G003FSSDSR.....	P. 176
JBXHC0G05FSSDSR.....	P. 82	JBXHD0G06MSNDSR.....	P. 98	JBXHH2G003MSSDSR.....	P. 176
JBXHC0G05MPSDSR.....	P. 82	JBXHD0G06MSSDSR.....	P. 98	JBXHH2G003MSNDSR.....	P. 32
JBXHC0G05MSNDSR.....	P. 82	JBXHD0G07FSNDSR.....	P. 114	JBXHH2G002FCNDSR.....	P. 32
JBXHC0G05MSSDSR.....	P. 82	JBXHD0G07FSSDSR.....	P. 114	JBXHH2G002FCSDSR.....	P. 32
JBXHC0G06FPNDSR.....	P. 82	JBXHD0G07MSNDSR.....	P. 114	JBXHH2G002FSNDSR.....	P. 32
JBXHC0G06FPSDSR.....	P. 82	JBXHD0G07MSSDSR.....	P. 114	JBXHH2G002FSSDSR.....	P. 32
JBXHC0G06FSNDSR.....	P. 98	JBXHD0G08FSNDSR.....	P. 134	JBXHH2G002MCNDSR.....	P. 32
JBXHC0G06FSSDSR.....	P. 98	JBXHD0G08FSSDSR.....	P. 134	JBXHH2G002MCSDSR.....	P. 32
JBXHC0G06MPNDSR.....	P. 98	JBXHD0G08MCSDSR.....	P. 134	JBXHH2G002MSNDSR.....	P. 32
JBXHC0G06MPSDSR.....	P. 98	JBXHD0G08MSSDSR.....	P. 134	JBXHH2G002MSSDSR.....	P. 32
JBXHC0G06MSNDSR.....	P. 98	JBXHD0G08MSSDSR.....	P. 134	JBXHH2G003FCNDSR.....	P. 48
JBXHC0G06MSSDSR.....	P. 98	JBXHD0G09FSNDSR.....	P. 22	JBXHH2G003FCSDSR.....	P. 48
JBXHC0G07FPNDSR.....	P. 114	JBXHD0G09FSSDSR.....	P. 22	JBXHH2G003FSNDSR.....	P. 48
JBXHC0G07FPSDSR.....	P. 114	JBXHD0G09MCNDSR.....	P. 22	JBXHH2G003FSSDSR.....	P. 48
JBXHC0G07FSNDSR.....	P. 114	JBXHD0G09MCSDSR.....	P. 22	JBXHH2G003MCNDSR.....	P. 48
JBXHC0G07FSSDSR.....	P. 114	JBXHD0G09MSNDSR.....	P. 22	JBXHH2G003MCSDSR.....	P. 48
JBXHC0G07MPSDSR.....	P. 114	JBXHD0G09MSSDSR.....	P. 22	JBXHH2G003MSNDSR.....	P. 48
JBXHC0G07MPNDSR.....	P. 114	JBXHD0G10FSNDSR.....	P. 38	JBXHH2G003MSSDSR.....	P. 48
JBXHC0G07MSNDSR.....	P. 114	JBXHD0G10FSSDSR.....	P. 38	JBXHH2G004FCNDSR.....	P. 72
JBXHC0G07MSSDSR.....	P. 114	JBXHD0G10FCSDSR.....	P. 38	JBXHH2G004FCSDSR.....	P. 72
JBXHC0G08FPNDSR.....	P. 134	JBXHD0G10FSNDSR.....	P. 38	JBXHH2G004FSNDSR.....	P. 72
JBXHC0G08FPSDSR.....	P. 134	JBXHD0G10FSSDSR.....	P. 38	JBXHH2G004FSSDSR.....	P. 72
JBXHC0G08FSNDSR.....	P. 134	JBXHD0G10MCNDSR.....	P. 38	JBXHH2G004MCNDSR.....	P. 72
JBXHC0G08FSSDSR.....	P. 134	JBXHD0G10MCSDSR.....	P. 38	JBXHH2G004MCSDSR.....	P. 72
JBXHC0G08MPNDSR.....	P. 134	JBXHD0G10MSNDSR.....	P. 38	JBXHH2G004MSNDSR.....	P. 72
JBXHC0G08MPSDSR.....	P. 134	JBXHD0G10MSSDSR.....	P. 38	JBXHH2G004MSSDSR.....	P. 72
JBXHC0G08MSNDSR.....	P. 134	JBXHD0G11FSNDSR.....	P. 62	JBXHH2G005FCNDSR.....	P. 92
JBXHC0G08MSSDSR.....	P. 134	JBXHD0G11FSSDSR.....	P. 62	JBXHH2G005FCSDSR.....	P. 92
JBXHD0G02FCNDSR.....	P. 22	JBXHD0G11MCNDSR.....	P. 62	JBXHH2G005FSNDSR.....	P. 92
JBXHD0G02FCSDSR.....	P. 22	JBXHD0G11MCSDSR.....	P. 62	JBXHH2G005FSSDSR.....	P. 92
JBXHD0G02FSNDSR.....	P. 22	JBXHD0G11MSNDSR.....	P. 62	JBXHH2G005MCNDSR.....	P. 92
JBXHD0G02FSSDSR.....	P. 22	JBXHD0G11MSSDSR.....	P. 62	JBXHH2G005MCSDSR.....	P. 92
		JBXHD0G11MSNDSR.....	P. 62	JBXHH2G005MSNDSR.....	P. 92
		JBXHD0G11MSSDSR.....	P. 62	JBXHH2G005MSSDSR.....	P. 92

Part Number Index (Continued)

JBXHH2G06FCNDSR.....	P. 108	JBXPC0G02FCNDSMR.....	P. 20	JBXPC0G06FSNDSMR.....	P. 96
JBXHH2G06FCSDSR.....	P. 108	JBXPC0G02FCNDSR.....	P. 20	JBXPC0G06FSNDSR.....	P. 96
JBXHH2G06FSNDSR.....	P. 108	JBXPC0G02FCSDSMR.....	P. 20	JBXPC0G06FSSDSMR.....	P. 96
JBXHH2G06FSSDSR.....	P. 108	JBXPC0G02FCSDSR.....	P. 20	JBXPC0G06FSSDSR.....	P. 96
JBXHH2G06MCNDSR.....	P. 108	JBXPC0G02FSNDSMR.....	P. 20	JBXPC0G06MSNDSMR.....	P. 96
JBXHH2G06MCSDSR.....	P. 108	JBXPC0G02FSNDSR.....	P. 20	JBXPC0G06MSNDSR.....	P. 96
JBXHH2G06MSNDSR.....	P. 108	JBXPC0G02FSSDSMR.....	P. 20	JBXPC0G06MSSDSMR.....	P. 96
JBXHH2G06MSSDSR.....	P. 108	JBXPC0G02FSSDSR.....	P. 20	JBXPC0G06MSSDSR.....	P. 96
JBXHH2G07FCNDSR.....	P. 124	JBXPC0G02MCNDSMR.....	P. 20	JBXPC0G07FSNDSMR.....	P. 112
JBXHH2G07FCSDSR.....	P. 124	JBXPC0G02MCNDSR.....	P. 20	JBXPC0G07FSNDSR.....	P. 112
JBXHH2G07FSNDSR.....	P. 124	JBXPC0G02MCSDSMR.....	P. 20	JBXPC0G07FSSDSMR.....	P. 112
JBXHH2G07FSSDSR.....	P. 124	JBXPC0G02MCSDSR.....	P. 20	JBXPC0G07FSSDSR.....	P. 112
JBXHH2G07MCNDSR.....	P. 124	JBXPC0G02MSNDSMR.....	P. 20	JBXPC0G07MSNDSMR.....	P. 112
JBXHH2G07MCSDSR.....	P. 124	JBXPC0G02MSNDSR.....	P. 20	JBXPC0G07MSNDSR.....	P. 112
JBXHH2G07MSNDSR.....	P. 124	JBXPC0G02MSSDSMR.....	P. 20	JBXPC0G07MSSDSMR.....	P. 112
JBXHH2G07MSSDSR.....	P. 124	JBXPC0G02MSSDSR.....	P. 20	JBXPC0G07MSSDSR.....	P. 112
JBXHH2G08FCNDSR.....	P. 144	JBXPC0G03FCNDSMR.....	P. 36	JBXPC0G08FSNDSMR.....	P. 132
JBXHH2G08FCSDSR.....	P. 144	JBXPC0G03FCNDSR.....	P. 36	JBXPC0G08FSNDSR.....	P. 132
JBXHH2G08FSNDSR.....	P. 144	JBXPC0G03FCSDSMR.....	P. 36	JBXPC0G08FSSDSMR.....	P. 132
JBXHH2G08FSSDSR.....	P. 144	JBXPC0G03FCSDSR.....	P. 36	JBXPC0G08FSSDSR.....	P. 132
JBXHH2G08MCNDSR.....	P. 144	JBXPC0G03FSNDSMR.....	P. 36	JBXPC0G08MSNDSMR.....	P. 132
JBXHH2G08MCSDSR.....	P. 144	JBXPC0G03FSNDSR.....	P. 36	JBXPC0G08MSNDSR.....	P. 132
JBXHH2G08MSNDSR.....	P. 144	JBXPC0G03FSSDSMR.....	P. 36	JBXPC0G08MSSDSMR.....	P. 132
JBXHH2G08MSSDSR.....	P. 144	JBXPC0G03FSSDSR.....	P. 36	JBXPC0G08MSSDSR.....	P. 132
JBXHH2G10FCNDSR.....	P. 170	JBXPC0G03MCNDSMR.....	P. 36	JBXPC1G02FCNDSMR.....	P. 26
JBXHH2G10FCSDSR.....	P. 170	JBXPC0G03MCNDSR.....	P. 36	JBXPC1G02FCNDSR.....	P. 26
JBXHH2G10FSNDSR.....	P. 170	JBXPC0G03MCSDSMR.....	P. 36	JBXPC1G02FCSDSMR.....	P. 26
JBXHH2G10FSSDSR.....	P. 170	JBXPC0G03MCSDSR.....	P. 36	JBXPC1G02FCSDSR.....	P. 26
JBXHH2G10MCNDSR.....	P. 170	JBXPC0G03MSNDSMR.....	P. 36	JBXPC1G02FSNDSMR.....	P. 26
JBXHH2G10MCSDSR.....	P. 170	JBXPC0G03MSNDSR.....	P. 36	JBXPC1G02FSNDSR.....	P. 26
JBXHH2G10MSNDSR.....	P. 170	JBXPC0G03MSSDSMR.....	P. 36	JBXPC1G02FSSDSMR.....	P. 26
JBXHH2G10MSSDSR.....	P. 170	JBXPC0G03MSSDSR.....	P. 36	JBXPC1G02FSSDSR.....	P. 26
JBXHH2G12FCNDSR.....	P. 190	JBXPC0G04FCNDSMR.....	P. 60	JBXPC1G02MCNDSMR.....	P. 26
JBXHH2G12FCSDSR.....	P. 190	JBXPC0G04FCNDSR.....	P. 60	JBXPC1G02MCNDSR.....	P. 26
JBXHH2G12FSNDSR.....	P. 190	JBXPC0G04FCSDSMR.....	P. 60	JBXPC1G02MCSDSMR.....	P. 26
JBXHH2G12FSSDSR.....	P. 190	JBXPC0G04FCSDSR.....	P. 60	JBXPC1G02MCSDSR.....	P. 26
JBXHH2G12MCNDSR.....	P. 190	JBXPC0G04FSNDSMR.....	P. 60	JBXPC1G02MSNDSMR.....	P. 26
JBXHH2G12MCSDSR.....	P. 190	JBXPC0G04FSNDSR.....	P. 60	JBXPC1G02MSNDSR.....	P. 26
JBXHH2G12MSNDSR.....	P. 190	JBXPC0G04FSSDSMR.....	P. 60	JBXPC1G02MSSDSMR.....	P. 26
JBXHH2G12MSSDSR.....	P. 190	JBXPC0G04FSSDSR.....	P. 60	JBXPC1G02MSSDSR.....	P. 26
JBXHH2G16FCNDSR.....	P. 200	JBXPC0G04MCNDSMR.....	P. 60	JBXPC1G03FCNDSMR.....	P. 42
JBXHH2G16FCSDSR.....	P. 200	JBXPC0G04MCNDSR.....	P. 60	JBXPC1G03FCNDSR.....	P. 42
JBXHH2G16FSNDSR.....	P. 200	JBXPC0G04MCSDSMR.....	P. 60	JBXPC1G03FCSDSMR.....	P. 42
JBXHH2G16FSSDSR.....	P. 200	JBXPC0G04MCSDSR.....	P. 60	JBXPC1G03FCSDSR.....	P. 42
JBXHH2G16MCNDSR.....	P. 200	JBXPC0G04MSNDSMR.....	P. 60	JBXPC1G03FSNDSMR.....	P. 42
JBXHH2G16MCSDSR.....	P. 200	JBXPC0G04MSNDSR.....	P. 60	JBXPC1G03FSNDSR.....	P. 42
JBXHH2G16MSNDSR.....	P. 200	JBXPC0G04MSSDSMR.....	P. 60	JBXPC1G03FSSDSMR.....	P. 42
JBXHH2G16MSSDSR.....	P. 200	JBXPC0G04MSSDSR.....	P. 60	JBXPC1G03FSSDSR.....	P. 42
JBXHH2G18FCNDSR.....	P. 206	JBXPC0G05FCNDSMR.....	P. 80	JBXPC1G03MCNDSMR.....	P. 42
JBXHH2G18FCSDSR.....	P. 206	JBXPC0G05FCNDSR.....	P. 80	JBXPC1G03MCNDSR.....	P. 42
JBXHH2G18FSNDSR.....	P. 206	JBXPC0G05FCSDSMR.....	P. 80	JBXPC1G03MCSDSMR.....	P. 42
JBXHH2G18FSSDSR.....	P. 206	JBXPC0G05FCSDSR.....	P. 80	JBXPC1G03MCSDSR.....	P. 42
JBXHH2G18MCNDSR.....	P. 206	JBXPC0G05FSNDSMR.....	P. 80	JBXPC1G03MSNDSMR.....	P. 42
JBXHH2G18MCSDSR.....	P. 206	JBXPC0G05FSNDSR.....	P. 80	JBXPC1G03MSNDSR.....	P. 42
JBXHH2G18MSNDSR.....	P. 206	JBXPC0G05FSSDSMR.....	P. 80	JBXPC1G03MSSDSMR.....	P. 42
JBXHH2G18MSSDSR.....	P. 206	JBXPC0G05FSSDSR.....	P. 80	JBXPC1G03MSSDSR.....	P. 42
JBXHH2G19FCNDSR.....	P. 216	JBXPC0G05MCNDSMR.....	P. 80	JBXPC1G04FCNDSMR.....	P. 66
JBXHH2G19FCSDSR.....	P. 216	JBXPC0G05MCNDSR.....	P. 80	JBXPC1G04FCNDSR.....	P. 66
JBXHH2G19FSNDSR.....	P. 216	JBXPC0G05MCSDSMR.....	P. 80	JBXPC1G04FCSDSMR.....	P. 66
JBXHH2G19FSSDSR.....	P. 216	JBXPC0G05MCSDSR.....	P. 80	JBXPC1G04FCSDSR.....	P. 66
JBXHH2G19MCNDSR.....	P. 216	JBXPC0G05MSNDSMR.....	P. 80	JBXPC1G04FSNDSMR.....	P. 66
JBXHH2G19MCSDSR.....	P. 216	JBXPC0G05MSNDSR.....	P. 80	JBXPC1G04FSNDSR.....	P. 66
JBXHH2G19MSNDSR.....	P. 216	JBXPC0G05MSSDSMR.....	P. 80	JBXPC1G04FSSDSMR.....	P. 66
JBXHH2G19MSSDSR.....	P. 216	JBXPC0G05MSSDSR.....	P. 80	JBXPC1G04FSSDSR.....	P. 66

JBXPC1G04MCNDSMR	P. 66	JBXPC1G08MCNDSMR	P. 138	JBXPC2G03FCNDSMR	P. 46
JBXPC1G04MCNDSR	P. 66	JBXPC1G08MCNDSR	P. 138	JBXPC2G03FCNDSR	P. 46
JBXPC1G04MCSDSMR	P. 66	JBXPC1G08MCSDSMR	P. 138	JBXPC2G03FCSDSMR	P. 46
JBXPC1G04MCSDSR	P. 66	JBXPC1G08MCSDSR	P. 138	JBXPC2G03FCSDSR	P. 46
JBXPC1G04MSNDSMR	P. 66	JBXPC1G08MSNDSMR	P. 138	JBXPC2G03FSNDSMR	P. 46
JBXPC1G04MSNDSR	P. 66	JBXPC1G08MSNDSR	P. 138	JBXPC2G03FSNDSR	P. 46
JBXPC1G04MSSDSMR	P. 66	JBXPC1G08MSSDSMR	P. 138	JBXPC2G03FSSDSMR	P. 46
JBXPC1G04MSSDSR	P. 66	JBXPC1G08MSSDSR	P. 138	JBXPC2G03FSSDSR	P. 46
JBXPC1G05FCNDSMR	P. 86	JBXPC1G10FSNDSMR	P. 164	JBXPC2G03MCNDSMR	P. 46
JBXPC1G05FCNDSR	P. 86	JBXPC1G10FSNDSR	P. 164	JBXPC2G03MCNDSR	P. 46
JBXPC1G05FCSDSMR	P. 86	JBXPC1G10FSSDSMR	P. 164	JBXPC2G03MCSDSMR	P. 46
JBXPC1G05FCSDSR	P. 86	JBXPC1G10FSSDSR	P. 164	JBXPC2G03MCSDSR	P. 46
JBXPC1G05FSNDSMR	P. 86	JBXPC1G10MSNDSMR	P. 164	JBXPC2G03MSNDSMR	P. 46
JBXPC1G05FSNDSR	P. 86	JBXPC1G10MSNDSR	P. 164	JBXPC2G03MSNDSR	P. 46
JBXPC1G05FSSDSMR	P. 86	JBXPC1G10MSSDSMR	P. 164	JBXPC2G03MSSDSMR	P. 46
JBXPC1G05FSSDSR	P. 86	JBXPC1G10MSSDSR	P. 164	JBXPC2G03MSSDSR	P. 46
JBXPC1G05MCNDSMR	P. 86	JBXPC1G12FSNDSMR	P. 184	JBXPC2G04FCNDSMR	P. 70
JBXPC1G05MCNDSR	P. 86	JBXPC1G12FSNDSR	P. 184	JBXPC2G04FCNDSR	P. 70
JBXPC1G05MCSDSMR	P. 86	JBXPC1G12FSSDSMR	P. 184	JBXPC2G04FCSDSMR	P. 70
JBXPC1G05MCSDSR	P. 86	JBXPC1G12FSSDSR	P. 184	JBXPC2G04FCSDSR	P. 70
JBXPC1G05MSNDSMR	P. 86	JBXPC1G12MSNDSMR	P. 184	JBXPC2G04FSNDSMR	P. 70
JBXPC1G05MSNDSR	P. 86	JBXPC1G12MSNDSR	P. 184	JBXPC2G04FSNDSR	P. 70
JBXPC1G05MSSDSMR	P. 86	JBXPC1G12MSSDSMR	P. 184	JBXPC2G04FSSDSMR	P. 70
JBXPC1G05MSSDSR	P. 86	JBXPC1G12MSSDSR	P. 184	JBXPC2G04FSSDSR	P. 70
JBXPC1G06FCNDSMR	P. 102	JBXPC2G001FSNDSMR	P. 148	JBXPC2G04MCNDSMR	P. 70
JBXPC1G06FCNDSR	P. 102	JBXPC2G001FSNDSR	P. 148	JBXPC2G04MCNDSR	P. 70
JBXPC1G06FCSDSMR	P. 102	JBXPC2G001FSSDSMR	P. 148	JBXPC2G04MCSDSMR	P. 70
JBXPC1G06FCSDSR	P. 102	JBXPC2G001FSSDSR	P. 148	JBXPC2G04MCSDSR	P. 70
JBXPC1G06FSNDSMR	P. 102	JBXPC2G001MSNDSMR	P. 148	JBXPC2G04MSNDSMR	P. 70
JBXPC1G06FSNDSR	P. 102	JBXPC2G001MSNDSR	P. 148	JBXPC2G04MSNDSR	P. 70
JBXPC1G06FSSDSMR	P. 102	JBXPC2G001MSSDSMR	P. 148	JBXPC2G04MSSDSMR	P. 70
JBXPC1G06FSSDSR	P. 102	JBXPC2G001MSSDSR	P. 148	JBXPC2G04MSSDSR	P. 70
JBXPC1G06MCNDSMR	P. 102	JBXPC2G002FSNDSMR	P. 158	JBXPC2G05FCNDSMR	P. 90
JBXPC1G06MCNDSR	P. 102	JBXPC2G002FSNDSR	P. 158	JBXPC2G05FCNDSR	P. 90
JBXPC1G06MCSDSMR	P. 102	JBXPC2G002FSSDSMR	P. 158	JBXPC2G05FCSDSMR	P. 90
JBXPC1G06MCSDSR	P. 102	JBXPC2G002FSSDSR	P. 158	JBXPC2G05FCSDSR	P. 90
JBXPC1G06MSNDSMR	P. 102	JBXPC2G002MSNDSMR	P. 158	JBXPC2G05FSNDSMR	P. 90
JBXPC1G06MSNDSR	P. 102	JBXPC2G002MSNDSR	P. 158	JBXPC2G05FSNDSR	P. 90
JBXPC1G06MSSDSMR	P. 102	JBXPC2G002MSSDSMR	P. 158	JBXPC2G05FSSDSMR	P. 90
JBXPC1G06MSSDSR	P. 102	JBXPC2G002MSSDSR	P. 158	JBXPC2G05FSSDSR	P. 90
JBXPC1G07FCNDSMR	P. 118	JBXPC2G003FSNDSMR	P. 174	JBXPC2G05MCNDSMR	P. 90
JBXPC1G07FCNDSR	P. 118	JBXPC2G003FSNDSR	P. 174	JBXPC2G05MCNDSR	P. 90
JBXPC1G07FCSDSMR	P. 118	JBXPC2G003FSSDSMR	P. 174	JBXPC2G05MCSDSMR	P. 90
JBXPC1G07FCSDSR	P. 118	JBXPC2G003FSSDSR	P. 174	JBXPC2G05MCSDSR	P. 90
JBXPC1G07FSNDSMR	P. 118	JBXPC2G003MSNDSMR	P. 174	JBXPC2G05MSNDSMR	P. 90
JBXPC1G07FSNDSR	P. 118	JBXPC2G003MSNDSR	P. 174	JBXPC2G05MSNDSR	P. 90
JBXPC1G07FSSDSMR	P. 118	JBXPC2G003MSSDSMR	P. 174	JBXPC2G05MSSDSMR	P. 90
JBXPC1G07FSSDSR	P. 118	JBXPC2G003MSSDSR	P. 174	JBXPC2G05MSSDSR	P. 90
JBXPC1G07MCNDSMR	P. 118	JBXPC2G02FCNDSMR	P. 30	JBXPC2G06FCNDSMR	P. 106
JBXPC1G07MCNDSR	P. 118	JBXPC2G02FCNDSR	P. 30	JBXPC2G06FCNDSR	P. 106
JBXPC1G07MCSDSMR	P. 118	JBXPC2G02FCSDSMR	P. 30	JBXPC2G06FCSDSMR	P. 106
JBXPC1G07MCSDSR	P. 118	JBXPC2G02FCSDSR	P. 30	JBXPC2G06FCSDSR	P. 106
JBXPC1G07MSNDSMR	P. 118	JBXPC2G02FSNDSMR	P. 30	JBXPC2G06FSNDSMR	P. 106
JBXPC1G07MSNDSR	P. 118	JBXPC2G02FSNDSR	P. 30	JBXPC2G06FSNDSR	P. 106
JBXPC1G07MSSDSMR	P. 118	JBXPC2G02FSSDSMR	P. 30	JBXPC2G06FSSDSMR	P. 106
JBXPC1G07MSSDSR	P. 118	JBXPC2G02FSSDSR	P. 30	JBXPC2G06FSSDSR	P. 106
JBXPC1G08FCNDSMR	P. 138	JBXPC2G02MCNDSMR	P. 30	JBXPC2G06MCNDSMR	P. 106
JBXPC1G08FCNDSR	P. 138	JBXPC2G02MCNDSR	P. 30	JBXPC2G06MCNDSR	P. 106
JBXPC1G08FCSDSMR	P. 138	JBXPC2G02MCSDSMR	P. 30	JBXPC2G06MCSDSMR	P. 106
JBXPC1G08FCSDSR	P. 138	JBXPC2G02MCSDSR	P. 30	JBXPC2G06MCSDSR	P. 106
JBXPC1G08FSNDSMR	P. 138	JBXPC2G02MSNDSMR	P. 30	JBXPC2G06MSNDSMR	P. 106
JBXPC1G08FSNDSR	P. 138	JBXPC2G02MSNDSR	P. 30	JBXPC2G06MSNDSR	P. 106
JBXPC1G08FSSDSMR	P. 138	JBXPC2G02MSSDSMR	P. 30	JBXPC2G06MSSDSMR	P. 106
JBXPC1G08FSSDSR	P. 138	JBXPC2G02MSSDSR	P. 30	JBXPC2G06MSSDSR	P. 106



Part Number Index (Continued)

JBXPC2G07FCNDSMR.....	P. 122	JBXPC2G16FCNDSMR.....	P. 198	JBXSA2G04FCNDS.....	P. 70
JBXPC2G07FCNDSR.....	P. 122	JBXPC2G16FCNDSR.....	P. 198	JBXSA2G04FCNDSM.....	P. 70
JBXPC2G07FCSDSMR.....	P. 122	JBXPC2G16FCSDSMR.....	P. 198	JBXSA2G04FCSDS.....	P. 70
JBXPC2G07FCSDSR.....	P. 122	JBXPC2G16FCSDSR.....	P. 198	JBXSA2G04FCSDSM.....	P. 70
JBXPC2G07FSNDSMR.....	P. 122	JBXPC2G16FSNDSMR.....	P. 198	JBXSA2G04MCNDS.....	P. 70
JBXPC2G07FSNDSR.....	P. 122	JBXPC2G16FSNDSR.....	P. 198	JBXSA2G04MCNDSM.....	P. 70
JBXPC2G07FSSDSMR.....	P. 122	JBXPC2G16FSSDSMR.....	P. 198	JBXSA2G04MCSDS.....	P. 70
JBXPC2G07FSSDSR.....	P. 122	JBXPC2G16FSSDSR.....	P. 198	JBXSA2G04MCSDSM.....	P. 70
JBXPC2G07MCNDSMR.....	P. 122	JBXPC2G16MCNDSMR.....	P. 198	JBXSA2G05FCNDS.....	P. 90
JBXPC2G07MCNDSR.....	P. 122	JBXPC2G16MCNDSR.....	P. 198	JBXSA2G05FCNDSM.....	P. 90
JBXPC2G07MCSDSMR.....	P. 122	JBXPC2G16MCSDSMR.....	P. 198	JBXSA2G05FCSDS.....	P. 90
JBXPC2G07MCSDSR.....	P. 122	JBXPC2G16MCSDSR.....	P. 198	JBXSA2G05FCSDSM.....	P. 90
JBXPC2G07MCSNDSMR.....	P. 122	JBXPC2G16MCSNDSMR.....	P. 198	JBXSA2G05MCNDS.....	P. 90
JBXPC2G07MCSNDSR.....	P. 122	JBXPC2G16MCSNDSR.....	P. 198	JBXSA2G05MCNDSM.....	P. 90
JBXPC2G07MSSDSMR.....	P. 122	JBXPC2G16MSSDSMR.....	P. 198	JBXSA2G05MCSDS.....	P. 90
JBXPC2G07MSSDSR.....	P. 122	JBXPC2G16MSSDSR.....	P. 198	JBXSA2G05MCSDSM.....	P. 90
JBXPC2G08FCNDSMR.....	P. 142	JBXPC2G18FCNDSMR.....	P. 204	JBXSA2G06FCNDS.....	P. 106
JBXPC2G08FCNDSR.....	P. 142	JBXPC2G18FCNDSR.....	P. 204	JBXSA2G06FCNDSM.....	P. 106
JBXPC2G08FCSDSMR.....	P. 142	JBXPC2G18FCSDSMR.....	P. 204	JBXSA2G06FCSDS.....	P. 106
JBXPC2G08FCSDSR.....	P. 142	JBXPC2G18FCSDSR.....	P. 204	JBXSA2G06FCSDSM.....	P. 106
JBXPC2G08FSNDSMR.....	P. 142	JBXPC2G18FSNDSMR.....	P. 204	JBXSA2G06MCNDS.....	P. 106
JBXPC2G08FSNDSR.....	P. 142	JBXPC2G18FSNDSR.....	P. 204	JBXSA2G06MCNDSM.....	P. 106
JBXPC2G08FSSDSMR.....	P. 142	JBXPC2G18FSSDSMR.....	P. 204	JBXSA2G06MCSDS.....	P. 106
JBXPC2G08FSSDSR.....	P. 142	JBXPC2G18FSSDSR.....	P. 204	JBXSA2G06MCSDSM.....	P. 106
JBXPC2G08MCNDSMR.....	P. 142	JBXPC2G18MCNDSMR.....	P. 204	JBXSA2G07FCNDS.....	P. 122
JBXPC2G08MCNDSR.....	P. 142	JBXPC2G18MCNDSR.....	P. 204	JBXSA2G07FCNDSM.....	P. 122
JBXPC2G08MCSDSMR.....	P. 142	JBXPC2G18MCSDSMR.....	P. 204	JBXSA2G07FCSDS.....	P. 122
JBXPC2G08MCSDSR.....	P. 142	JBXPC2G18MCSDSR.....	P. 204	JBXSA2G07FCSDSM.....	P. 122
JBXPC2G08MNSNDSMR.....	P. 142	JBXPC2G18MNSNDSMR.....	P. 204	JBXSA2G07MCNDS.....	P. 122
JBXPC2G08MNSNDSR.....	P. 142	JBXPC2G18MNSNDSR.....	P. 204	JBXSA2G07MCNDSM.....	P. 122
JBXPC2G08MSSDSMR.....	P. 142	JBXPC2G18MSSDSMR.....	P. 204	JBXSA2G07MCSDS.....	P. 122
JBXPC2G08MSSDSR.....	P. 142	JBXPC2G18MSSDSR.....	P. 204	JBXSA2G07MCSDSM.....	P. 122
JBXPC2G10FCNDSMR.....	P. 168	JBXPC2G19FCNDSMR.....	P. 214	JBXSA2G08FCNDS.....	P. 142
JBXPC2G10FCNDSR.....	P. 168	JBXPC2G19FCNDSR.....	P. 214	JBXSA2G08FCNDSM.....	P. 142
JBXPC2G10FCSDSMR.....	P. 168	JBXPC2G19FCSDSMR.....	P. 214	JBXSA2G08FCSDS.....	P. 142
JBXPC2G10FCSDSR.....	P. 168	JBXPC2G19FCSDSR.....	P. 214	JBXSA2G08FCSDSM.....	P. 142
JBXPC2G10FSNDSMR.....	P. 168	JBXPC2G19FSNDSMR.....	P. 214	JBXSA2G08MCNDS.....	P. 142
JBXPC2G10FSNDSR.....	P. 168	JBXPC2G19FSNDSR.....	P. 214	JBXSA2G08MCNDSM.....	P. 142
JBXPC2G10FSSDSMR.....	P. 168	JBXPC2G19FSSDSMR.....	P. 214	JBXSA2G08MCSDS.....	P. 142
JBXPC2G10FSSDSR.....	P. 168	JBXPC2G19FSSDSR.....	P. 214	JBXSA2G08MCSDSM.....	P. 142
JBXPC2G10MCNDSMR.....	P. 168	JBXPC2G19MCNDSMR.....	P. 214	JBXSA2G10FCNDS.....	P. 168
JBXPC2G10MCNDSR.....	P. 168	JBXPC2G19MCNDSR.....	P. 214	JBXSA2G10FCNDSM.....	P. 168
JBXPC2G10MCSDSMR.....	P. 168	JBXPC2G19MCSDSMR.....	P. 214	JBXSA2G10FCSDS.....	P. 168
JBXPC2G10MCSDSR.....	P. 168	JBXPC2G19MCSDSR.....	P. 214	JBXSA2G10FCSDSM.....	P. 168
JBXPC2G10MNSNDSMR.....	P. 168	JBXPC2G19MNSNDSMR.....	P. 214	JBXSA2G10MCNDS.....	P. 168
JBXPC2G10MNSNDSR.....	P. 168	JBXPC2G19MNSNDSR.....	P. 214	JBXSA2G10MCNDSM.....	P. 168
JBXPC2G10MSSDSMR.....	P. 168	JBXPC2G19MSSDSMR.....	P. 214	JBXSA2G10MCSDS.....	P. 168
JBXPC2G10MSSDSR.....	P. 168	JBXPC2G19MSSDSR.....	P. 214	JBXSA2G10MCSDSM.....	P. 168
JBXPC2G12FCNDSMR.....	P. 188	JBXSA2G02FCNDS.....	P. 30	JBXSA2G12FCNDS.....	P. 188
JBXPC2G12FCNDSR.....	P. 188	JBXSA2G02FCNDSM.....	P. 30	JBXSA2G12FCNDSM.....	P. 188
JBXPC2G12FCSDSMR.....	P. 188	JBXSA2G02FCSDS.....	P. 30	JBXSA2G12FCSDS.....	P. 188
JBXPC2G12FCSDSR.....	P. 188	JBXSA2G02FCSDSM.....	P. 30	JBXSA2G12FCSDSM.....	P. 188
JBXPC2G12FSNDSMR.....	P. 188	JBXSA2G02MCNDS.....	P. 30	JBXSA2G12MCNDS.....	P. 188
JBXPC2G12FSNDSR.....	P. 188	JBXSA2G02MCNDSM.....	P. 30	JBXSA2G12MCNDSM.....	P. 188
JBXPC2G12FSSDSMR.....	P. 188	JBXSA2G02MCSDS.....	P. 30	JBXSA2G12MCSDS.....	P. 188
JBXPC2G12FSSDSR.....	P. 188	JBXSA2G02MCSDSM.....	P. 30	JBXSA2G12MCSDSM.....	P. 188
JBXPC2G12MCNDSMR.....	P. 188	JBXSA2G03FCNDS.....	P. 46	JBXSA2G16FCNDS.....	P. 198
JBXPC2G12MCNDSR.....	P. 188	JBXSA2G03FCNDSM.....	P. 46	JBXSA2G16FCNDSM.....	P. 198
JBXPC2G12MCSDSMR.....	P. 188	JBXSA2G03FCSDS.....	P. 46	JBXSA2G16FCSDS.....	P. 198
JBXPC2G12MCSDSR.....	P. 188	JBXSA2G03FCSDSM.....	P. 46	JBXSA2G16FCSDSM.....	P. 198
JBXPC2G12MNSNDSMR.....	P. 188	JBXSA2G03MCNDS.....	P. 46	JBXSA2G16MCNDS.....	P. 198
JBXPC2G12MNSNDSR.....	P. 188	JBXSA2G03MCNDSM.....	P. 46	JBXSA2G16MCNDSM.....	P. 198
JBXPC2G12MSSDSMR.....	P. 188	JBXSA2G03MCSDS.....	P. 46	JBXSA2G16MCSDS.....	P. 198
JBXPC2G12MSSDSR.....	P. 188	JBXSA2G03MCSDSM.....	P. 46	JBXSA2G16MCSDSM.....	P. 198

JBXSA2G18FCNDS . . . . .	P. 204	JBXSR1G04FSNDSMR . . . . .	P. 66	JBXSR3G04FSNDSMR . . . . .	P. 76
JBXSA2G18FCNDSM . . . . .	P. 204	JBXSR1G04FSNDSR . . . . .	P. 66	JBXSR3G04FSNDSR . . . . .	P. 76
JBXSA2G18FCSDS . . . . .	P. 204	JBXSR1G04FSSDSMR . . . . .	P. 66	JBXSR3G04FSSDSMR . . . . .	P. 76
JBXSA2G18FCSDSM . . . . .	P. 204	JBXSR1G04FSSDSR . . . . .	P. 66	JBXSR3G04FSSDSR . . . . .	P. 76
JBXSA2G18MCNDS . . . . .	P. 204	JBXSR1G04MSNDSMR . . . . .	P. 66	JBXSR3G04MSNDSMR . . . . .	P. 76
JBXSA2G18MCNDSM . . . . .	P. 204	JBXSR1G04MSNDSR . . . . .	P. 66	JBXSR3G04MSNDSR . . . . .	P. 76
JBXSA2G18MCSDS . . . . .	P. 204	JBXSR1G04MSSDSMR . . . . .	P. 66	JBXSR3G04MSSDSMR . . . . .	P. 76
JBXSA2G18MCSDSM . . . . .	P. 204	JBXSR1G04MSSDSR . . . . .	P. 66	JBXSR3G04MSSDSR . . . . .	P. 76
JBXSA2G19FCNDS . . . . .	P. 214	JBXSR1G05FSNDSMR . . . . .	P. 86	JBXSR3G07FSNDSMR . . . . .	P. 128
JBXSA2G19FCNDSM . . . . .	P. 214	JBXSR1G05FSNDSR . . . . .	P. 86	JBXSR3G07FSNDSR . . . . .	P. 128
JBXSA2G19FCSDS . . . . .	P. 214	JBXSR1G05FSSDSMR . . . . .	P. 86	JBXSR3G07FSSDSMR . . . . .	P. 128
JBXSA2G19FCSDSM . . . . .	P. 214	JBXSR1G05FSSDSR . . . . .	P. 86	JBXSR3G07FSSDSR . . . . .	P. 128
JBXSA2G19MCNDS . . . . .	P. 214	JBXSR1G05MSNDSMR . . . . .	P. 86	JBXSR3G07MSNDSMR . . . . .	P. 128
JBXSA2G19MCNDSM . . . . .	P. 214	JBXSR1G05MSNDSR . . . . .	P. 86	JBXSR3G07MSNDSR . . . . .	P. 128
JBXSA2G19MCSDS . . . . .	P. 214	JBXSR1G05MSSDSMR . . . . .	P. 86	JBXSR3G07MSSDSMR . . . . .	P. 128
JBXSA2G19MCSDSM . . . . .	P. 214	JBXSR1G05MSSDSR . . . . .	P. 86	JBXSR3G07MSSDSR . . . . .	P. 128
JBXSR0G02FCNDSMR . . . . .	P. 20	JBXSR1G06FSNDSMR . . . . .	P. 102	JBXSR3G08FSNDSMR . . . . .	P. 154
JBXSR0G02FCNDSR . . . . .	P. 20	JBXSR1G06FSNDSR . . . . .	P. 102	JBXSR3G08FSNDSR . . . . .	P. 154
JBXSR0G02FCSDS . . . . .	P. 20	JBXSR1G06FSSDSMR . . . . .	P. 102	JBXSR3G08FSSDSMR . . . . .	P. 154
JBXSR0G02FCSDS . . . . .	P. 20	JBXSR1G06FSSDSR . . . . .	P. 102	JBXSR3G08FSSDSR . . . . .	P. 154
JBXSR0G02MCNDSMR . . . . .	P. 20	JBXSR1G06MSNDSMR . . . . .	P. 102	JBXSR3G08MSNDSMR . . . . .	P. 154
JBXSR0G02MCNDSR . . . . .	P. 20	JBXSR1G06MSNDSR . . . . .	P. 102	JBXSR3G08MSNDSR . . . . .	P. 154
JBXSR0G02MCSDSMR . . . . .	P. 20	JBXSR1G06MSSDSMR . . . . .	P. 102	JBXSR3G08MSSDSMR . . . . .	P. 154
JBXSR0G02MCSDSR . . . . .	P. 20	JBXSR1G06MSSDSR . . . . .	P. 102	JBXSR3G08MSSDSR . . . . .	P. 154
JBXSR0G03FCNDSMR . . . . .	P. 36	JBXSR1G07FSNDSMR . . . . .	P. 118	JBXSR3G10FSNDSMR . . . . .	P. 180
JBXSR0G03FCNDSR . . . . .	P. 36	JBXSR1G07FSNDSR . . . . .	P. 118	JBXSR3G10FSNDSR . . . . .	P. 180
JBXSR0G03FCSDS . . . . .	P. 36	JBXSR1G07FSSDSMR . . . . .	P. 118	JBXSR3G10FSSDSMR . . . . .	P. 180
JBXSR0G03FCSDS . . . . .	P. 36	JBXSR1G07FSSDSR . . . . .	P. 118	JBXSR3G10FSSDSR . . . . .	P. 180
JBXSR0G03MCNDSMR . . . . .	P. 36	JBXSR1G07MSNDSMR . . . . .	P. 118	JBXSR3G10MSNDSMR . . . . .	P. 180
JBXSR0G03MCNDSR . . . . .	P. 36	JBXSR1G07MSNDSR . . . . .	P. 118	JBXSR3G10MSNDSR . . . . .	P. 180
JBXSR0G03MCSDSMR . . . . .	P. 36	JBXSR1G07MSSDSMR . . . . .	P. 118	JBXSR3G10MSSDSMR . . . . .	P. 180
JBXSR0G03MCSDSR . . . . .	P. 36	JBXSR1G07MSSDSR . . . . .	P. 118	JBXSR3G10MSSDSR . . . . .	P. 180
JBXSR0G04FCNDSMR . . . . .	P. 60	JBXSR1G08FSNDSMR . . . . .	P. 138	JBXSR3G14FSNDSMR . . . . .	P. 194
JBXSR0G04FCNDSR . . . . .	P. 60	JBXSR1G08FSNDSR . . . . .	P. 138	JBXSR3G14FSNDSR . . . . .	P. 194
JBXSR0G04FCSDS . . . . .	P. 60	JBXSR1G08FSSDSMR . . . . .	P. 138	JBXSR3G14FSSDSMR . . . . .	P. 194
JBXSR0G04FCSDS . . . . .	P. 60	JBXSR1G08FSSDSR . . . . .	P. 138	JBXSR3G14FSSDSR . . . . .	P. 194
JBXSR0G04MCNDSMR . . . . .	P. 60	JBXSR1G08MSNDSMR . . . . .	P. 138	JBXSR3G14MSNDSMR . . . . .	P. 194
JBXSR0G04MCNDSR . . . . .	P. 60	JBXSR1G08MSNDSR . . . . .	P. 138	JBXSR3G14MSNDSR . . . . .	P. 194
JBXSR0G04MCSDSMR . . . . .	P. 60	JBXSR1G08MSSDSMR . . . . .	P. 138	JBXSR3G14MSSDSMR . . . . .	P. 194
JBXSR0G04MCSDSR . . . . .	P. 60	JBXSR1G08MSSDSR . . . . .	P. 138	JBXSR3G14MSSDSR . . . . .	P. 194
JBXSR0G05FCNDSMR . . . . .	P. 80	JBXSR1G10FSNDSMR . . . . .	P. 164	JBXSR3G18FSNDSMR . . . . .	P. 210
JBXSR0G05FCNDSR . . . . .	P. 80	JBXSR1G10FSNDSR . . . . .	P. 164	JBXSR3G18FSNDSR . . . . .	P. 210
JBXSR0G05FCSDS . . . . .	P. 80	JBXSR1G10FSSDSMR . . . . .	P. 164	JBXSR3G18FSSDSMR . . . . .	P. 210
JBXSR0G05FCSDS . . . . .	P. 80	JBXSR1G10FSSDSR . . . . .	P. 164	JBXSR3G18FSSDSR . . . . .	P. 210
JBXSR0G05MCNDSMR . . . . .	P. 80	JBXSR1G10MSNDSMR . . . . .	P. 164	JBXSR3G18MSNDSMR . . . . .	P. 210
JBXSR0G05MCNDSR . . . . .	P. 80	JBXSR1G10MSNDSR . . . . .	P. 164	JBXSR3G18MSNDSR . . . . .	P. 210
JBXSR0G05MCSDSMR . . . . .	P. 80	JBXSR1G10MSSDSMR . . . . .	P. 164	JBXSR3G18MSSDSMR . . . . .	P. 210
JBXSR0G05MCSDSR . . . . .	P. 80	JBXSR1G10MSSDSR . . . . .	P. 164	JBXSR3G18MSSDSR . . . . .	P. 210
JBXSR1G02FSNDSMR . . . . .	P. 26	JBXSR1G12FSNDSMR . . . . .	P. 184	JBXSR3G22FSNDSMR . . . . .	P. 220
JBXSR1G02FSNDSR . . . . .	P. 26	JBXSR1G12FSNDSR . . . . .	P. 184	JBXSR3G22FSNDSR . . . . .	P. 220
JBXSR1G02FSSDSMR . . . . .	P. 26	JBXSR1G12FSSDSMR . . . . .	P. 184	JBXSR3G22FSSDSMR . . . . .	P. 220
JBXSR1G02FSSDSR . . . . .	P. 26	JBXSR1G12FSSDSR . . . . .	P. 184	JBXSR3G22FSSDSR . . . . .	P. 220
JBXSR1G02MSNDSMR . . . . .	P. 26	JBXSR1G12MSNDSMR . . . . .	P. 184	JBXSR3G22MSNDSMR . . . . .	P. 220
JBXSR1G02MSNDSR . . . . .	P. 26	JBXSR1G12MSNDSR . . . . .	P. 184	JBXSR3G22MSNDSR . . . . .	P. 220
JBXSR1G02MSSDSMR . . . . .	P. 26	JBXSR1G12MSSDSMR . . . . .	P. 184	JBXSR3G22MSSDSMR . . . . .	P. 220
JBXSR1G02MSSDSR . . . . .	P. 26	JBXSR1G12MSSDSR . . . . .	P. 184	JBXSR3G22MSSDSR . . . . .	P. 220
JBXSR1G03FSNDSMR . . . . .	P. 42	JBXSR3G03FSNDSMR . . . . .	P. 52	JBXSR3G30FSNDSMR . . . . .	P. 224
JBXSR1G03FSNDSR . . . . .	P. 42	JBXSR3G03FSNDSR . . . . .	P. 52	JBXSR3G30FSNDSR . . . . .	P. 224
JBXSR1G03FSSDSMR . . . . .	P. 42	JBXSR3G03FSSDSMR . . . . .	P. 52	JBXSR3G30FSSDSMR . . . . .	P. 224
JBXSR1G03FSSDSR . . . . .	P. 42	JBXSR3G03FSSDSR . . . . .	P. 52	JBXSR3G30FSSDSR . . . . .	P. 224
JBXSR1G03MSNDSMR . . . . .	P. 42	JBXSR3G03MSNDSMR . . . . .	P. 52	JBXSR3G30MSNDSMR . . . . .	P. 224
JBXSR1G03MSNDSR . . . . .	P. 42	JBXSR3G03MSNDSR . . . . .	P. 52	JBXSR3G30MSNDSR . . . . .	P. 224
JBXSR1G03MSSDSMR . . . . .	P. 42	JBXSR3G03MSSDSMR . . . . .	P. 52	JBXSR3G30MSSDSMR . . . . .	P. 224
JBXSR1G03MSSDSR . . . . .	P. 42	JBXSR3G03MSSDSR . . . . .	P. 52	JBXSR3G30MSSDSR . . . . .	P. 224

Part Number Index (Continued)

**Accessories**

JAXRA00251..... P. 18  
 JBX00MPA..... P. 18  
 JBX00MPB..... P. 18  
 JBX00MPG..... P. 18  
 JBX00MPJ..... P. 18  
 JBX00MPM..... P. 18  
 JBX00MPN..... P. 18  
 JBX00MPO..... P. 18  
 JBX00MPR..... P. 18  
 JBX00MPV..... P. 18  
 JBX00RIA..... P. 18  
 JBX00RIB..... P. 18  
 JBX00RIG..... P. 18  
 JBX00RIJ..... P. 18  
 JBX00RIM..... P. 18  
 JBX00RIN..... P. 18  
 JBX00RIO..... P. 18  
 JBX00RIR..... P. 18  
 JBX00RIV..... P. 18  
 JBXBF00..... P. 18  
 JBXBR00..... P. 18  
 JAXRA0251..... P. 24  
 JBX0MPA..... P. 24  
 JBX0MPB..... P. 24  
 JBX0MPG..... P. 24  
 JBX0MPJ..... P. 24  
 JBX0MPM..... P. 24  
 JBX0MPN..... P. 24  
 JBX0MPO..... P. 24  
 JBX0MPR..... P. 24  
 JBX0MPV..... P. 24  
 JBX0RIA..... P. 24  
 JBX0RIB..... P. 24  
 JBX0RIG..... P. 24  
 JBX0RIJ..... P. 24  
 JBX0RIM..... P. 24  
 JBX0RIN..... P. 24  
 JBX0RIO..... P. 24  
 JBX0RIR..... P. 24  
 JBX0RIV..... P. 24  
 JBXBF0..... P. 24  
 JBXBR0..... P. 24  
 JAXRA1251..... P. 28  
 JBX1MPA..... P. 28  
 JBX1MPB..... P. 28  
 JBX1MPG..... P. 28  
 JBX1MPJ..... P. 28  
 JBX1MPM..... P. 28  
 JBX1MPN..... P. 28  
 JBX1MPO..... P. 28  
 JBX1MPR..... P. 28  
 JBX1MPV..... P. 28  
 JBX1RIA..... P. 28  
 JBX1RIB..... P. 28  
 JBX1RIG..... P. 28  
 JBX1RIJ..... P. 28  
 JBX1RIM..... P. 28  
 JBX1RIN..... P. 28  
 JBX1RIO..... P. 28  
 JBX1RIR..... P. 28  
 JBX1RIV..... P. 28  
 JBXBF1..... P. 28  
 JBXBR1..... P. 28

JAXRA2251..... P. 34  
 JBX2MPA..... P. 34  
 JBX2MPB..... P. 34  
 JBX2MPG..... P. 34  
 JBX2MPJ..... P. 34  
 JBX2MPM..... P. 34  
 JBX2MPN..... P. 34  
 JBX2MPO..... P. 34  
 JBX2MPR..... P. 34  
 JBX2MPV..... P. 34  
 JBX2RIA..... P. 34  
 JBX2RIB..... P. 34  
 JBX2RIG..... P. 34  
 JBX2RIJ..... P. 34  
 JBX2RIM..... P. 34  
 JBX2RIN..... P. 34  
 JBX2RIO..... P. 34  
 JBX2RIR..... P. 34  
 JBX2RIV..... P. 34  
 JBXBF2..... P. 34  
 JBXBR2..... P. 34  
 JAXRA3251..... P. 52  
 JBX3MPA..... P. 52  
 JBX3MPB..... P. 52  
 JBX3MPG..... P. 52  
 JBX3MPJ..... P. 52  
 JBX3MPM..... P. 52  
 JBX3MPN..... P. 52  
 JBX3MPO..... P. 52  
 JBX3MPR..... P. 52  
 JBX3MPV..... P. 52  
 JBX3RIA..... P. 52  
 JBX3RIB..... P. 52  
 JBX3RIG..... P. 52  
 JBX3RIJ..... P. 52  
 JBX3RIM..... P. 52  
 JBX3RIN..... P. 52  
 JBX3RIO..... P. 52  
 JBX3RIR..... P. 52  
 JBX3RIV..... P. 52  
 JBXBF3..... P. 52  
 JBXBR3..... P. 52

**Contacts**

JBX0CTFC07..... P. 232  
 JBX0CTFC09..... P. 232  
 JBX0CTMC07..... P. 232  
 JBX0CTMC09..... P. 232  
 JBX0STFC07..... P. 231  
 JBX0STFC09..... P. 231  
 JBX0STMC07..... P. 231  
 JBX0STMC09..... P. 231  
 JBX1CTFC07..... P. 232  
 JBX1CTFC09..... P. 232  
 JBX1CTFC13..... P. 232  
 JBX1CTMC07..... P. 232  
 JBX1CTMC09..... P. 232  
 JBX1CTMC13..... P. 232  
 JBX1STFC07..... P. 231  
 JBX1STFC09..... P. 231  
 JBX1STFC13..... P. 231  
 JBX1STMC07..... P. 231  
 JBX1STMC09..... P. 231  
 JBX1STMC13..... P. 231

JBX2CTFC07..... P. 232  
 JBX2CTFC09..... P. 232  
 JBX2CTFC13..... P. 232  
 JBX2CTFC16..... P. 232  
 JBX2CTFC20..... P. 232  
 JBX2CTMC07..... P. 232  
 JBX2CTMC09..... P. 232  
 JBX2CTMC13..... P. 232  
 JBX2CTMC16..... P. 232  
 JBX2CTMC20..... P. 232  
 JBX2STFC07..... P. 231  
 JBX2STFC09..... P. 231  
 JBX2STFC13..... P. 231  
 JBX2STFC16..... P. 231  
 JBX2STFC20..... P. 231  
 JBX2STMC07..... P. 231  
 JBX2STMC09..... P. 231  
 JBX2STMC13..... P. 231  
 JBX2STMC16..... P. 231  
 JBX2STMC20..... P. 231  
 JBX3CTFC07..... P. 232  
 JBX3CTFC09..... P. 232  
 JBX3CTFC13..... P. 232  
 JBX3CTFC16..... P. 232  
 JBX3CTFC20..... P. 232  
 JBX3CTMC07..... P. 232  
 JBX3CTMC09..... P. 232  
 JBX3CTMC13..... P. 232  
 JBX3CTMC16..... P. 232  
 JBX3CTMC20..... P. 232  
 JBX3STFC07..... P. 231  
 JBX3STFC09..... P. 231  
 JBX3STFC13..... P. 231  
 JBX3STFC16..... P. 231  
 JBX3STFC20..... P. 231  
 JBX3STMC07..... P. 231  
 JBX3STMC09..... P. 231  
 JBX3STMC13..... P. 231  
 JBX3STMC16..... P. 231  
 JBX3STMC20..... P. 231

**Tooling**

JBX00UTLP07..... P. 235  
 JBX00UTLP09..... P. 235  
 JBX10UTLP13..... P. 235  
 JBX20UTLP16..... P. 235  
 JBX20UTLP20..... P. 235  
 JBXOUTDC07..... P. 235  
 JBXOUTDC09..... P. 235  
 JBXOUTDC13..... P. 235  
 JBXOUTDC16..... P. 235  
 JBXOUTDC20..... P. 235  
 MIL - 22520/1-01..... P. 235  
 MIL - 22520/7-01..... P. 235





# Reliable People, Reliable Solutions



Your local contact



Our contribution to environmental protection:  
This catalog is printed on PEFC certified paper  
Advancement of sustainable wood cultivation. [www.pefc.org](http://www.pefc.org)

[www.souriau-industrial.com](http://www.souriau-industrial.com)  
[contactindustry@souriau.com](mailto:contactindustry@souriau.com)

**Esterline**  
Connection Technologies

**SOURIAU**